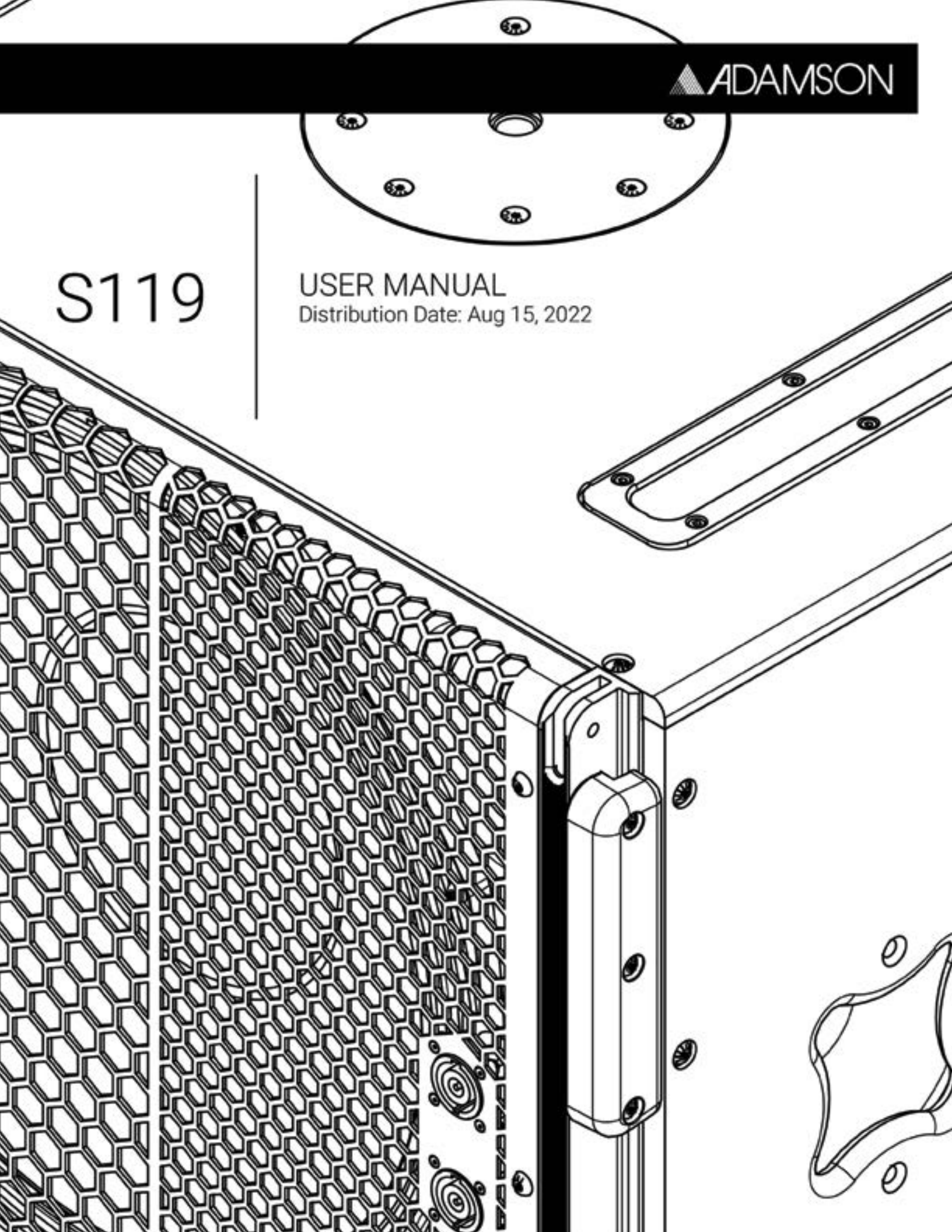


S119

USER MANUAL

Distribution Date: Aug 15, 2022



# S119 User Manual

Distribution Date: August 15, 2022

Copyright 2022 by Adamson Systems Engineering Inc.; all rights reserved

This manual must be accessible to the person operating this product. As such, the product owner must store it in a safe place and make it available upon request to any operator.

This manual can be downloaded from

<https://adamsonsystems.com/support/downloads-directory/s-series/s119>

## Declarations

### EU Declaration of Conformity

Adamson Systems Engineering declares that the products stated below are in conformance with the relevant fundamental health and safety criteria of the applicable EC Directive(s), in particular:

#### Directive 2014/35/EU: Low Voltage Directive

994-0002 S119

#### Directive 2006/42/EC: Machinery Directive

930-0020 Sub-Compact Support Frame

930-0021 Extended Beam

930-0033 Moving Point Extended Beam

931-0010 Sub-Compact Underhang Adapter Kit

932-0043 Extended Lifting Plates

932-0047 Line Array H-Clamp



Signed at Port Perry, ON, CA - August 15, 2022

A handwritten signature in blue ink, appearing to read 'Brock Adamson', is written over a horizontal dashed line.

Brock Adamson (President & CEO)

ADAMSON SYSTEMS ENGINEERING, Inc.

1401 Scugog Line 6

Port Perry, Ontario, Canada

L9L 0C3

T: +1 905 982 0520, F: +1 905 982 0609

Email: [info@adamsonsystems.com](mailto:info@adamsonsystems.com)

Website: [www.adamsonsystems.com](http://www.adamsonsystems.com)

# Table of Contents

|    |                                       |   |
|----|---------------------------------------|---|
| 1. | <a href="#">Safety &amp; Warnings</a> | 3 |
| 2. | <a href="#">Product Introduction</a>  | 4 |
| 3. | <a href="#">Wiring</a>                | 5 |
| 4. | <a href="#">Amplification</a>         | 6 |
| 5. | <a href="#">Presets</a>               | 7 |
| 6. | <a href="#">Technical Data</a>        | 8 |
| 7. | <a href="#">Accessories</a>           | 9 |

## Safety & Warnings



Read these instructions, keep them available for reference.

This manual can be downloaded from

<https://adamsonsystems.com/support/downloads-directory/s-series/s119>



Heed all warnings and follow all instructions.



A qualified technician must be present during the installation and use of this product. This product is capable of producing extremely high sound pressure levels and should be used according to the specified local sound level regulations and good judgement. Adamson Systems Engineering will not be liable for damages caused by any possible misuse of this product.



Servicing is required when the loudspeaker has been damaged in any way, such as when the loudspeaker has been dropped; or when for undetermined reasons the loudspeaker does not operate normally. Inspect your products regularly for any visual or functionality irregularities.

Protect the cabling from being walked on or pinched.

View the S-Series Rigging Tutorial video and/or read the S-Series Rigging Manual before suspending the product.

Pay attention to rigging instructions included in both Blueprint and the S-Series Rigging Manual.

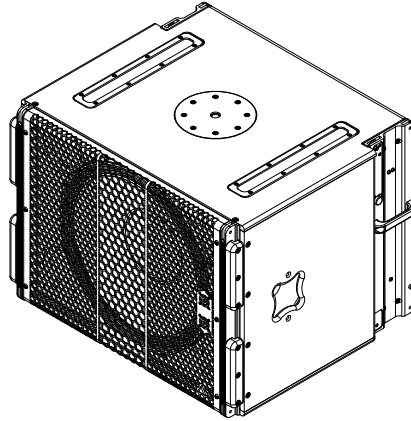
Use only with the rigging frames/accessories specified by Adamson, or sold with the loudspeaker system.

This speaker enclosure is capable of creating a strong magnetic field. Please use caution around the enclosure with data storage devices such as hard drives.

In an effort to continuously improve its products, Adamson releases updated accompanying software, presets and standards for its products. **Adamson reserves the right to change the specifications of its products and the content of its documents with no prior notice.**

# S119

## S119 Sub-Compact Subwoofer



- The S119 is a sub-compact subwoofer enclosure designed for extended LF capabilities. It contains one ND19-S 19" LF driver.
- Up to 20 S119 can be flown when using the Sub-Compact Support Frame.
- The S119 can be flown in the same array as the S10 without the need for additional rigging hardware between the two types of cabinets.
- Adamson's use of proprietary technologies such as Advanced Cone Architecture give the S119 an extremely high maximum SPL level of 138 dB.
- The nominal impedance of the S119 is 8  $\Omega$ .
- The operational frequency range of the S119 is 30 Hz to 80 Hz, +/- 3 dB.
- The S119 is intended to be paired with the S10 Sub Compact Line Array with a crossover frequency of 80 Hz.
- The wooden enclosure is made of marine grade birch plywood, and has an aluminum and steel rigging system mounted on each corner. Without sacrificing lowered resonance to composite material, the S119 is able to maintain a low weight of 47 kg / 103.7 lbs.
- The S119 is designed for use with Lab.gruppen's PLM+ Series amplifiers.

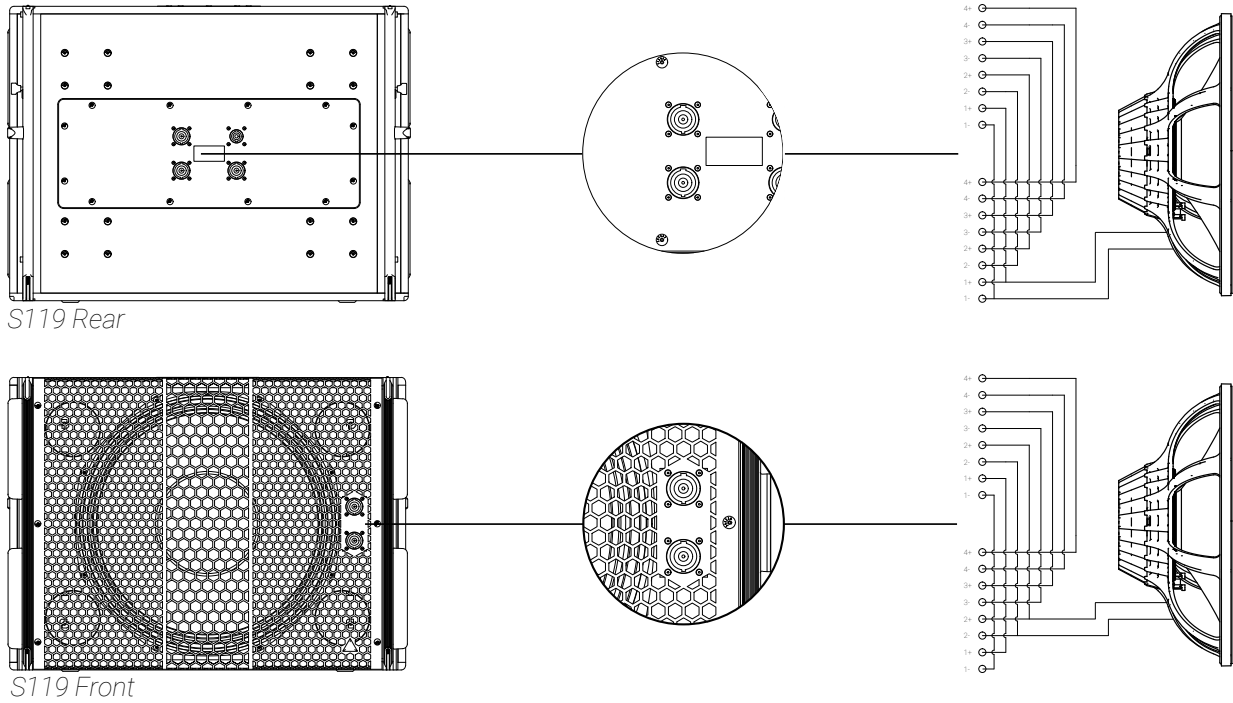
# S119

## Wiring

The **S119 (994-0002)** comes with 5x Neutrik Speakon™ NL8 connections and 1x Neutrik Speakon™ NL4 connection.

The 2 rear 'Parallel' NL8 connections pass pin 1 +/- to the driver.

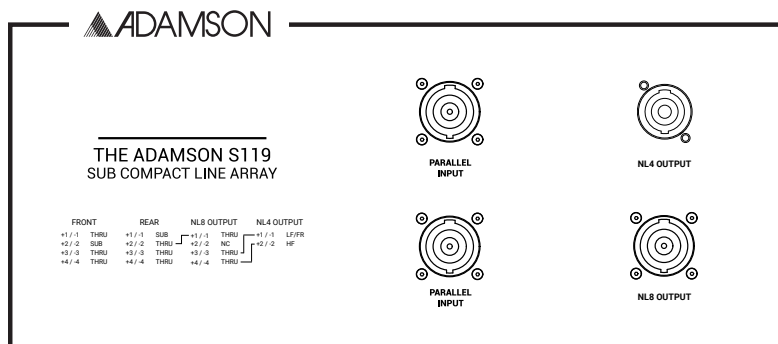
The 2 front NL8 connections pass pin 2 +/- to the driver.



There are 2 rear 'Output' connections.

The rear NL8 Parallel connection pins 2 +/- is passed through the NL8 Output connection pins 1 +/-.

All NL8 Parallel connection pins 3 & 4 +/- are passed through the NL4 Output connection pins 1 & 2 +/-.



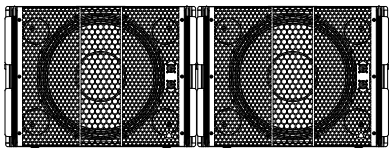
# S119

## Amplification

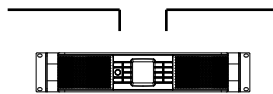
The S119 is paired with Lab Gruppen **PLM+ Series** amplifiers.

Maximum quantities of the S119 per amplifier model are shown below.

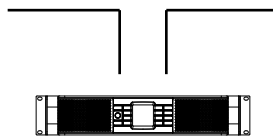
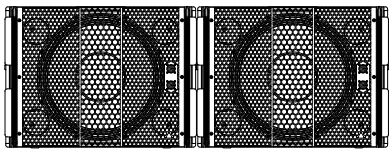
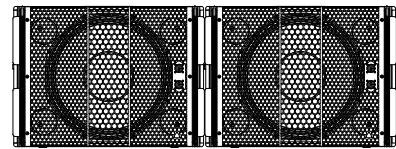
For a master list, please refer to the Adamson Amplification Chart, found [here](#), on our website.



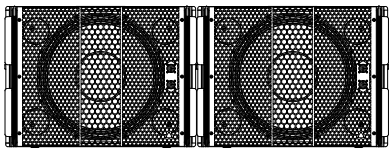
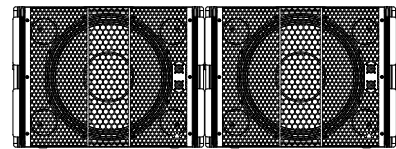
2x S119 per circuit  
4x S119 per amplifier



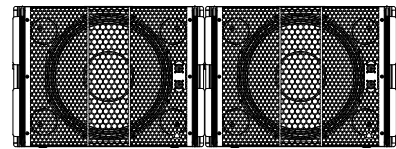
PLM+ 12k44



PLM+ 20k44



2x S119 per circuit  
8x S119 per amplifier



# S119

## Presets

The [Adamson Load Library](#), contains presets designed for a variety of S119 deployments. When flown or stacked in the same array as an S10, all S119 presets contain the inherent delay needed to be properly phase-aligned.

For a master list, please refer the [Adamson PLM & Lake Handbook](#).

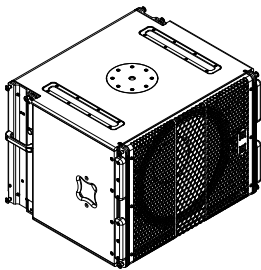
When flown or ground stacked separately, S119 subs should be phase-aligned using measurement software.

All S119 presets are also available in CC (Conventional Crossover) versions minus 5 ms delay.

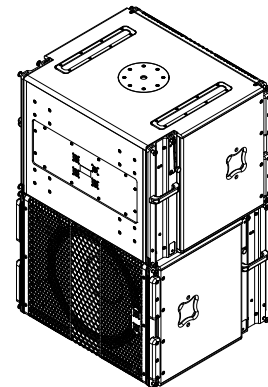
### Subwoofer Configuration

### Applicable Preset

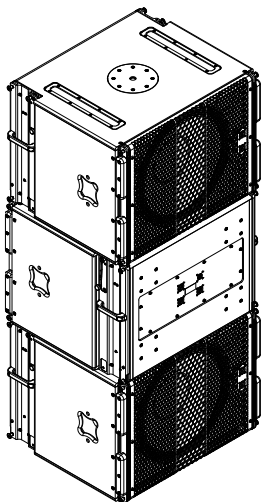
### Subwoofer Configuration



**S119**  
*All S119 forward facing*  
Omni pattern

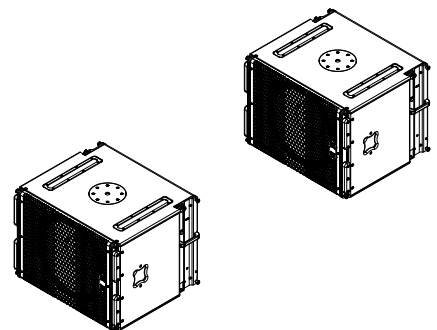


**S119 FB**  
*Bottom S119 forward facing,  
top S119 reversed*  
Cardioid pattern



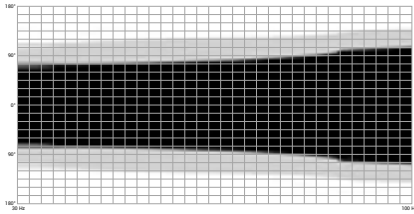
**S119 FBF**  
*Bottom and top S119 forward facing,  
middle S119 reversed*  
Cardioid pattern

**S119 EF66**  
*Two S119 stacks, distance from  
front grill to front grill of 66" (1.7m)*  
Cardioid pattern

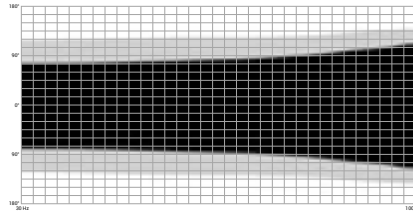


# S119

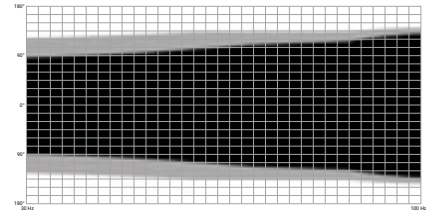
## Cardioid Dispersion



S119 FB



S119 FBF

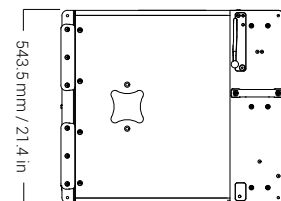
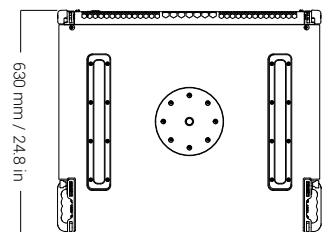
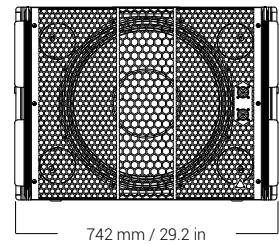


S119 EF66

## Technical Specifications

|                                |   |
|--------------------------------|---|
| Frequency Range (+/- 3dB)      | 30 Hz - 80 Hz   |
| Maximum Peak SPL **            | 138 dB  |
| Components LF                  | ND19 19" Kevlar Neodymium Driver  |
| Nominal Impedance LF           | 8 Ω   |
| Power Handling (AES / Peak) LF | 1200 / 4800 W   |
| Rigging                        | Integrated Rigging System   |
| Connection                     | 5x Speakon™ NL8 (2x Front (2+/2-), 2x Rear (1+/1-), and 1x Rear Output (Pin 2 to 1))<br>1x Speakon™ NL4 Output (Pin 3&4 +/- to 1&2 +/-) |
| Height (mm / in)               | 543.5 / 21.4  |
| Width (mm / in)                | 742 / 29.2  |
| Depth (mm / in)                | 630 / 24.8  |
| Weight (kg / lbs)              | 47 / 103.7  |
| Processing                     | Lake  |

\*\*12 dB crest factor pink noise at 1m, half space, using specified processing and amplification





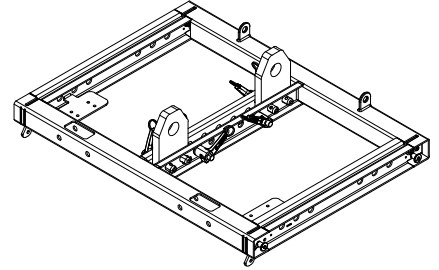
# S119

## Accessories

There are a number of accessories available for the Adamson S119 subwoofer cabinets. The list below is only a few of the accessories available.

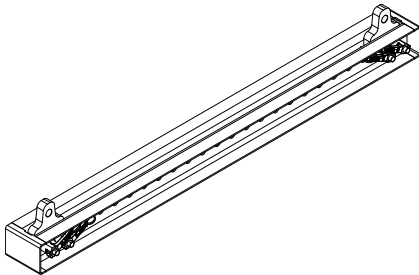
### Sub-Compact Support Frame (930-0025)

*Support frame for S7, CS7, S118, and CS118 enclosures*



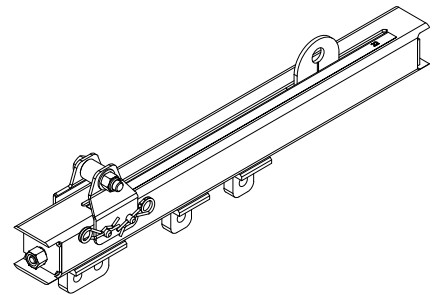
### Extended Beam (930-0021)

*Accommodates greater array articulation*



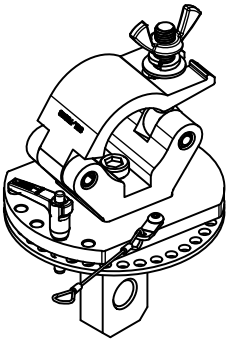
### Moving Point Extended Beam (930-0033)

*Extension beam with continuously adjustable pick point*



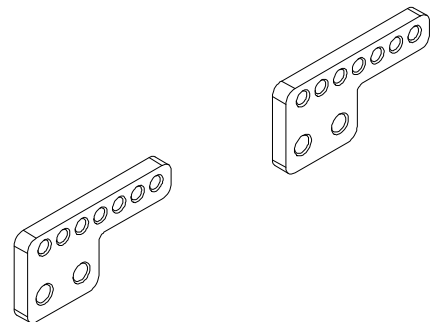
### Line Array H-Clamp (932-0047)

*Horizontal articulator clamp to be used with S-Series/CS-Series/IS-Series line array rigging frames*



### Extended Lifting Plates (930-0033)

*Lifting plates with fine resolution pick points for single point hangs*



### Sub-Compact Subwoofer Dolly (938-0021)

*Transports up to 2x S119 or CS119*

