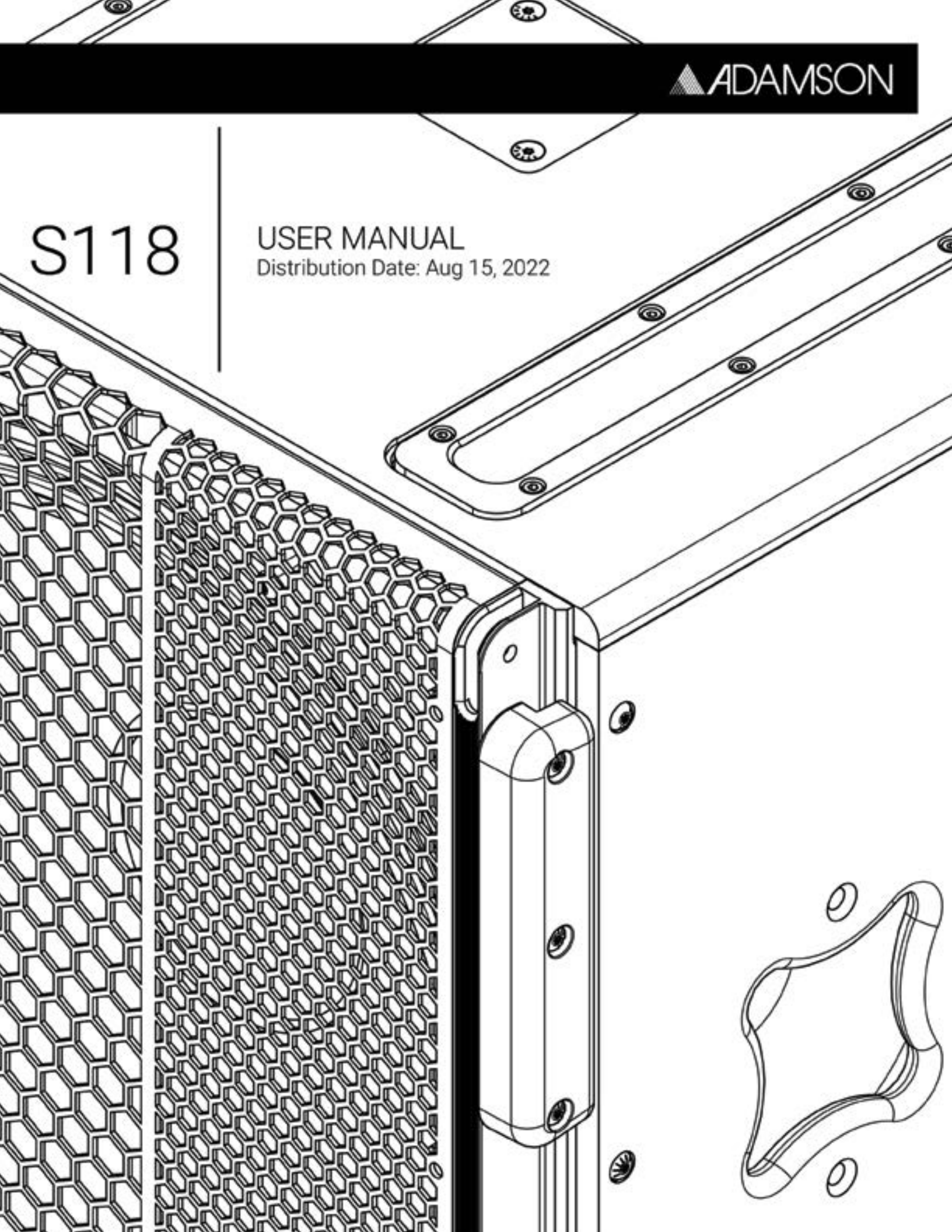


S118

USER MANUAL
Distribution Date: Aug 15, 2022



S118 User Manual

Distribution Date: August 15, 2022

Copyright 2022 by Adamson Systems Engineering Inc.; all rights reserved

This manual must be accessible to the person operating this product. As such, the product owner must store it in a safe place and make it available upon request to any operator.

This manual can be downloaded from

<https://adamsonsystems.com/support/downloads-directory/s-series/s118>

Declarations

EU Declaration of Conformity

Adamson Systems Engineering declares that the products stated below are in conformance with the relevant fundamental health and safety criteria of the applicable EC Directive(s), in particular:

Directive 2014/35/EU: Low Voltage Directive
992-0009 S118

Directive 2006/42/EC: Machinery Directive
930-0021 Extended Beam
930-0025 Ultra-Compact Support Frame
930-0033 Moving Point Extended Beam
932-0043 Extended Lifting Plates
932-0047 Line Array H-Clamp



Signed at Port Perry, ON, CA - August 15, 2022

A handwritten signature in blue ink, appearing to read 'Brock Adamson', is written over a horizontal dashed line.

Brock Adamson (President & CEO)

ADAMSON SYSTEMS ENGINEERING, Inc.
1401 Scugog Line 6
Port Perry, Ontario, Canada
L9L 0C3
T: +1 905 982 0520, F: +1 905 982 0609
Email: info@adamsonsystems.com
Website: www.adamsonsystems.com

Table of Contents

1.	Safety & Warnings	3
2.	Product Introduction	4
3.	Wiring	5
4.	Amplification	6
5.	Presets	7
6.	Technical Data	8
7.	Accessories	9

Safety & Warnings



Read these instructions, keep them available for reference.

This manual can be downloaded from

<https://adamsonsystems.com/support/downloads-directory/s-series/s118>



Heed all warnings and follow all instructions.



A qualified technician must be present during the installation and use of this product. This product is capable of producing extremely high sound pressure levels and should be used according to the specified local sound level regulations and good judgement. Adamson Systems Engineering will not be liable for damages caused by any possible misuse of this product.



Servicing is required when the loudspeaker has been damaged in any way, such as when the loudspeaker has been dropped; or when for undetermined reasons the loudspeaker does not operate normally. Inspect your products regularly for any visual or functionality irregularities.

Protect the cabling from being walked on or pinched.

View the S-Series Rigging Tutorial video and/or read the S-Series Rigging Manual before suspending the product.

Pay attention to rigging instructions included in both Blueprint and the S-Series Rigging Manual.

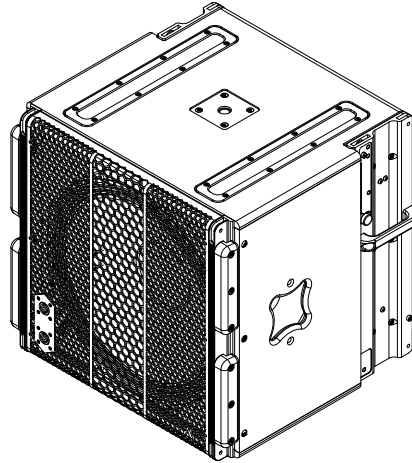
Use only with the rigging frames/accessories specified by Adamson, or sold with the loudspeaker system.

This speaker enclosure is capable of creating a strong magnetic field. Please use caution around the enclosure with data storage devices such as hard drives.

In an effort to continuously improve its products, Adamson releases updated accompanying software, presets and standards for its products. **Adamson reserves the right to change the specifications of its products and the content of its documents with no prior notice.**

S118

S118 Ultra-Compact Subwoofer



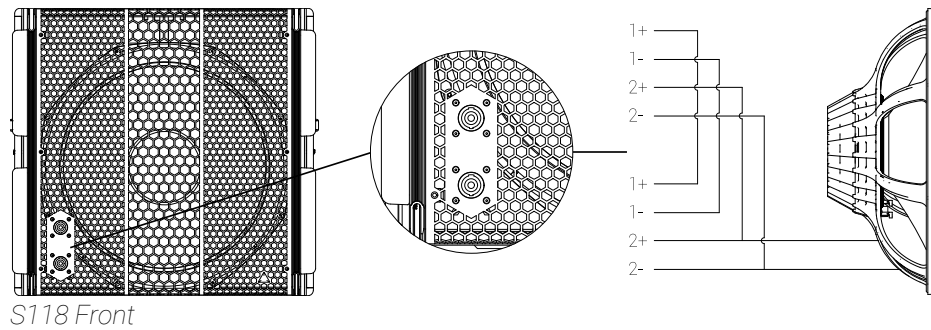
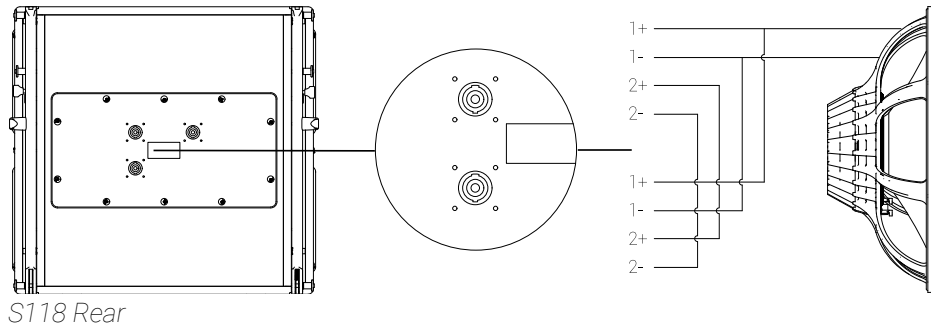
- The S118 is an ultra-compact subwoofer enclosure designed for extended LF capabilities. It contains one ND18-S 18" LF driver.
- Up to 16 S118 can be flown when using the Ultra-Compact Support Frame.
- The S118 can be flown or stacked in the same array as the S7 without the need for additional rigging hardware between the two types of cabinets.
- Adamson's use of proprietary technologies such as Advanced Cone Architecture give the S118 an extremely high maximum SPL level of 133 dB.
- The nominal impedance of the S118 is 8 Ω .
- The operational frequency range of the S118 is 35 Hz to 100 Hz, +/- 3 dB.
- The S118 is intended to be paired with other S-Series products with a crossover frequency range of 80Hz.
- The wooden enclosure is made of marine grade birch plywood, and has an aluminum and steel rigging system mounted on each corner, and a pole mount on top. Without sacrificing lowered resonance to composite material, the S118 is able to maintain a low weight of 31 kg / 68.4 lbs.
- The S118 is designed for use with Lab.gruppen's PLM+ Series amplifiers.

S118

Wiring

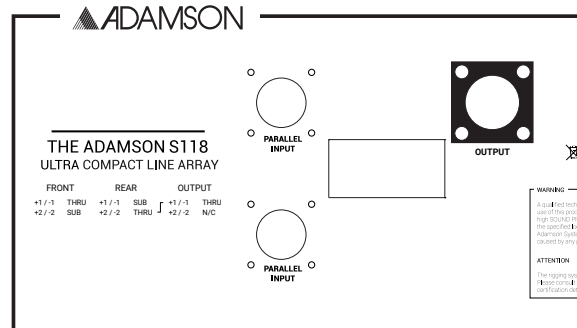
The **S118 (992-0009)** comes with 5x Neutrik Speakon™ NL4 connections.

The 2 rear 'Parallel' NL4 connections pass pin 1 +/- to the driver.
The 2 front NL4 connections pass pin 2 +/- to the driver.



There is one rear 'Output' connection.

The rear NL4 Parallel connection pins 2 +/- is passed thru the NL4 Output connection pins 1 +/-.



S118 Jackplate

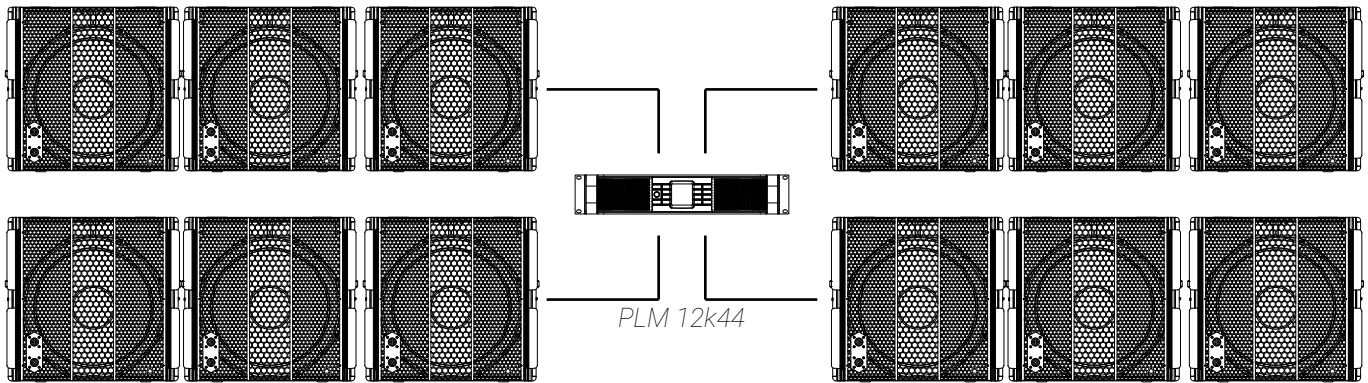
S118

Amplification

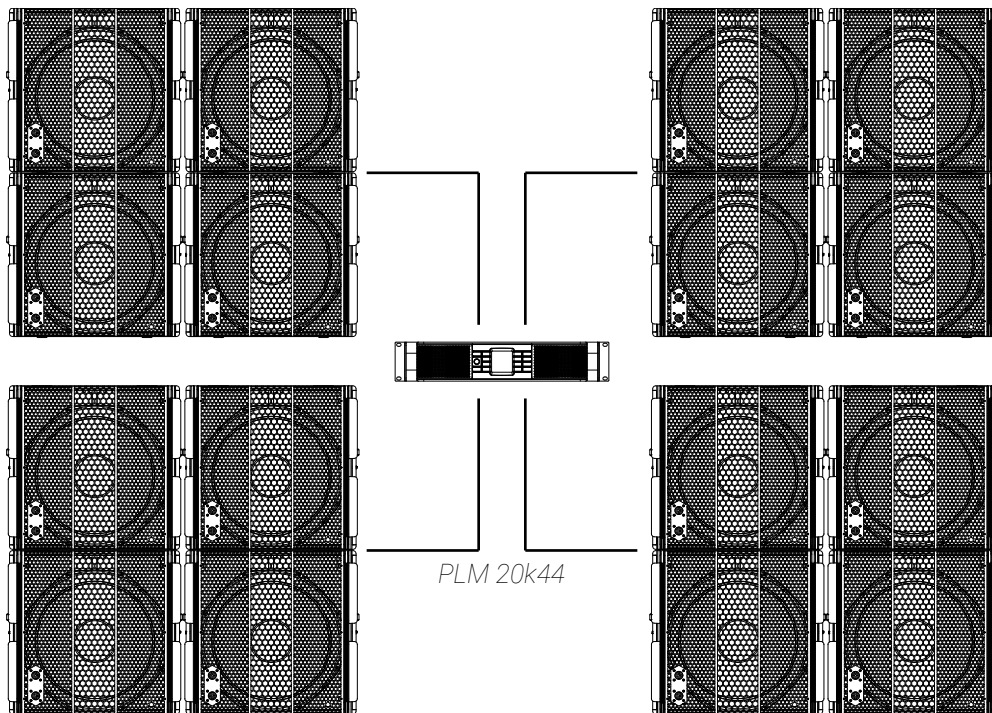
The S118 is paired with Lab Gruppen **PLM+ Series** amplifiers.

Maximum quantities of the S118 per amplifier model are shown below.

For a master list, please refer to the Adamson Amplification Chart, found [here](#) on the Adamson website.



4x S118 per circuit
12x S118 per amplifier



4x S118 per circuit
16x S118 per amplifier

S118

Presets

The [Adamson Load Library](#) contains presets designed for a variety of S118 applications. When flown or stacked in the same array as an S7, all S118 presets contain the inherent delay needed to be properly phase-aligned.

For a master list, please refer to the [Adamson PLM & Lake Handbook](#).

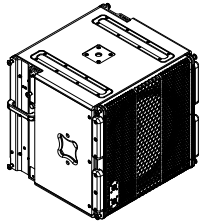
When flown or ground stacked separately, S118 subs should be phase-aligned using measurement software.

All S118 presets are also available in CC (Conventional Crossover) versions minus 5 ms delay.

Subwoofer Configuration

Applicable Preset

Subwoofer Configuration

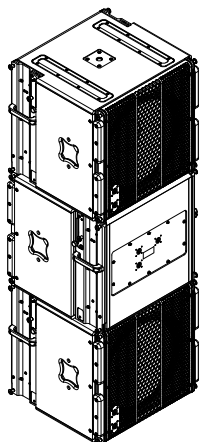
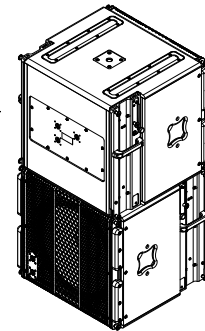


S118
All S118 forward facing

Omni pattern

S118 FB
Bottom S118 forward facing, top S118 reversed

Cardioid pattern

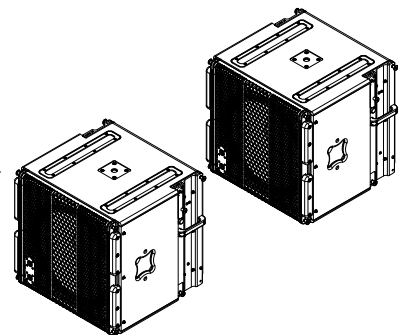


S118 FBF
Bottom and top S118 forward facing, middle S118 reversed

Cardioid pattern

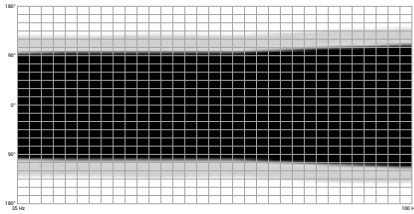
S118 EF40
End Fire 40° / 100 cm
Distance between Front Screens

Cardioid pattern

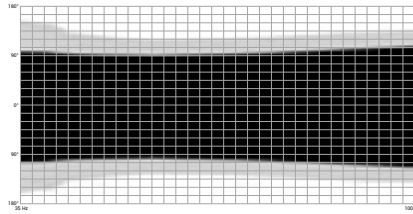


S118

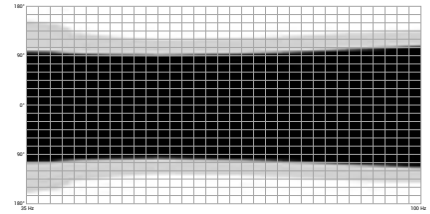
Cardioid Dispersion



S118 FB



S118 FBF

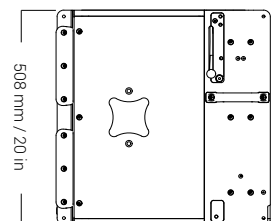
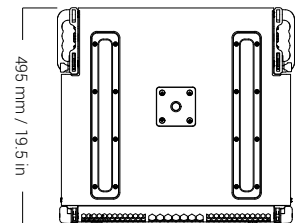
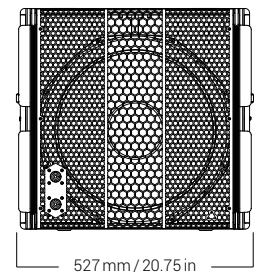


S118 EF

Technical Specifications

Frequency Range (+/- 3dB)	35 Hz - 100 Hz
Maximum Peak SPL **	133 dB
Components LF	ND18-S 18" Kevlar Neodymium Driver
Nominal Impedance LF	8 Ω
Power Handling (AES / Peak) LF	500 / 2000 W
Rigging	Integrated Rigging System
Connection	5x Speakon™ NL4 (2x Front 1+/1-, 2x Rear (2+/2-, and 1x Rear Output (Pin 2 to 1))
Height (mm / in)	508 / 20
Width (mm / in)	527 / 20.75
Depth (mm / in)	495 / 19.5
Weight (kg / lbs)	31 / 68.4
Processing	Lake

**12 dB crest factor pink noise at 1m, half space, using specified processing and amplification



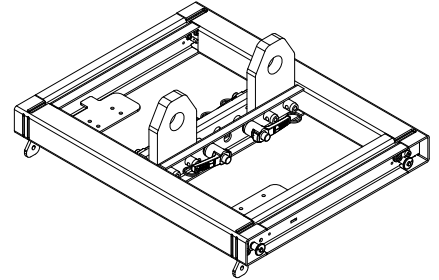
S118

Accessories

There are a number of accessories available for the Adamson S118 subwoofer cabinets. The list below is only a few of the accessories available.

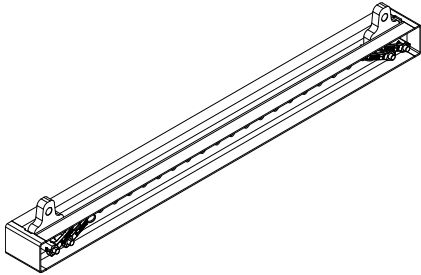
Ultra-Compact Support Frame (930-0025)

Support frame for S7, CS7, S118, and CS118 enclosures



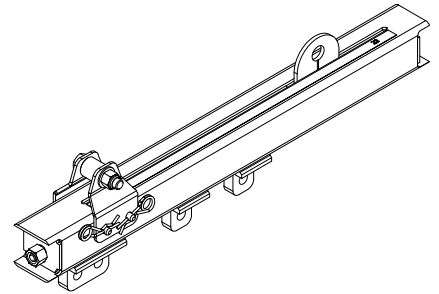
Extended Beam (930-0021)

Accommodates greater array articulation



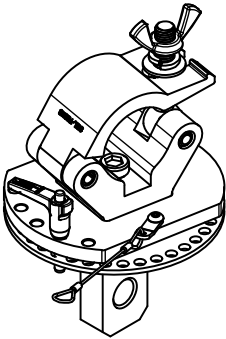
Moving Point Extended Beam (930-0033)

Extension beam with continuously adjustable pick point



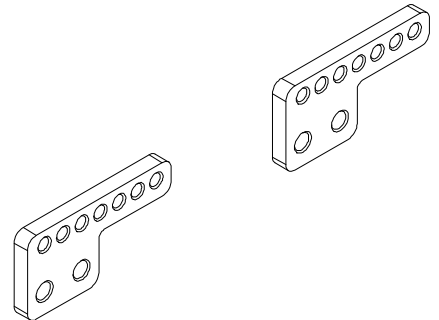
Line Array H-Clamp (932-0047)

Horizontal articulator clamp to be used with S-Series/CS-Series/IS-Series line array rigging frames



Extended Lifting Plates (930-0033)

Lifting plates with fine resolution pick points for single point hangs



Ultra-Compact Subwoofer Dolly (938-0023)

Transports up to 2x S118 or CS118

