An exploded view diagram of the IS213 components. It shows a large perforated metal grate on the left, a long metal channel with a textured top surface at the top, and several rectangular metal plates with cutouts and holes. A long metal bar with several screws is positioned horizontally across the lower right. The components are shown in a disassembled state to illustrate their assembly.

IS213

USER MANUAL

Distribution Date: May 10, 2022

# IS213 User Manual

Distribution Date: May 10, 2022

Copyright 2022 by Adamson Systems Engineering Inc.; all rights reserved

This manual must be accessible to the person operating this product. As such, the product owner must store it in a safe place and make it available upon request to any operator.

Resale of this product must include a copy of this manual.

This manual can be downloaded from

<https://www.adamsonsystems.com/en/support/downloads-directory/is-series/is213>

## Declarations

### EU Declaration of Conformity

Adamson Systems Engineering declares that the products stated below are in conformance with the relevant fundamental health and safety criteria of the applicable EC Directive(s), in particular:

**Directive 2014/35/EU: Low Voltage Directive**  
IS213 - 995-0001, 995-5001



Signed at Port Perry, ON, CA - May 10, 2022

A handwritten signature in blue ink, appearing to be 'Brock Adamson', written over a horizontal dashed line.

Brock Adamson (President & CEO)

ADAMSON SYSTEMS ENGINEERING, Inc.  
1401 Scugog Line 6, Port Perry (ON), L9L 1B2, Ontario,  
Canada  
T: +1 905 982 0520, F: +1 905 982 0609  
Email: [info@adamsonsystems.com](mailto:info@adamsonsystems.com)  
Website: [www.adamsonsystems.com](http://www.adamsonsystems.com)

# Table of Contents

1.	<a href="#">Safety &amp; Warnings</a>	3
2.	<a href="#">Product Introduction</a>	4
3.	<a href="#">Wiring</a>	5
4.	<a href="#">Amplification</a>	6
5.	<a href="#">Presets</a>	7
6.	<a href="#">Weatherized</a>	8
7.	<a href="#">Technical Specifications</a>	9

## Safety & Warnings



Read these instructions, keep them available for reference.

This manual can be downloaded from

<https://www.adamsonsystems.com/en/support/downloads-directory/is-series/is213>



Heed all warnings and follow all instructions.



A qualified technician must be present during the installation and use of this product. This product is capable of producing extremely high sound pressure levels and should be used according to the specified local sound level regulations and good judgement. Adamson Systems Engineering will not be liable for damages caused by any possible misuse of this product.



Servicing is required when the loudspeaker has been damaged in any way, such as when the loudspeaker has been dropped; or when for undetermined reasons the loudspeaker does not operate normally. Inspect your products regularly for any visual or functionality irregularities.

Protect the cabling from being walked on or pinched.

Read the appropriate IS-Series Rigging Manual before installing the product.

Pay attention to rigging instructions included in both Blueprint AV™ and the IS-Series Rigging Manual.

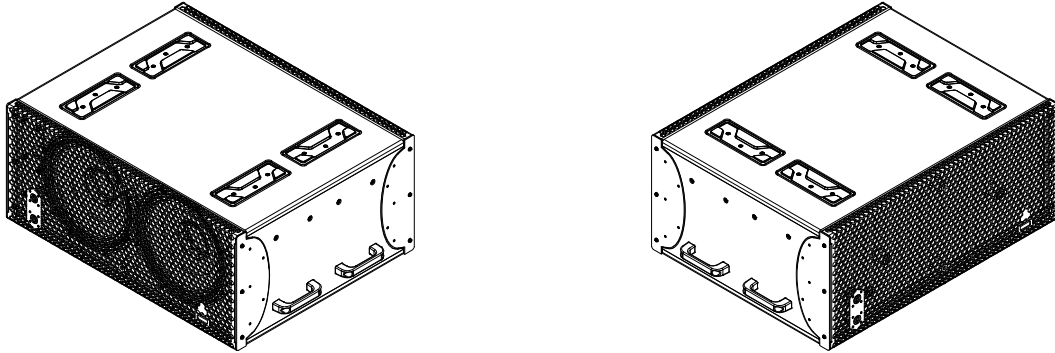
Use only with the rigging frames/accessories specified by Adamson, or sold with the loudspeaker system.

This speaker enclosure is capable of creating a strong magnetic field. Please use caution around the enclosure with data storage devices such as hard drives.

In an effort to continuously improve its products, Adamson releases updated accompanying software, presets and standards for its products. **Adamson reserves the right to change the specifications of its products and the content of its documents with no prior notice.**

# IS213

## IS213 Ultra-Compact Subwoofer

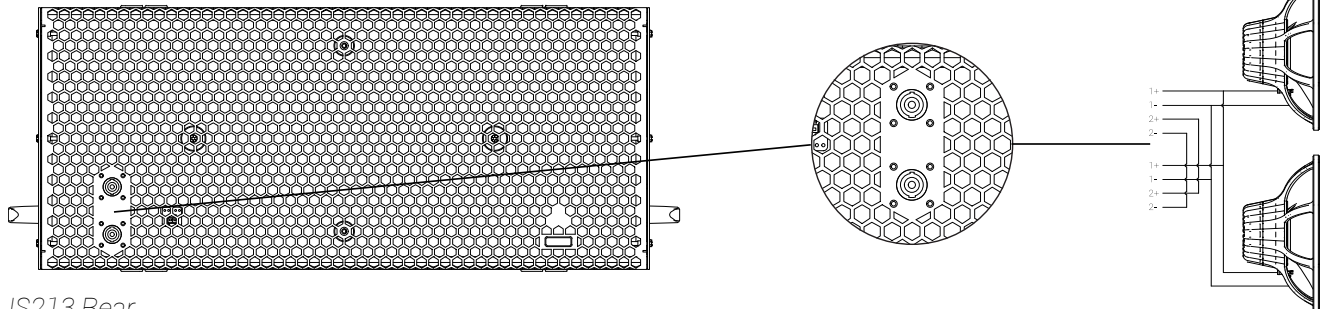


- The IS213 is an ultra-compact subwoofer enclosure containing two ND13 13" LF drivers.
- The operational frequency range of the IS213 is 34 Hz to 100 Hz. The use of proprietary technologies such as Advanced Cone Architecture give the IS213 an extremely high maximum SPL level.
- With a height of 349mm / 13.75 in the IS213 easily fits under low stages. The enclosure has an unobtrusive visual design which blends seamlessly into the surrounding space, including identical grilles at the front and back so cardioid deployments appear identical to non-cardioid. It is made of marine grade birch plywood. Without sacrificing lowered resonance to composite material, the IS213 is able to maintain a low weight of 36.25 kg / 80 lbs.
- The IS213 is intended to be paired with the IS-Series line of cabinets with a crossover frequency of approximately 80 Hz.
- The IS213 is designed for use with Lab.gruppen's D-Series line of installation amplifiers. The nominal impedance of the IS213 is 4  $\Omega$ .

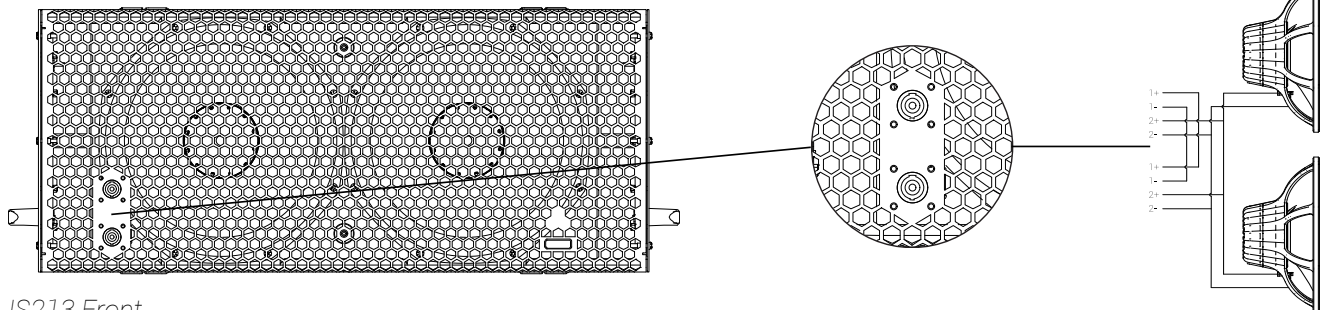
# IS213

## Wiring

The **IS213** (995-0001, 995-5001) comes with 4x Neutrik Speakon™ NL4 connections, wired in parallel. The 2 rear connections pass pin 1 +/- to the driver and the 2 front connections pass pin 2 +/- to the driver.



*IS213 Rear*



*IS213 Front*

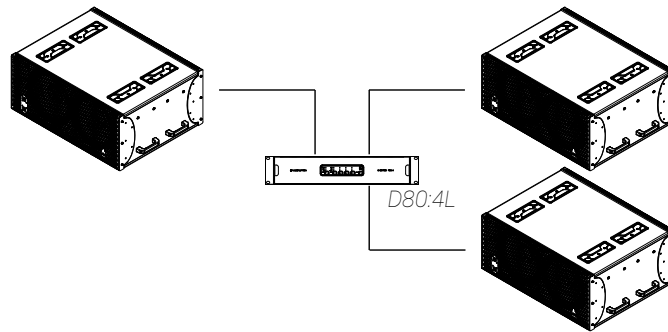
# IS213

## Amplification

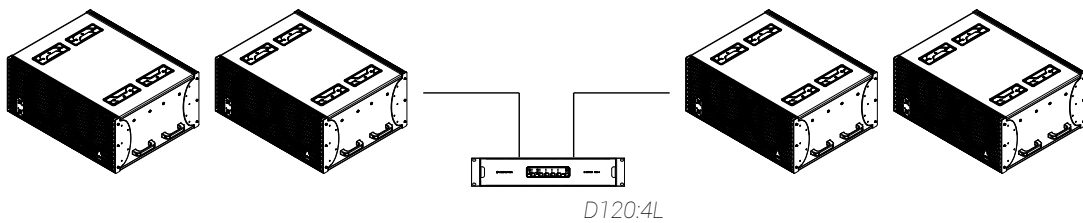
The IS-Series cabinets are paired with Lab.gruppen **D-Series** amplifiers.

The maximum quantities of the IS213 per amplifier model are shown below.

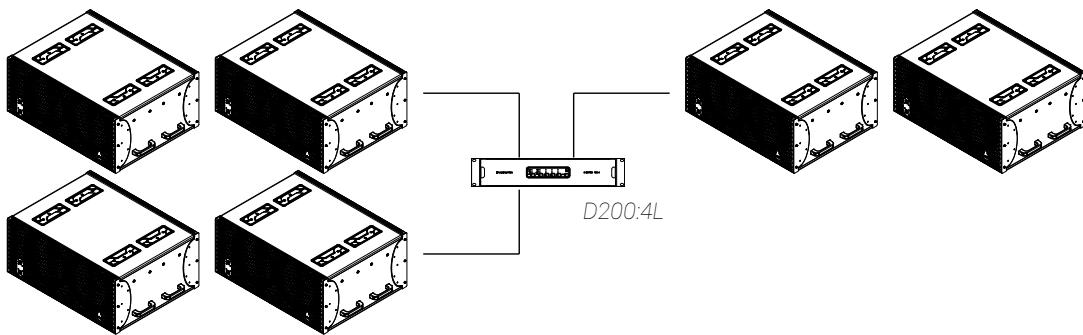
For a master list, please refer to the Adamson Amplification Chart, found [here](#), on our website.



1x IS213 per amp channel,  
3x IS213 max on a D80 amplifier.



2x IS213 per amp channel,  
4x IS213 max on a D120 amplifier.



2x IS213 per amp channel..  
6x IS213 max on a D200 amplifier.

# IS213

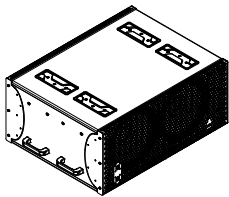
## Presets

The [Adamson Load Library](#) contains presets designed for IS213 deployments. For a master list, please refer to the Adamson PLM & Lake Handbook, found [here](#), on our website. IS213 subs should be phase-aligned to the additionally deployed array using measurement software.

### Subwoofer Configuration

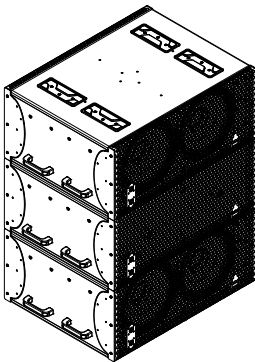
### Applicable Preset

### Subwoofer Configuration



IS213  
*All IS213 forward facing*

*Omni pattern*

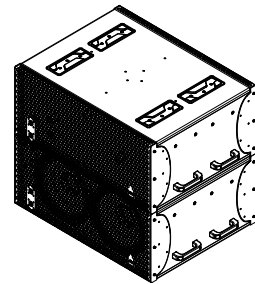


IS213 FB  
*Bottom IS213 forward facing,  
top IS213 reversed*

*Cardioid pattern*

IS213 FBF  
*Bottom and top IS213 forward facing,  
middle IS213 reversed*

*Cardioid pattern*



## Weatherized

IS-Series weatherized models add an additional layer of environmental and corrosion protection to Adamson's already durable cabinet design. Weatherized enclosures are ideal for marine and coastal venues, outdoor stadiums, open-air performance spaces, and other permanent outdoor installations.

IS-Series weatherized cabinets are rated IP55 and feature the following additional protective features.

### Corrosion resistance

Corrosion resistance extends the lifetime performance of your system in outdoor venues where water, salt and acidity can impact durability and function.

All structural steel elements of Adamson weatherized cabinets – including rigging and rigging links – are made of a high yield strength stainless steel alloy that offers 100% corrosion resistance.

Cabinet hardware is made of non-plated stainless steel, designed to provide exceptional rust and corrosion resistance, particularly in high-saline environments.

### Environmental sealing

Additional protection of the cabinet helps ensure that loudspeaker performance isn't impeded by the harsh environments in which your system is deployed.

To guard against water and particle intrusion, the same two-part polyurea coating that gives Adamson cabinets their life-extending exterior protection is applied to the interior of the enclosure, creating a complete seal. Weatherized models feature an exterior coating with a distinctive smooth finish that allows for easy cleaning and removal of contaminants like dirt, grime, salt water or sand.

To protect against dust and other particles, a fine stainless steel mesh has been added to all points of entry including behind the front grille screens.

Cabling for the IS-Series weatherized cabinets is pre-wired and protected inside a gasket-sealed jackplate, with gland nuts in place to seal the connection points.



# IS213

## Technical Specifications

Frequency Range (+/- 3dB)	34 Hz - 100 Hz
Maximum Peak SPL **	137 dB
Components LF	2x SD13-S 13" Kevlar® Neodymium Driver
Nominal Impedance LF	4 Ω (2x 8 Ω)
Power Handling (AES / Peak) LF	1600 / 6400 W
Rigging	N/A
Connection	4x Speakon™ NL4 (2x Front 2+/2-, 2x Rear (1+/1-), or Barrier Strips
Height (mm / in)	349 / 13.75
Width (mm / in)	813 / 32
Depth (mm / in)	629 / 24.75
Weight (kg / lbs)	36.25 / 80
Colour	Black & White (Standard), RAL Colours (On Demand)
Processing	Lake

\*\*12 dB crest factor pink noise at 1m, half space, using specified processing and amplification

