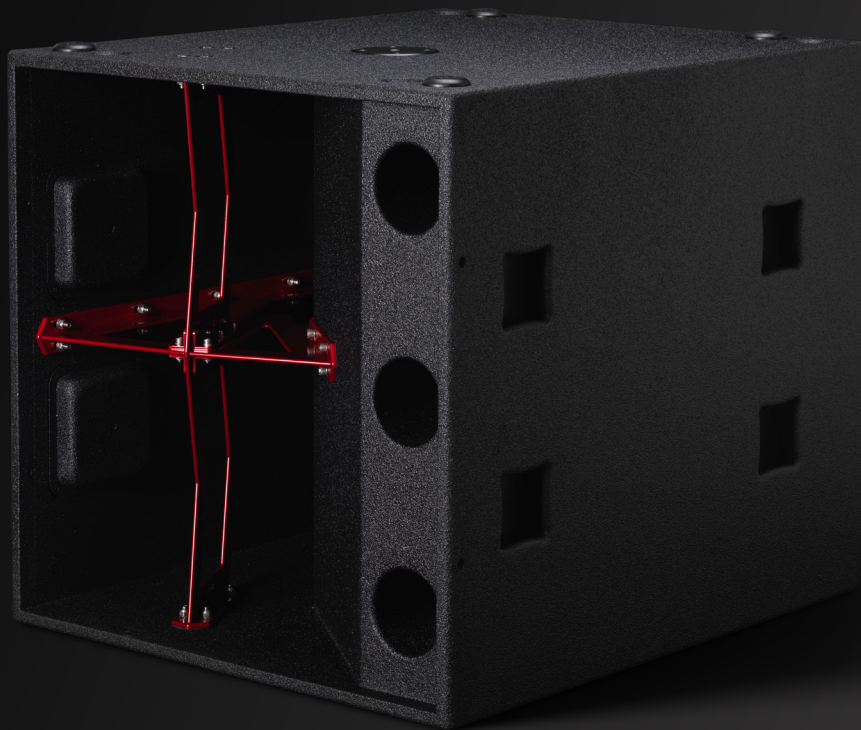




Hear. Feel. Connect.

voidacoustics.com



Nexus XL

Mind-blowing energy, enviable design

USER GUIDE V2.1

©2023 Void Acoustics Research Ltd.

This user guide is subject to change without notice.
For the latest online version, visit: www.voidacoustics.com

Void Acoustics and the Void logo are registered trademarks of Void Acoustics Research Ltd. in the United Kingdom, USA and other countries; all other Void trademarks are the property of Void Acoustics Research Ltd.

Contents

1	Safety and Regulations	4
1.1	Important Safety Instructions	4
1.2	Limitations	4
1.3	EC Declaration of Conformity	4
1.4	UKCA Conformity	4
1.5	Warranty Statement	4
1.6	WEEE Directive	4
2	Unpacking and Checking	5
3	About	6
3.1	Welcome	6
3.2	Nexus XL Overview	6
3.3	Key Features	6
3.4	Nexus XL Specifications	7
3.5	Nexus XL Dimensions	7
4	Cable and Wiring	8
4.1	Electrical Safety	8
4.2	Cable Considerations for Fixed Installations	8
4.3	Impedance Graph	8
4.4	Nexus XL Wiring Diagram	9
4.5	Bias Q5 speakON™ Wiring	9
4.6	Amplifier Loading Guidelines	10
5	Adjustments	11
5.1	Wheel Removal	11
5.2	Grille Removal	12
6	Service	13
7	Appendix	14

1 Safety and Regulations

1.1 Important safety instructions



The lightning flash with an arrowhead symbol within an equilateral triangle is intended to alert the user to the presence of uninsulated "dangerous voltage" within the product's enclosure that may be of sufficient magnitude to constitute a risk of electric shock to persons.



The exclamation point within an equilateral triangle is intended to alert the user of the presence of important operating and maintenance (servicing) instructions in the literature accompanying the appliance.

Safety instructions - read this first

1. Read these instructions.
2. Keep these instructions.
3. Heed all warnings.
4. Follow all instructions.
5. Do not use this apparatus near water.
6. Clean only with a dry cloth.
7. Do not block any ventilation openings. Install in accordance with the manufacturer's instructions.
8. Do not install near any heat source such as radiators, heat registers, stoves, or other such apparatus that produce heat.
9. Do not defeat the safety purpose of the grounding-type plug. A grounding type plug has two blades and a third grounding prong. The third prong is provided for your safety. If the provided plug does not fit into your outlet, consult an electrician for replacement of the obsolete outlet.
10. Protect power cords from being walked on or pinched particularly at plugs, convenience receptacles, and the point where they exit the apparatus.
11. Only use attachments and accessories specified by Void Acoustics.
12. Only use with the cart, stand, tripod, bracket, or table specified by the manufacturer, or sold with the apparatus. When a cart is used, use caution when moving the cart/apparatus combination to avoid injury from tip-over.
13. Unplug the apparatus during lightning storms or when unused for long periods of time.
14. Refer all servicing to qualified service personnel. Servicing is required when the apparatus has been damaged in any way, such as when the power-supply cord or plug is damaged, liquid has been spilled or objects have fallen into the apparatus, the apparatus has been exposed to rain or moisture, does not operate normally, or has been dropped.
15. Since the mains power supply cord attachment plug is used to disconnect the device, the plug should always be easily accessible.
16. Void loudspeakers can produce sound levels capable of causing permanent hearing damage from prolonged exposure. The higher the sound level, the less exposure needed to cause such damage. Avoid prolonged exposure to the high sound levels from the loudspeaker.

1.2 Limitations

This guide is provided to help familiarise the user with the loudspeaker system and its accessories. It is not intended to provide comprehensive electrical, fire, mechanical and noise training and is not a substitute for industry-approved training. Nor does this guide absolve the user of their obligation to comply with all relevant safety legislation and codes of practice. While every care has been taken in creating this guide, safety is user-dependent and Void Acoustics Research Ltd cannot guarantee complete safety whenever the system is rigged and operated.

1.3 EC declaration of conformity

For EC Declaration of Conformity please go to:

www.voidacoustics.com/eu-declaration-loudspeakers

1.4 UKCA marking

For details of the UKCA marking go to:

www.voidacoustics.com/uk-declaration-loudspeakers

1.5 Warranty statement

For warranty statement go to:

<https://voidacoustics.com/terms-conditions/>

1.6 WEEE directive

If the time arises to throw away your product, please recycle all the components possible.



This symbol indicates that when the end-user wishes to discard this product, it must be sent to separate collection facilities for recovery and recycling. By separating this product from other household-type waste, the volume of waste sent to incinerators or land-fills will be reduced and natural resources will thus be conserved.

The Waste Electrical and Electronic Equipment Directive (WEEE Directive) aims to minimise the impact of electrical and electronic goods on the environment. Void Acoustics Research Ltd complies with the Directive 2002/96/EC and 2003/108/EC of the European Parliament on waste electrical and electronic equipment (WEEE) in order to reduce the amount of WEEE that is being disposed of in land-fill sites. All of our products are marked with the WEEE symbol; this indicates that this product must NOT be disposed of with other waste. Instead it is the user's responsibility to dispose of their waste electrical and electronic equipment by handing it over to an approved reprocessor, or by returning it to Void Acoustics Research Ltd for reprocessing. For more information about where you can send your waste equipment for recycling, please contact Void Acoustics Research Ltd or one of your local distributors.

2 Unpacking and Checking

All Void Acoustics products are carefully manufactured and thoroughly tested before being despatched. Your dealer will ensure that your Void products are in pristine condition before being forwarded to you but mistakes and accidents can happen.

Before signing for your delivery:

- Inspect your shipment for any signs of contamination, abuse or transit damage as soon as you receive it
- Check your Void Acoustics delivery fully against your order
- If your shipment is incomplete or any of its contents are found to be damaged; inform the shipping company and inform your dealer.

When you are removing your Nexus XL loudspeaker from its original packaging:

- Nexus XL loudspeakers come double boxed and are stapled shut; take care when unboxing and removing the staples to avoid injury or damage to the loudspeaker
- If you need to place the Venu loudspeaker on a flat surface ensure you use a lint free product to protect the finish
- When you have removed the Nexus XL loudspeaker from the packaging inspect it to ensure there is no damage and keep all original packaging in case it needs to be returned for any reason.

See section 1.5 for warranty conditions and see section 5 if your product needs servicing.

3 About

3.1 Welcome

Many thanks for purchasing this Void Acoustics Nexus XL. We truly appreciate your support. At Void, we design, manufacture and distribute advanced professional audio systems for the installed and live sound market sectors. Like all Void products, our highly skilled and experienced engineers have successfully combined pioneering technologies with ground-breaking design aesthetics, to bring you superior sound quality and visual innovation. In buying this product, you are now part of the Void family and we hope using it brings you years of satisfaction. This guide will help you both use this product safely and ensure it performs to its full capability.

3.2 Nexus XL overview

Applying the five resonant chamber theory used in the ever-popular Stasys X, further refining this design principle has led to previously unimagined levels of performance. The Nexus XL has it all, with its impressive transient response and articulation, plus exceptionally high levels of efficiency, power handling and extended low frequency response. Well suited to modern styles of music, it still retains the efficiency and extended low frequency response that only a very large transducer can provide. For lower power handling, the Nexus XL serves as an alternative to the Nexus X and is to be used with the Nexus Q upper bass enclosure.

3.3 Key features

- Single high power 21" transducer
- Five resonant chambers
- Very high efficiency
- Fast transient response

3 About

3.4 Nexus XL specifications

Frequency response	30 Hz - 150 Hz \pm 3dB
Efficiency ¹	104 dB 1W/1m
Nominal impedance	8 Ω
Power handling ²	2000 W AES
Maximum output ³	135 dB cont, 141 dB peak
Driver configuration	1 x 21"
Dispersion	Array dependant
Connectors	2 x 4-pole speakON™
Height	754 mm (29.7")
Width	738 mm (29")
Depth	860 mm (33.9")
Weight	90 kg (198.4 lbs)

¹ Measured in half space ² AES2 - 1984 compliant ³ Calculated

3.5 Nexus XL dimensions

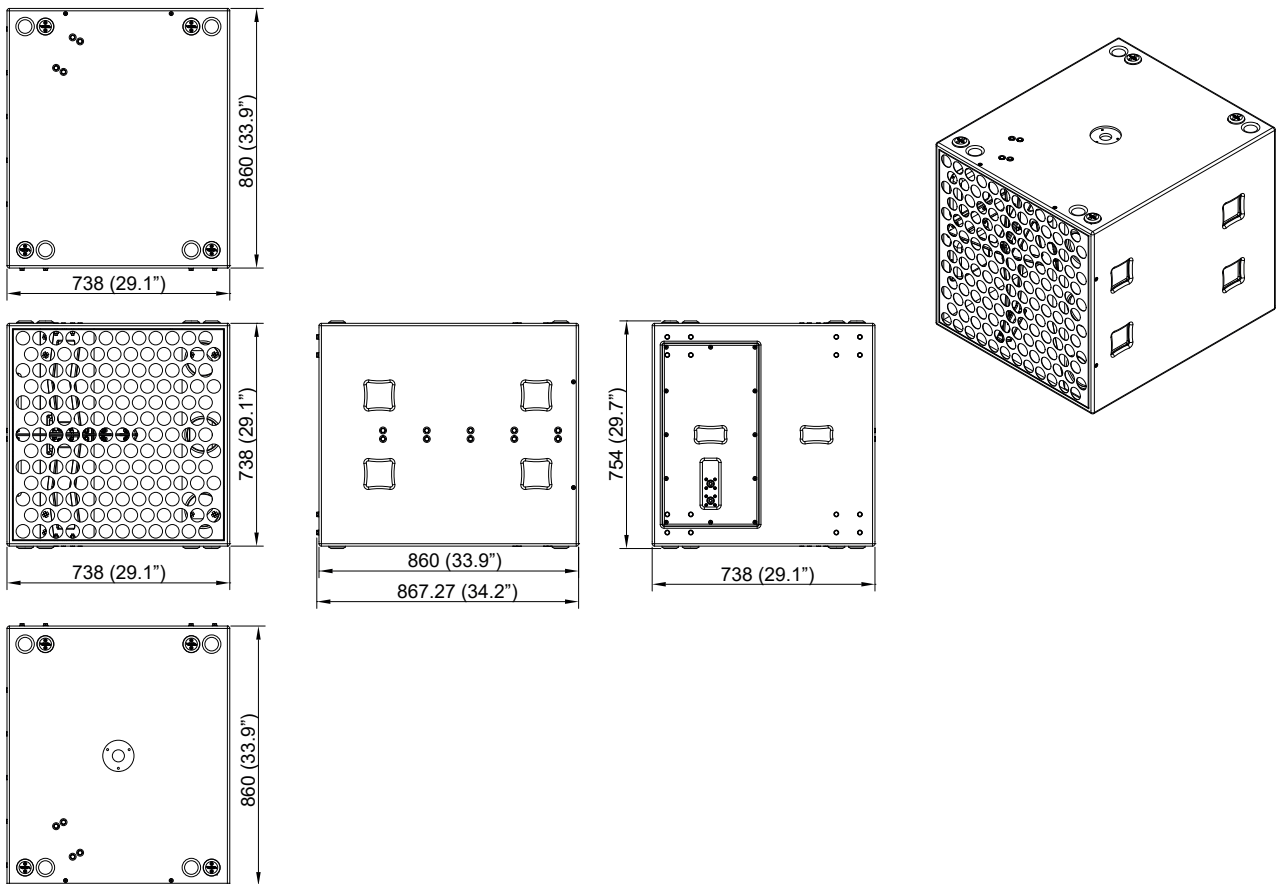


Figure 3.1: Dimensions

4 Cable and Wiring

4.1 Electrical safety



To avoid electrical hazards please note the following:

- Do not access the inside of any electrical equipment. Refer servicing to Void-approved service agents.

4.2 Cable considerations for fixed installations

We recommend specifying installation-grade Low Smoke Zero Halogen (LSZH) cables for permanent installations. The cables should use Oxygen Free Copper (OFC) of grade C11000 or above. Cables for permanent installations should be compliant with the following standards:

- IEC 60332.1 Fire retardancy of a single cable
- IEC 60332.3C Fire retardancy of bunched cables
- IEC 60754.1 Amount of Halogen Gas Emissions
- IEC 60754.2 Degree of acidity of released gases
- IEC 61034.2 Measurement of smoke density.

We suggest using the following maximum copper cable lengths to keep level losses below 0.6 dB.

Metric mm ²	Imperial AWG	8 Ω load	4 Ω load	2 Ω load
2.50 mm ²	13 AWG	36 m	18 m	9 m
4.00 mm ²	11 AWG	60 m	30 m	15 m

4.3 Impedance graph

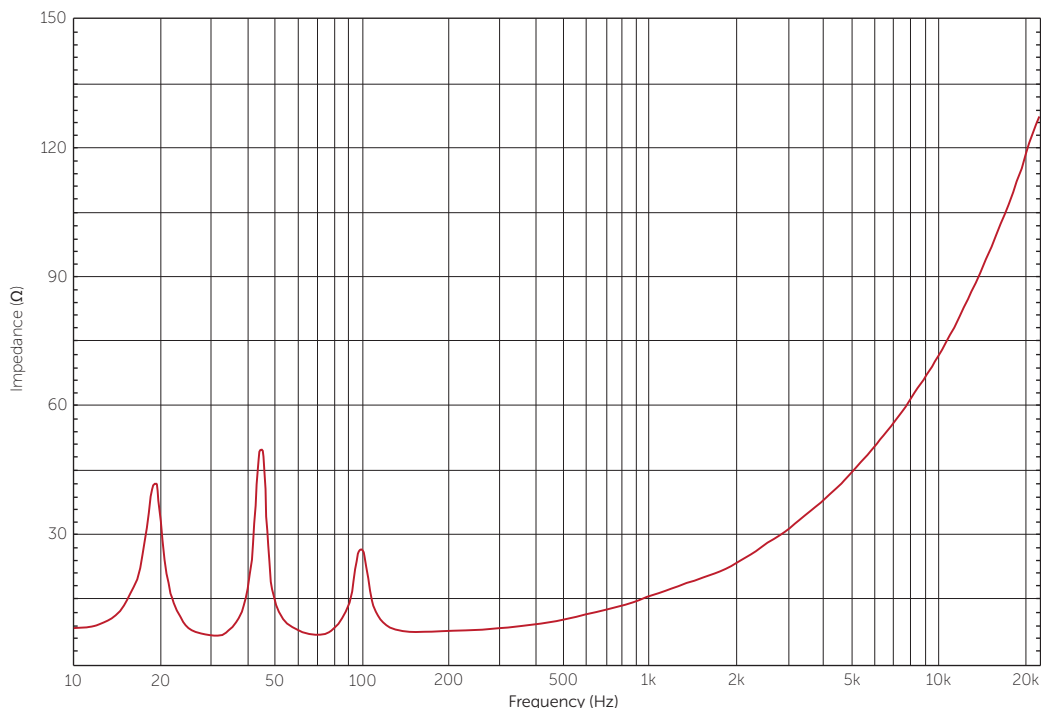


Figure 4.1: Impedance graph

4 Cable and Wiring

4.4 Nexus XL wiring diagram

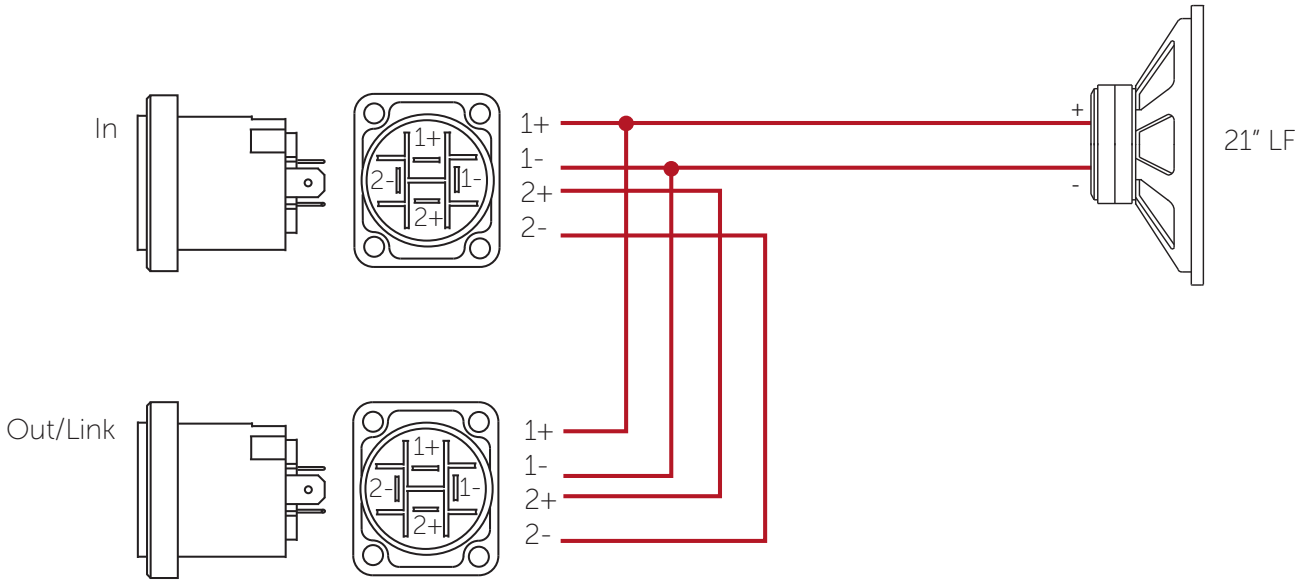


Figure 4.2: Wiring diagram

	speakON™ pins 1+/1-	speakON™ pins 2+/2-
In	LF (21")	Out/link
Out	LF link	Out/link

4.5 Bias Q5 speakON™ wiring

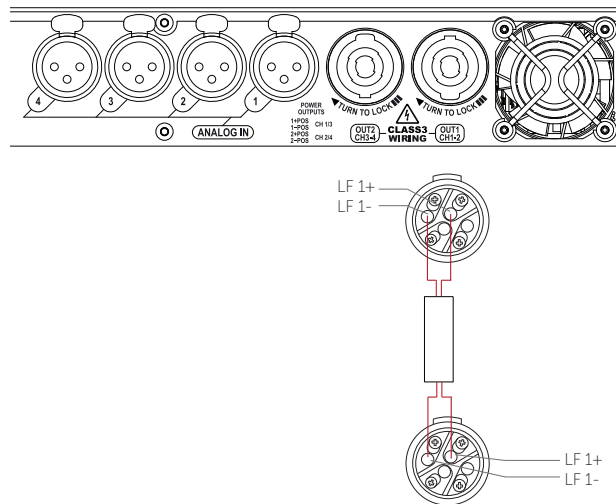


Figure 4.3: Bias Q5

Bias Q5	Channel 1
Output	LF (12")
Max parallel units	4 (2 Ω load to amplifier)

4 Cable and Wiring

4.6 Amplifier loading guidelines

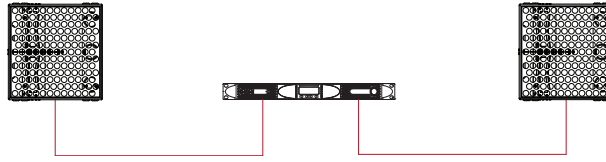


Figure 4.4: 2 x Nexus XL: 8 Ω per channel/1 amplifier

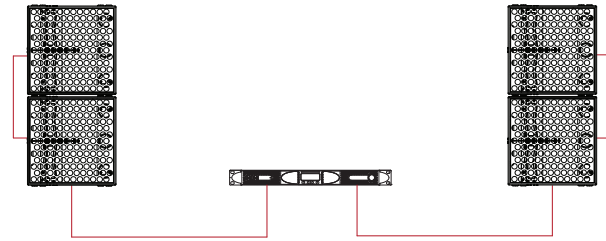


Figure 4.5: 4 x Nexus XL: 4 Ω per channel/1 amplifier

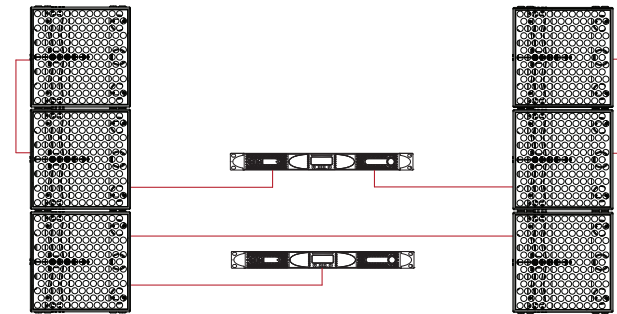


Figure 4.6: 6 x Nexus XL: 8 Ω per channel/2 amplifier

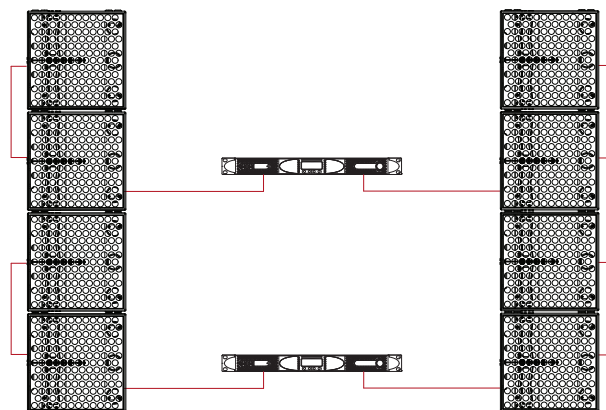


Figure 4.7: 8 x Nexus XL: 4 Ω per channel/2 amplifier

Ensure all amplifier channels are loaded equally. Limiters engage correctly. Cabinets acoustic principles are the same.

5 Adjustments

To avoid damage when making adjustments please note the following:



- Removing the grille can cause debris to collect within the enclosure, take care to remove anything that may have collected internally
- Do not use impact tools.

5.1 Wheel removal

Step 1:

Remove all four M6 bolts with a 13 mm spanner/wrench.

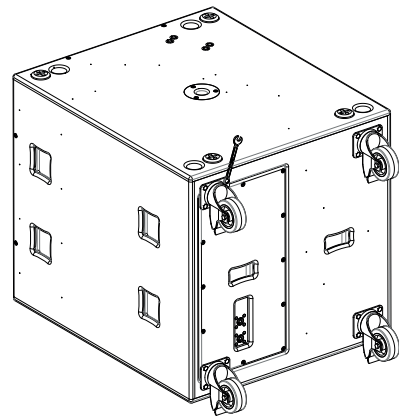


Figure 5.1: Bolt removal

Step 2:

Remove/add the wheels and keep in a safe place. Repeat the process for the other three wheels.

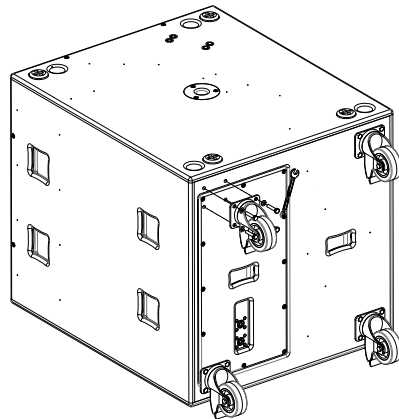


Figure 5.2: Wheel removal

Step 3:

Replace the M8 bolts by hand until finger tight before using hand tools.



Note: Replacing bolts is of particular importance as without them there can be air leakage and detuning.

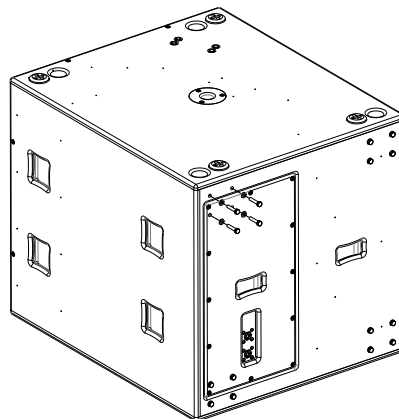


Figure 5.3: Bolt tightening

5 Adjustments

5.2 Grille removal

Step 1:

Undo all twelve M6 tab bolts using a 4 mm Allen key, take care NOT to remove the tab bolts as they may become lost within the enclosure.

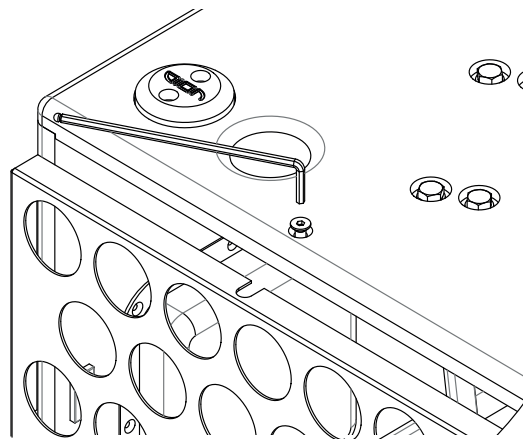


Figure 5.4: Bolt removal

Step 2:

Remove grille.

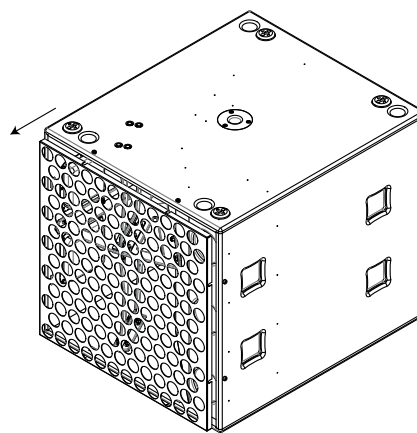


Figure 5.5: Grille removal

Step 3:

Replace the M6 bolts by hand until finger tight before using hand tools.

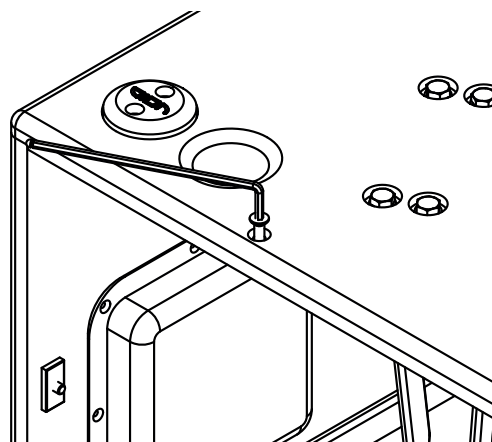


Figure 5.6: Bolt replacement

6 Service

Void Nexus XL loudspeakers should only be serviced by a fully-trained technician.



No user serviceable parts inside. Refer servicing to your dealer.

6.1 Return authorisation

Before returning your faulty product for repair, please remember to get an R.A.N. (Return Authorisation Number) from the Void dealer who supplied the system to you. Your dealer will handle the necessary paperwork and repair. Failure to go through this return authorisation procedure could delay the repair of your product.

Note that your dealer will need to see a copy of your sales receipt as proof of purchase so please have this to hand when applying for return authorisation.

6.2 Shipping and packing considerations

- When sending a Void Nexus XL loudspeaker to an authorised service centre, please write a detailed description of the fault and list any other equipment used in conjunction with the faulty product
- Accessories will not be required. Do not send the instruction manual, cables or any other hardware unless your dealer asks you to
- Pack your unit in the original factory packaging if possible. Include a note of the fault description with the product. Do not send it separately
- Ensure safe transportation of your unit to the authorised service centre.

7 Appendix

Architectural specifications

The loudspeaker shall be an active bandpass sub bass system consisting of a single high power 21" (533.4 mm), long excursion, low frequency (LF) transducers mounted in a rectangular enclosure.

The low frequency transducers shall be constructed on a cast aluminium frame, with a treated paper cone, dual 152.4 (6") voice coil, wound with copper wires on a high quality voice coil former and a neodymium magnet for high power handling and long-term reliability.

Performance specifications for a typical production unit shall be as follows: the usable bandwidth shall be 30 Hz to 150 Hz (± 3 dB) and have a maximum SPL of 141 dB peak (135 dB continuous) measured at 1 m using IEC268-5 pink noise. Power handling shall be 2000 W AES at a rated impedance of 8 Ω and a pressure sensitivity of 104 dB measured at 1W/1m. The system shall be powered by its own dedicated power amplification module with DSP management. The wiring connection shall be via two Neutrik speakON™ NL4 (one for input and one for loop-out to another speaker), to allow for pre-wiring of the connector before installation.

The enclosure shall be constructed from a 18 mm multi-laminate birch plywood finished in a textured polyurea and shall contain fixture points for a pressed steel, powder coated grille to protect the horn path from object ingress. The cabinet shall have eight handles (four per side) for efficient manual handling. External dimensions of (H) 754 mm x (W) 738 mm x (D) 860 mm (29.7" x 29" x 3.9"). Weight shall be 90 kg (198.4 lbs).

The loudspeaker shall be the Void Acoustics Nexus XL.

NORTH AMERICA

Void Acoustics North America

Call: +1 630 686 6616

Email: sales.usa@voidacoustics.com

HEAD OFFICE

Void Acoustics Research Ltd,
Unit 15, Dawkins Road Industrial Estate,
Poole, Dorset,
BH15 4JY
United Kingdom

Call: +44(0) 1202 666006

Email: info@voidacoustics.com



Hear. Feel. Connect.

voidacoustics.com