



NETWORK
DISTRIBUTION
SYSTEM
User Manual

Distribution Date:
June 7, 2022



User Manual

Distribution Date: May 10th, 2021

Copyright © 2021 by Adamson Systems Engineering Inc.; all rights reserved.

This manual must be accessible to the person operating this product. As such, the product owner must store it in a safe place and make it available upon request to any operator.

Resale of this product must include a copy of this manual.

This manual can be downloaded from

<https://adamsonsystems.com/en/support/downloads-directory>

ADAMSON SYSTEMS ENGINEERING, Inc.

1401 Scugog Line 6, Port Perry

Ontario, Canada L9L 1B2

T: +1 905 982 0520, F: +1 905 982 0609

Email: info@adamsonsystems.com

Website: www.adamsonsystems.com



Contents

Symbols	3
Safety & Warnings	4
Product Overview	5
Front View	5
Rear View	5
Specifications	6
Network Redundancy	7
Combined Network Speaker Outputs	7

Symbols



This symbol alerts the user that there are important operating and maintenance instructions in the literature accompanying this appliance



This symbol alerts the user to the presence of voltages that can cause dangerous electric shock



This symbol alerts the user to the weight of the appliance that can cause muscle strain or back injury



This symbol alerts the user that the appliance can be hot to the touch and should not be touched without taking care and instruction



Safety & Warnings



Read these instructions and keep them available for future reference.

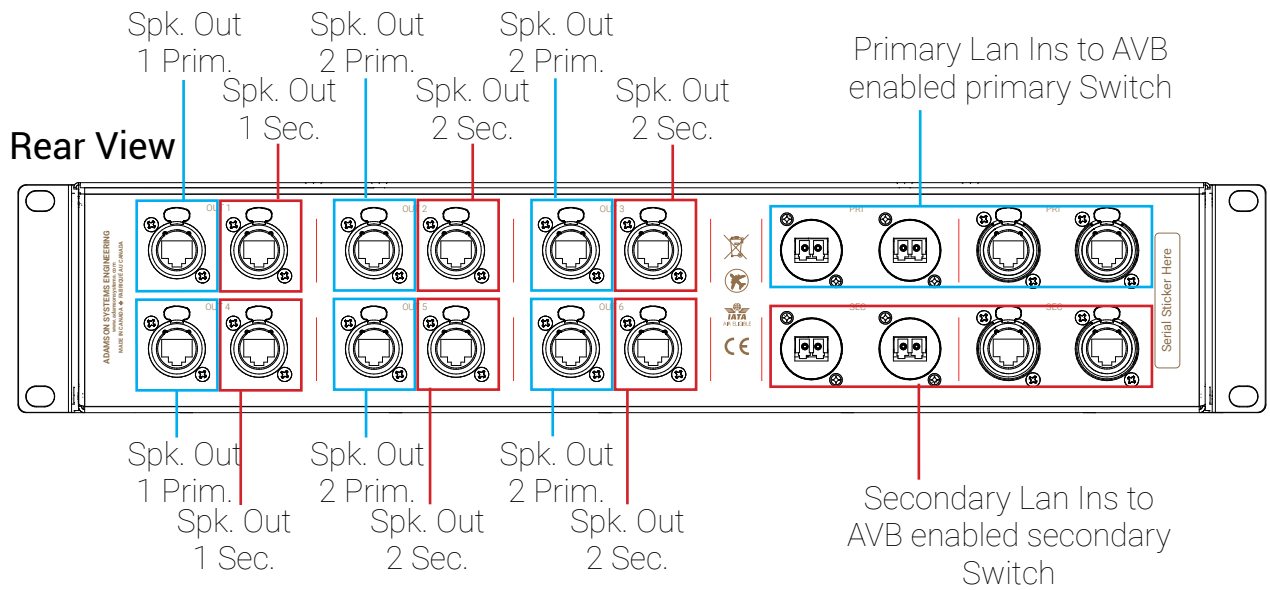
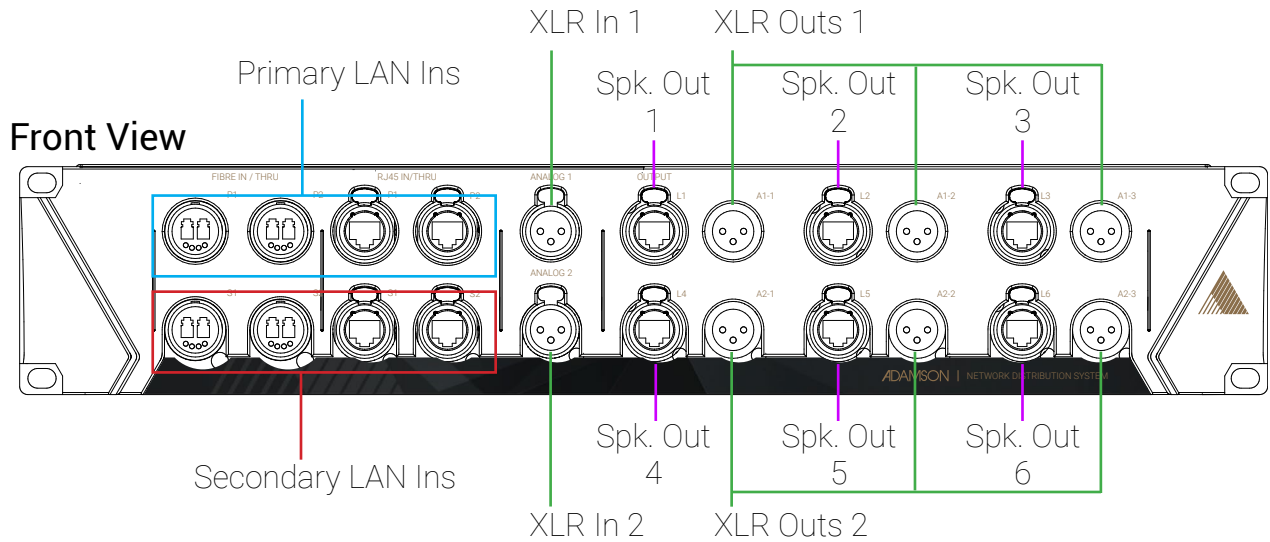
- This manual can be downloaded from:
<https://adamsonsystems.com/en/support/downloads-directory>

Heed all warnings and follow all instructions.

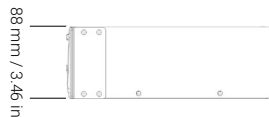
- Clean this product with a dry cloth only.
- Never restrict the ventilation ports.
- Protect the cabling from being walked on or pinched.
- Only use attachments and/or accessories specified by Adamson Systems Engineering.
- A qualified technician must be present during the installation and use of this product. Adamson Systems Engineering will not be liable for damages caused by any possible misuse of this product.
- Inspect the product before each use. If any sign of defect or damage is detected, immediately withdraw the product from use for maintenance.
- Refer all servicing of this product to qualified service personnel.
- Do not open the unit. There are no user serviceable parts inside this product. Failure to comply voids warranty.
- Do not install this product in wet or humid locations.
- Do not install this product near heat sources such as radiators, heat registers, stoves, or other apparatus that produce heat.



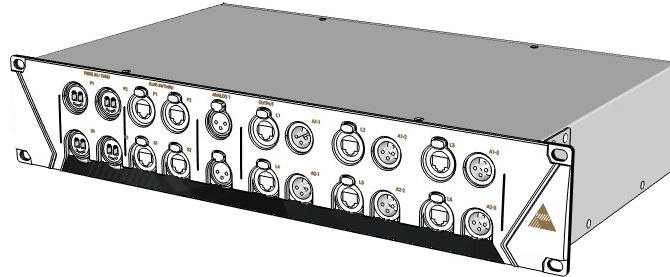
Product Overview



Dimensions



Product Overview



Specifications

- The Network Distribution System (NDS) serves as the central patch bay for signal distribution to CS-Series loudspeakers and other rack mounted equipment, by packaging multiple digital and analog signals.
- OpticalCON™ and etherCON™ connections on the front panel take input from the primary and secondary LAN. These individual LANs are then combined into a single cable carrying redundant networked audio to the loudspeaker system.
- Two analog signals can be distributed by the NDS via XLR connectors on the front panel. Each analog signal is split to three XLR connectors.
- The rear panel of the NDS includes LC2 Fiber Optic and etherCON™ connections for sending primary and secondary LAN to two AVB-enabled switches, as well as six primary and six secondary etherCON™ connections for AVB network returns from the switches.
- The NDS is a passive cabling patch bay. For full functionality two external AVB Milan enabled switches are necessary.

Network Redundancy

Combined Network Speaker Outputs

Splitting the 1 Gbit/s network into two 100 Mbit/s creates a primary and secondary network. Both networks are combined on the NDS speaker outputs. Each network connector on CS-Series cabinets is using two 100 Mbit/s switch ports processing the received data, allowing for full redundancy on a single cable.

