

Air Motion

Key features:

- Three-way, bi-amped sculpted loudspeaker array
- Exceptionally linear frequency and phase characteristics
- Low resonance fibreglass composite construction
- Integrated flying and mounting system
- Optional floor stand or flying bracket
- Internal electronic HF protection

Applications:

- High impact nightclub
- VIP room
- Bar, club, lounge
- Live music venues

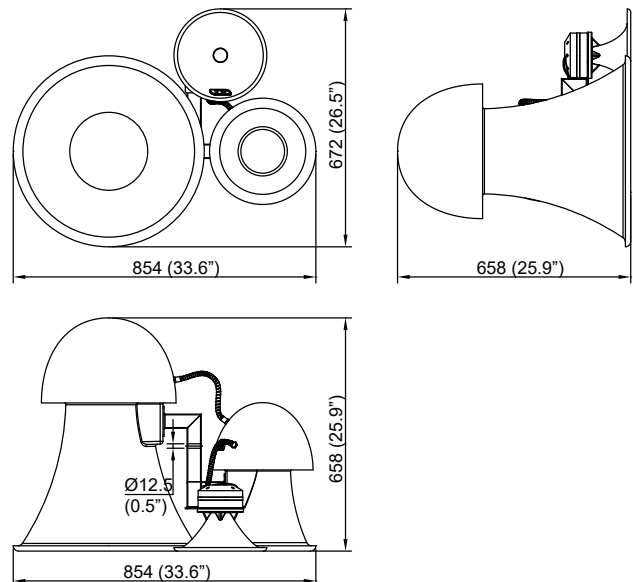


The Air Motion is a timeless work of art, instantly recognisable as a Void-signature product, known for both its iconic appearance and exceptionally balanced sound.

Specifications

Frequency response	140 Hz - 20 kHz ± 3 dB
Efficiency ¹	LF: 106 dB 1W/1m, MHF: 108 dB 1W/1m
Crossover points	LF: 140 Hz and 600 Hz, MHF: 600 Hz - Passive 1.7 kHz
Nominal impedance	LF: 8 Ω , MHF: 8 Ω
Power handling ²	LF: 500 W AES, MHF: 250 W AES
Maximum output ³	134 dB cont, 137 dB peak
Driver configuration	1 x 12" LF, 1 x 8" MF, 1 x 1.5" HF compression driver
Dispersion	60°H x 50°V
Protection	Internal electronic control
Connectors	2 x 4-pole speakON™ NL4
Weight	35.4 kg (78 lbs)
Enclosure	Fibreglass composite
Rigging	Integral mounting system
Colour	Custom colours available upon request

¹ Measured in half space ² AES2 - 1984 compliant ³ Calculated



Air Motion

Architectural specifications

The loudspeaker shall be an active, three-way, bi-amped system consisting of a high power 12" (305 mm) isometric conical horn loaded low frequency (LF) transducer with a passive two way, mid-high frequency section consisting of an 8" (200 mm) isometric conical horn loaded mid frequency (MF) transducer and a 1.5" (38.1 mm) diameter exit high frequency (HF) compression driver mounted on a user rotatable horn.

Low frequency (LF), mid and high frequency (MF and HF) transducers shall be enclosed in separate and independent moulded conical fibreglass cabinets with a smooth, high gloss finish of any RAL colour.

The LF and MF transducers shall be constructed on a cast aluminium frame, with a treated paper cone, 63.5 mm (4") for the LF and 50.8 mm (2") for the MF voice coil, wound with copper wires on a high quality voice coil former, for high power handling and long-term reliability. The HF transducer shall project its sound through an elliptic conical waveguide with a 200 mm (8") baffle diameter.

Performance specifications for a typical production unit shall be as follows: the usable on-axis bandwidth of 140

Hz to 20 kHz (± 3 dB), with an average 50° directivity pattern on the vertical axis and 60° on the horizontal one (-6 dB down from on-axis level) from 1 kHz to 12 kHz; maximum SPL of 137 dB peak, measured at 1 m using IEC268-5 pink noise. Crossover points shall be at 140 Hz and 600 Hz for the LF section and 1.7 kHz passive for the MHF. The system shall be powered by its own dedicated power amplification module with DSP management, with the wiring connection via two Neutrik speakON™ NL4; one for input and one for link out to another speaker.

The aesthetically designed enclosures shall be bolted onto a powder-coated steel frame using a minimum of four M8 bolts per horn. This frame aligns the horns in the correct acoustic space to achieve a good directivity across the loudspeaker system's entire spectrum. The frame will incorporate mounting holes for a 'U' bracket fixture for fitment to ceiling and wall mounting brackets. The external dimensions of the enclosures and frame shall be (W) 854 mm x (H) 672 mm x (D) 658 mm (33.6" x 26.5" x 25.9"). Weight shall be 35.4 kg (78 lbs).

The loudspeaker shall be the Void Acoustics Air Motion V2.

