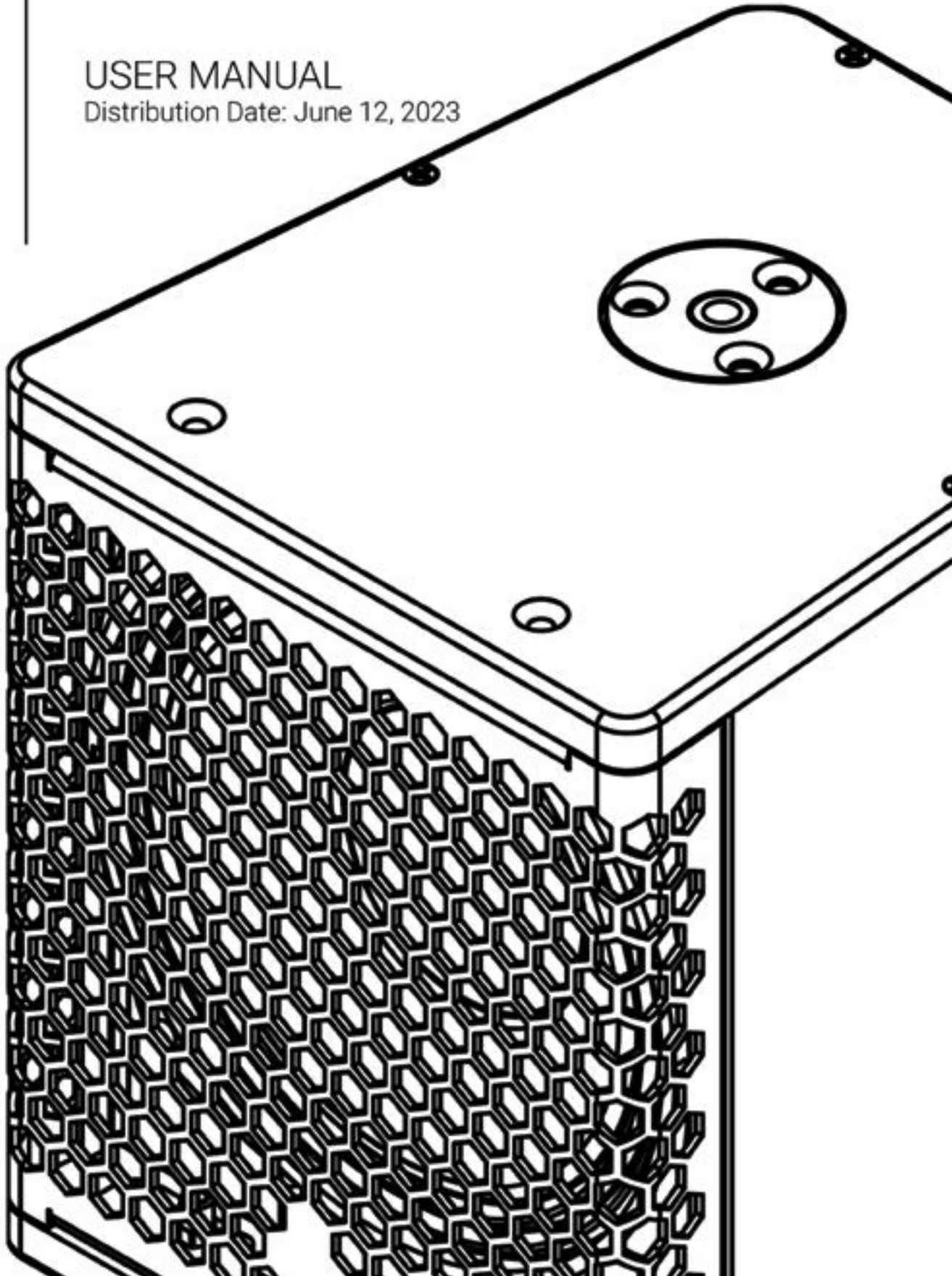


IS7c

USER MANUAL

Distribution Date: June 12, 2023



# IS7c User Manual

Distribution Date: June 12, 2023

Copyright 2023 by Adamson Systems Engineering Inc.; all rights reserved

This manual must be accessible to the person operating this product. As such, the product owner must store it in a safe place and make it available upon request to any operator.

Resale of this product must include a copy of this manual.

This manual can be downloaded from

<https://www.adamsonsystems.com/en/support/downloads-directory/is-series/is7c>

## Declarations

### EU Declaration of Conformity

Adamson Systems Engineering declares that the products stated below are in conformance with the relevant fundamental health and safety criteria of the applicable EC Directive(s), in particular:

**Directive 2014/35/EU: Low Voltage Directive**  
IS7c - 96X-000X, 96X-500X

**Directive 2006/42/EC: Machinery Directive**  
IS7c Tilt Bracket - 934-00XX, 934-50XX



Signed at Port Perry, ON, CA - June 12, 2023

A handwritten signature in blue ink, appearing to read 'Brock Adamson', is written over a horizontal dashed line.

Brock Adamson (President & CEO)

ADAMSON SYSTEMS ENGINEERING, Inc.  
1401 Scugog Line 6, Port Perry (ON), L9L 1B2, Ontario,  
Canada  
T: +1 905 982 0520, F: +1 905 982 0609  
Email: [info@adamsonsystems.com](mailto:info@adamsonsystems.com)  
Website: [www.adamsonsystems.com](http://www.adamsonsystems.com)



# Table of Contents

1.	<a href="#">Safety &amp; Warnings</a>	3
2.	<a href="#">Product Introduction</a>	4
3.	<a href="#">Wiring</a>	5
4.	<a href="#">Amplification</a>	6
5.	<a href="#">Presets</a>	7
6.	<a href="#">Weatherized</a>	8
7.	<a href="#">Technical Specifications</a>	9

## Safety & Warnings



Read these instructions, keep them available for reference.

This manual can be downloaded from

<https://www.adamsonsystems.com/en/support/downloads-directory/is-series/is7c>



Heed all warnings and follow all instructions.



A qualified technician must be present during the installation and use of this product. This product is capable of producing extremely high sound pressure levels and should be used according to the specified local sound level regulations and good judgement. Adamson Systems Engineering will not be liable for damages caused by any possible misuse of this product.



Servicing is required when the loudspeaker has been damaged in any way, such as when the loudspeaker has been dropped; or when for undetermined reasons the loudspeaker does not operate normally. Inspect your products regularly for any visual or functionality irregularities.

Protect the cabling from being walked on or pinched.

Read the appropriate IS-Series Rigging Manual before installing the product.

Pay attention to rigging instructions included in both Blueprint AV™ and the IS-Series Rigging Manual.

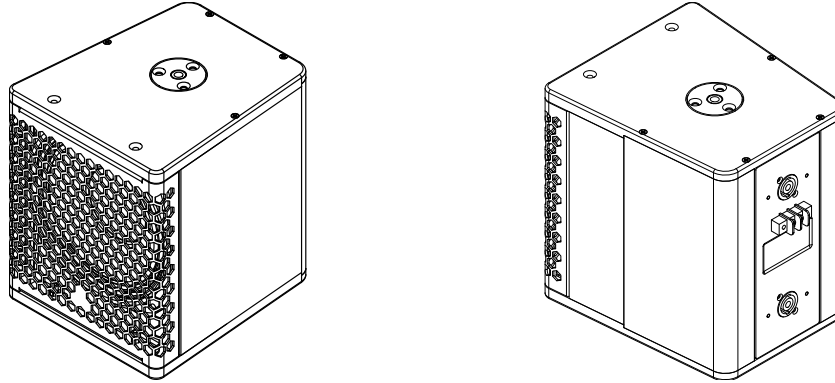
Use only with the rigging frames/accessories specified by Adamson, or sold with the loudspeaker system.

This speaker enclosure is capable of creating a strong magnetic field. Please use caution around the enclosure with data storage devices such as hard drives.

In an effort to continuously improve its products, Adamson releases updated accompanying software, presets and standards for its products. **Adamson reserves the right to change the specifications of its products and the content of its documents with no prior notice.**

# IS7c

## IS7c Ultra Compact Point Source

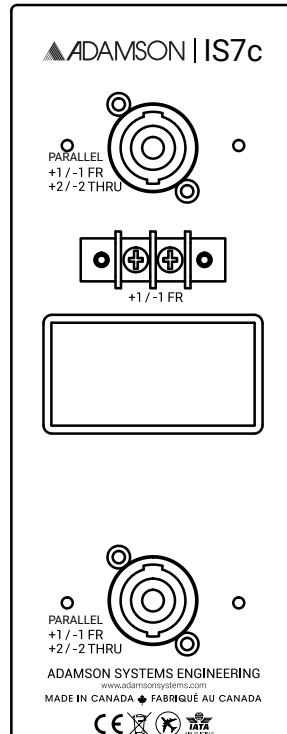


- The IS7c is an ultra-compact, light-weight, point source enclosure with a 90° conical dispersion pattern. Within the enclosure is a passive crossover and Adamson's ND7-C, a coaxial transducer which contains both a 7" low frequency section and a dome compression driver..
- The operational frequency range of the IS7c is 80Hz to 20kHz. A high maximum SPL of 130 dB.
- The enclosure has an unobtrusive visual design which blends seamlessly into the surrounding space, is made of marine grade birch plywood, and has steel rigging discs on the top and bottom, to be used with rigging accessories. Without sacrificing low resonance to composite material, the IS5c weighs only 5.44 kg / 12 lbs.
- The IS7c is intended to be used as either a standalone system, or a fill enclosure in tandem with other IS-Series products. The IS7c is designed to pair easily and coherently with all IS-Series subwoofers.
- The IS7c is designed for use with Lab.gruppen's D-Series line of installation amplifiers. The nominal impedance of the IS7c is 16  $\Omega$ , maximizing amplifier efficiency.

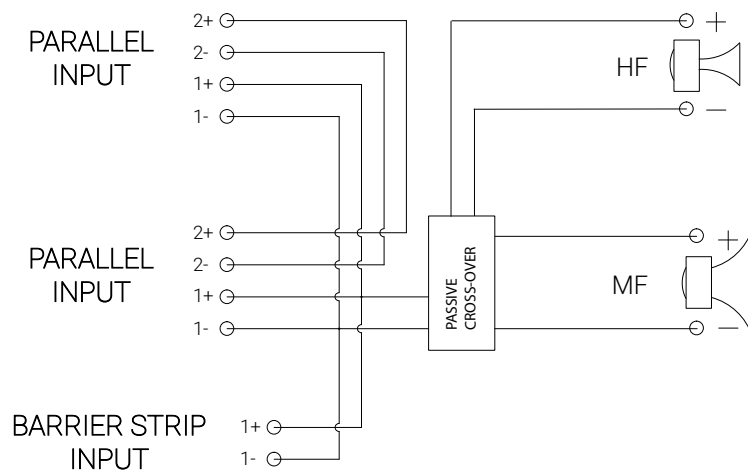
# IS7c

## Wiring

- The **IS7c** (96X-000X, 96X-500X) comes with 2x Neutrik Speakon™ NL4 connections, wired in parallel, as well as an external barrier strip.
- Pins 1+/- are connected to the internal crossover.
- Pins 2+/- are not connected.



IS7c Jackplate



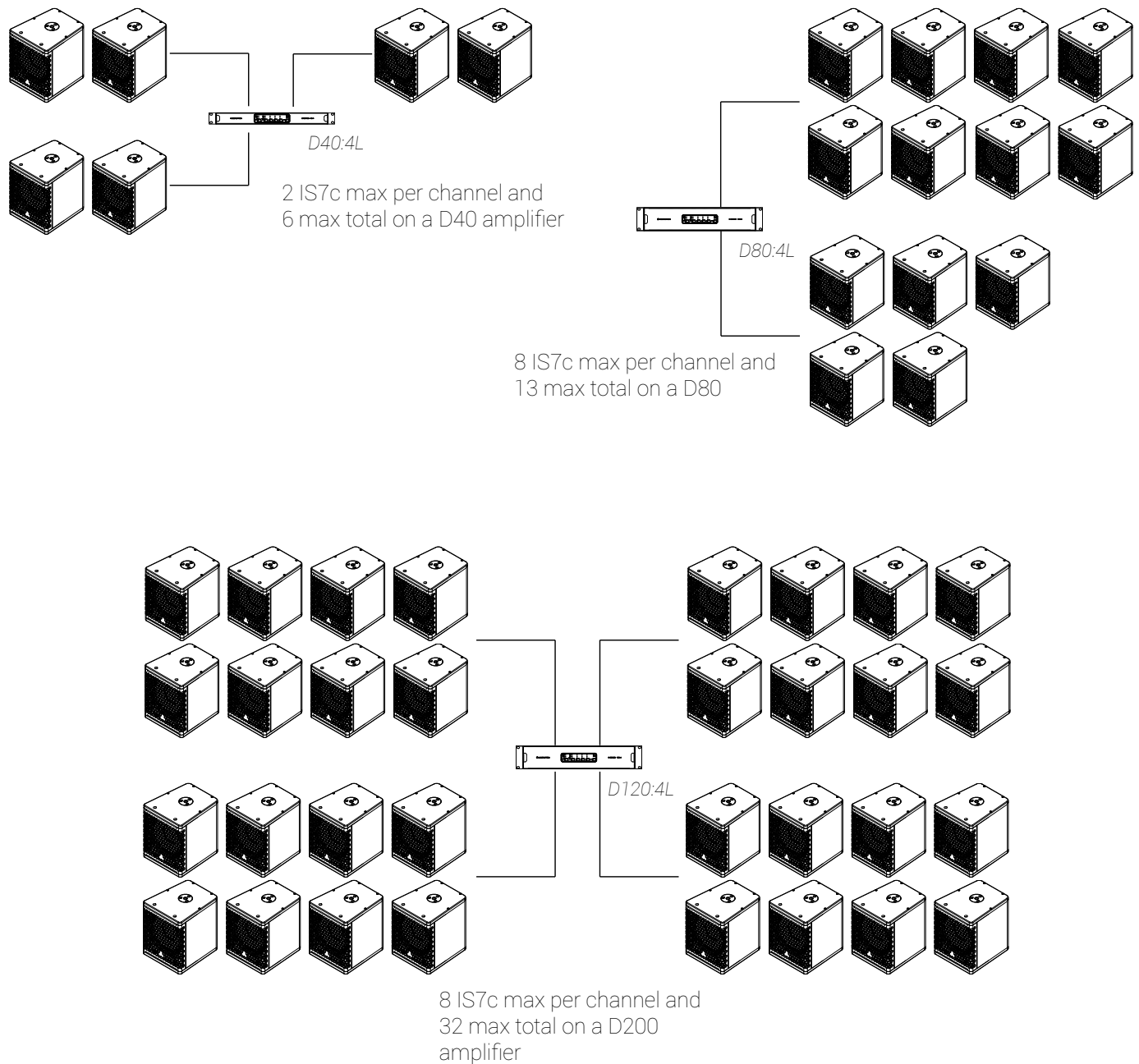
IS7c Internal Wiring

# IS7c

## Amplification

The IS7c is paired with Lab Gruppen **D-Series** amplifiers.  
Maximum quantities of the IS7c per amplifier model are shown below.

For a master list, please refer to the Adamson Amplification Chart, found [here](#), on the Adamson website.



# IS7c

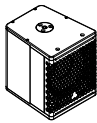
## Presets

The [Adamson Load Library](#) contains presets designed for the deployment of the IS7c. There are presets designed to pair with either Adamson subs, or Adamson Line Arrays. For a master list, please refer the Adamson PLM & Lake Handbook, found [here](#), on our website.

Cabinet Configuration

Applicable Preset

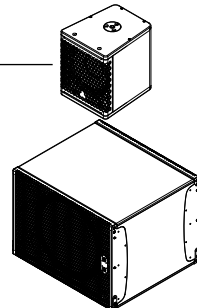
Cabinet Configuration



CC IS7c FR  
*Fullrange Mode*

CC IS7c Xo100  
*Low Cut at 100 Hz*

*Add 5ms of delay for  
alignment of IS-Series Subs at  
same distance*



## Weatherized

IS-Series weatherized models add an additional layer of environmental and corrosion protection to Adamson's already durable cabinet design. Weatherized enclosures are ideal for marine and coastal venues, outdoor stadiums, open-air performance spaces, and other permanent outdoor installations.

IS-Series weatherized cabinets are rated IP55 and feature the following additional protective features.

### Corrosion resistance

Corrosion resistance extends the lifetime performance of your system in outdoor venues where water, salt and acidity can impact durability and function.

All structural steel elements of Adamson weatherized cabinets – including rigging and rigging links – are made of a high yield strength stainless steel alloy that offers 100% corrosion resistance.

Cabinet hardware is made of non-plated stainless steel, designed to provide exceptional rust and corrosion resistance, particularly in high-saline environments.

### Environmental sealing

Additional protection of the cabinet helps ensure that loudspeaker performance isn't impeded by the harsh environments in which your system is deployed.

To guard against water and particle intrusion, the same two-part polyurea coating that gives Adamson cabinets their life-extending exterior protection is applied to the interior of the enclosure, creating a complete seal. Weatherized models feature an exterior coating with a distinctive smooth finish that allows for easy cleaning and removal of contaminants like dirt, grime, salt water or sand.

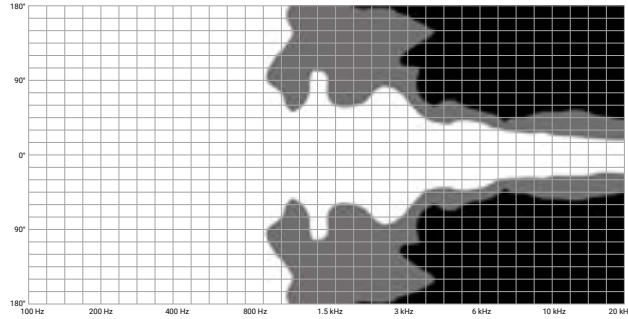
To protect against dust and other particles, a fine stainless steel mesh has been added to all points of entry including behind the front grille screens.

Cabling for the IS-Series weatherized cabinets is pre-wired and protected inside a gasket-sealed jackplate, with gland nuts in place to seal the connection points.



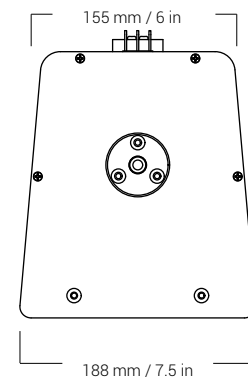
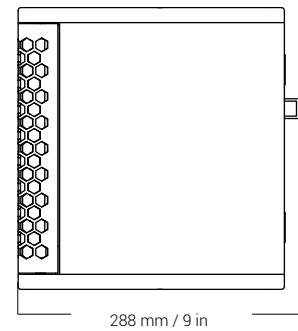
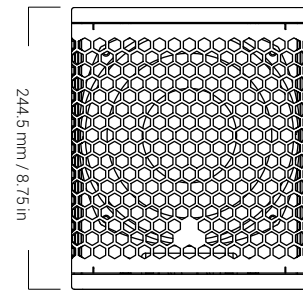
# IS7c

## Technical Specifications



IS7c Dispersion Pattern (Conical)

Frequency Range (- 10 dB)	80 Hz - 20 kHz
Nominal Directivity (-6 dB) H x V	90° Conical
Maximum Peak SPL**	130 dB
Coaxial Component	7" LF / 1.7" Dome Compression Driver
Nominal Impedance	16 Ω
Power Handling (AES / Peak) LF	300 / 1000 W
Rigging	Top and Bottom mini-SLR discs, each containing 3/8" threaded insert
Connection	2x Speakon™ NL4 and 2-Point Barrier Strip
Height (mm / in)	244.5 / 8.75
Width Front (mm / in)	188 / 7.5
Width Rear (mm / in)	155 / 6
Depth (mm / in)	228 / 9
Weight (kg / lbs)	5.44 / 12
Colour	Black & White (Standard), RAL Colours (On Demand)
Processing	Lake



\*\*12 dB crest factor pink noise at 1m, free field, using specified processing and amplification