

**VOID**

Hear. Feel. Connect.

voidacoustics.com



# Venu V2i Powered Series

The ultimate choice

**USER GUIDE**

©2024 Void Acoustics Research Ltd.

This user guide is subject to change without notice.  
For the latest online version, visit: [www.voidacoustics.com](http://www.voidacoustics.com)

Void Acoustics and the Void logo are registered trademarks of Void Acoustics Research Ltd. in the United Kingdom, USA and other countries; all other Void trademarks are the property of Void Acoustics Research Ltd.

# Contents

|          |  |           |
|----------|--|-----------|
| <b>1</b> | <b>Safety and Regulations</b>                | <b>5</b>  |
| 1.1      | Important safety instructions                | 5         |
| 1.2      | Limitations                                  | 5         |
| 1.3      | EC declaration of conformity                 | 5         |
| 1.4      | UKCA conformity                              | 5         |
| 1.5      | Warranty statement                           | 5         |
| 1.6      | WEEE directive                               | 5         |
| <b>2</b> | <b>Unpacking and Checking</b>                | <b>6</b>  |
| <b>3</b> | <b>About</b>                                 | <b>7</b>  |
| 3.1      | Welcome                                      | 7         |
| 3.2      | Overview                                     | 7         |
| <b>4</b> | <b>Cable and Wiring</b>                      | <b>8</b>  |
| 4.1      | Electrical safety                            | 8         |
| 4.2      | Cable considerations for fixed installations | 8         |
| 4.3      | Venu 208i wiring                             | 8         |
| 4.4      | Input connectors                             | 9         |
| 4.5      | Output connectors                            | 9         |
| 4.6      | Fuse rating                                  | 10        |
| 4.7      | Venu 210i V2 wiring                          | 11        |
| 4.8      | Input connectors                             | 12        |
| 4.9      | Output connectors                            | 12        |
| 4.10     | Venu 215i V2 wiring                          | 13        |
| 4.11     | Input connectors                             | 14        |
| 4.12     | Output connectors                            | 14        |
| <b>5</b> | <b>DSP</b>                                   | <b>15</b> |
| 5.1      | Venu 208i components                         | 15        |
| 5.2      | Venu 210i V2 components                      | 16        |
| 5.3      | Venu 215i V2 components                      | 17        |
| 5.4      | Venu 208i factory presets                    | 18        |
| 5.5      | Venu 210i factory presets                    | 18        |
| 5.6      | Venu 215i V2 factory presets                 | 18        |
| 5.7      | Selecting your preset                        | 18        |
| 5.8      | LED chart                                    | 19        |
| 5.9      | Software                                     | 20        |
| 5.9.1    | Changing network settings                    | 21        |
| 5.9.2    | Changing default presets                     | 22        |

# Contents

|          |   |           |
|----------|---|-----------|
| 5.10     | Network troubleshooting                         | 24        |
| 5.11     | Power management                                | 25        |
| 5.10     | Processing architecture                         | 26        |
| 5.12     | Internal signal path polarity                   | 27        |
| <b>6</b> | <b>Mounting</b>                                 | <b>28</b> |
| 6.1      | Installation safety                             | 28        |
| 6.2      | Venu 208i yoke bracket                          | 29        |
| 6.3      | Venu 208i wall mounting                         | 30        |
| 6.3      | Venu 208i wall mounting                         | 31        |
| 6.4      | Venu 208i ceiling mounting                      | 32        |
| 6.4      | Venu 208i ceiling mounting                      | 33        |
| 6.5      | Venu 210i mounting                              | 34        |
| 6.6      | Venu 215i mounting                              | 35        |
| <b>7</b> | <b>Service</b>                                  | <b>36</b> |
| 7.1      | Return authorisation                            | 36        |
| 7.2      | Shipping and packing considerations             | 36        |
| <b>8</b> | <b>Appendix A: Specifications</b>               | <b>37</b> |
| A.1      | Venu 208i specifications                        | 37        |
| A.2      | Venu 210i V2 specifications                     | 38        |
| A.3      | Venu 215i V2 specifications                     | 39        |
| <b>8</b> | <b>Appendix B: Dimensions</b>                   | <b>40</b> |
| B.1      | Venu 208i dimensions                            | 40        |
| B.2      | Venu 210i V2 dimensions                         | 41        |
| B.3      | Venu 215i V2 dimensions                         | 42        |
| <b>8</b> | <b>Appendix C: Architectural specifications</b> | <b>43</b> |
| C.1      | Venu 208i                                       | 43        |
| C.2      | Venu 210i V2                                    | 43        |
| C.3      | Venu 215i V2                                    | 44        |

# 1 Safety and Regulations

## 1.1 Important safety instructions



The lightning flash with an arrowhead symbol within an equilateral triangle is intended to alert the user to the presence of uninsulated "dangerous voltage" within the product's enclosure that may be of sufficient magnitude to constitute a risk of electric shock to persons.



The exclamation point within an equilateral triangle is intended to alert the user of the presence of important operating and maintenance (servicing) instructions in the literature accompanying the appliance.

### Safety instructions - read this first

1. Read these instructions.
2. Keep these instructions.
3. Heed all warnings.
4. Follow all instructions.
5. Do not use this apparatus near water.
6. Clean only with a dry cloth.
7. Do not block any ventilation openings. Install in accordance with the manufacturer's instructions.
8. Do not install near any heat source such as radiators, heat registers, stoves, or other such apparatus that produce heat.
9. Do not defeat the safety purpose of the grounding-type plug. A grounding type plug has two blades and a third grounding prong. The third prong is provided for your safety. If the provided plug does not fit into your outlet, consult an electrician for replacement of the obsolete outlet.
10. Protect power cords from being walked on or pinched particularly at plugs, convenience receptacles, and the point where they exit the apparatus.
11. Only use attachments and accessories specified by Void Acoustics.
12. Only use with the cart, stand, tripod, bracket, or table specified by the manufacturer, or sold with the apparatus. When a cart is used, use caution when moving the cart/apparatus combination to avoid injury from tip-over.
13. Unplug the apparatus during lightning storms or when unused for long periods of time.
14. Refer all servicing to qualified service personnel. Servicing is required when the apparatus has been damaged in any way, such as when the power-supply cord or plug is damaged, liquid has been spilled or objects have fallen into the apparatus, the apparatus has been exposed to rain or moisture, does not operate normally, or has been dropped.
15. Since the mains power supply cord attachment plug is used to disconnect the device, the plug should always be easily accessible.
16. Void loudspeakers can produce sound levels capable of causing permanent hearing damage from prolonged exposure. The higher the sound level, the less exposure needed to cause such damage. Avoid prolonged exposure to the high sound levels from the loudspeaker.

## 1.2 Limitations

This guide is provided to help familiarise the user with the loudspeaker system and its accessories. It is not intended to provide comprehensive electrical, fire, mechanical and noise training and is not a substitute for industry-approved training. Nor does this guide absolve the user of their obligation to comply with all relevant safety legislation and codes of practice. While every care has been taken in creating this guide, safety is user-dependent and Void Acoustics Research Ltd cannot guarantee complete safety whenever the system is rigged and operated.

## 1.3 EC declaration of conformity

For EC Declaration of Conformity please go to:

[www.voidacoustics.com/eu-declaration-loudspeakers](http://www.voidacoustics.com/eu-declaration-loudspeakers)

## 1.4 UKCA marking

For details of the UKCA marking go to:

[www.voidacoustics.com/uk-declaration-loudspeakers](http://www.voidacoustics.com/uk-declaration-loudspeakers)

## 1.5 Warranty statement

For warranty statement go to:

<https://voidacoustics.com/terms-conditions/>

## 1.6 WEEE directive

If the time arises to throw away your product, please recycle all the components possible.



This symbol indicates that when the end-user wishes to discard this product, it must be sent to separate collection facilities for recovery and recycling. By separating this product from other household-type waste, the volume of waste sent to incinerators or land-fills will be reduced and natural resources will thus be conserved.

The Waste Electrical and Electronic Equipment Directive (WEEE Directive) aims to minimise the impact of electrical and electronic goods on the environment. Void Acoustics Research Ltd complies with the Directive 2002/96/EC and 2003/108/EC of the European Parliament on waste electrical and electronic equipment (WEEE) in order to reduce the amount of WEEE that is being disposed of in land-fill sites. All of our products are marked with the WEEE symbol; this indicates that this product must NOT be disposed of with other waste. Instead it is the user's responsibility to dispose of their waste electrical and electronic equipment by handing it over to an approved reprocessor, or by returning it to Void Acoustics Research Ltd for reprocessing. For more information about where you can send your waste equipment for recycling, please contact Void Acoustics Research Ltd or one of your local distributors.

## 2 Unpacking and Checking

All Void Acoustics products are carefully manufactured and thoroughly tested before being despatched. Your dealer will ensure that your Void products are in pristine condition before being forwarded to you but mistakes and accidents can happen.

Before signing for your delivery:

- Inspect your shipment for any signs of contamination, abuse or transit damage as soon as you receive it
- Check your Void Acoustics delivery fully against your order
- If your shipment is incomplete or any of its contents are found to be damaged; inform the shipping company and inform your dealer.

When you are removing your Venu V2i Powered Series loudspeaker from its original packaging:

- Venu V2i Powered Series loudspeakers come double boxed and each box is stapled shut; take care when unboxing and removing the staples to avoid injury or damage to the loudspeaker
- If you need to place the Venu V2i Powered Series loudspeaker on a flat surface ensure you use a lint free product to protect the finish
- When you have removed the Venu V2i Powered Series loudspeaker from the packaging inspect it to ensure there is no damage and keep all original packaging in case it needs to be returned for any reason.

See section 1.5 for warranty conditions and see section 7 if your product needs servicing.

# 3 About

## 3.1 Welcome

Many thanks for purchasing this Void Acoustics Venu V2i Powered Series loudspeaker. We truly appreciate your support. At Void, we design, manufacture and distribute advanced professional audio systems for the installed and live sound market sectors. Like all Void products, our highly skilled and experienced engineers have successfully combined pioneering technologies with groundbreaking design aesthetics, to bring you superior sound quality and visual innovation. In buying this product, you are now part of the Void family and we hope using it brings you years of satisfaction. This guide will help you both use this product safely and ensure it performs to its full capability.

## 3.2 Overview

Venu V2i Powered Series loudspeakers are trailblazing professional audio products. Operating as self-powered low frequency and subwoofer enclosures, they are capable of powering multiple Void mid-high enclosures from their integral Class D power modules with built-in DSP for loudspeaker control and advanced signal processing capabilities. Featuring combination Jack/XLR inputs and speakON™ outputs, supported by yoke, wall, and ceiling mounting accessories (see accessories section for your specific model) enabling the multi-laminate birch plywood enclosures to be securely and permanently installed and protected from damage by tough perforated steel grilles. These advanced features and the evocative Void sound combine to provide flawless bass reproduction for commercial and residential applications, satisfying the requirements of leading sound installation contractors and integrators around the world, and making the Venu V2i Powered Series the ultimate choice for bars, clubs, lounges, hotels and restaurants.

### Powered low frequency loudspeakers

- Venu 208i
- Venu 210i V2
- Venu 215i V2

# 4 Cable and Wiring

## 4.1 Electrical safety

To avoid electrical hazards please note the following:



- Do not access the inside of any electrical equipment. Refer servicing to Void-approved service agents.

## 4.2 Cable considerations for fixed installations

We recommend specifying installation-grade Low Smoke Zero Halogen (LSZH) cables for permanent installations. The cables should use Oxygen Free Copper (OFC) of grade C11000 or above. Cables for permanent installations should be compliant with the following standards:

- IEC 60332.1 Fire retardancy of a single cable
- IEC 60332.3C Fire retardancy of bunched cables
- IEC 60754.1 Amount of Halogen Gas Emissions
- IEC 60754.2 Degree of acidity of released gases
- IEC 61034.2 Measurement of smoke density.

## 4.3 Venu 208i wiring

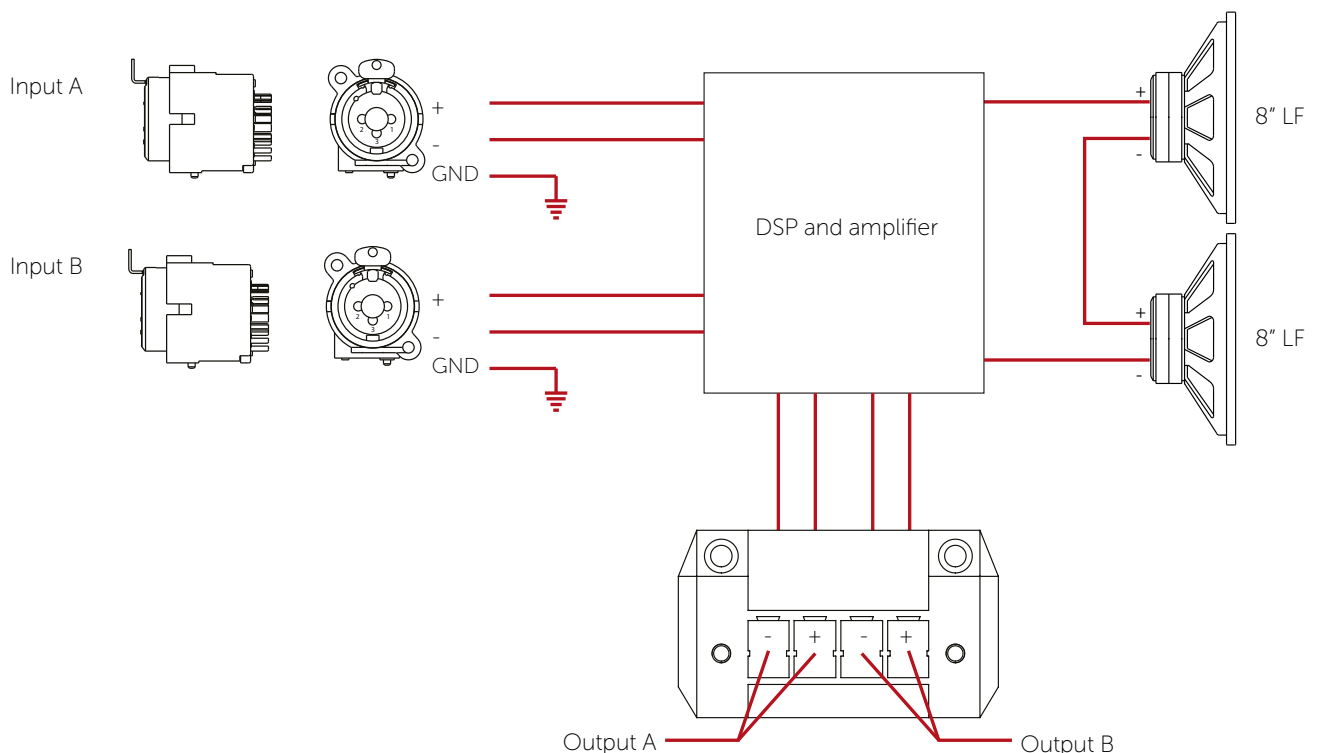


Figure 4.1: Venu 208i wiring diagram



# 4 Cable and Wiring

## 4.4 Venu 208i Input connectors

Analogue input XLR-M pinout

|       |        |
|-------|--------|
| Pin 1 | GND    |
| Pin 2 | Hot +  |
| Pin 3 | Cold - |

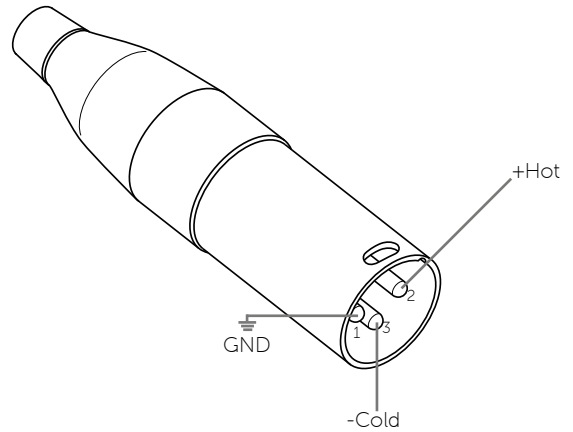


Figure 4.2: XLR-M diagram

Analogue input TRS Jack pinout

|        |        |
|--------|--------|
| Tip    | Hot +  |
| Ring   | Cold - |
| Sleeve | GND    |

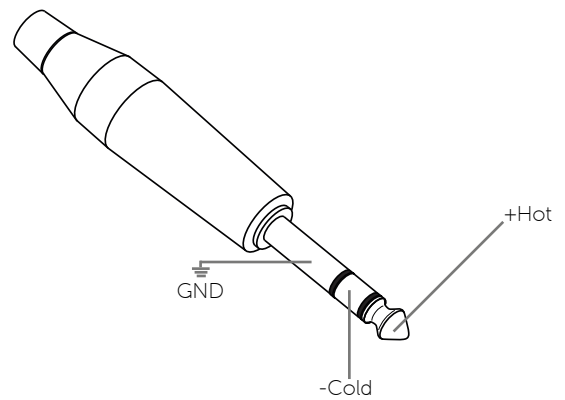


Figure 4.3: TRS Jack diagram

## 4.5 Venu 208i Output connectors

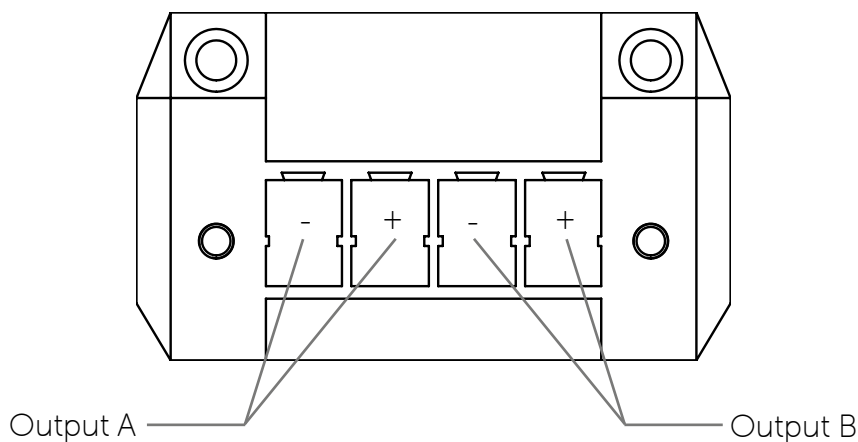


Figure 4.4: Output phoenix connector

# 4 Cable and Wiring

## 4.6 Fuse rating Venu 208i

All Venu 208i loudspeakers have two voltage options, 230 V and 115 V, depending on the orientation of the fuse holder. To change the voltage follow these steps.



**Step 1:** Remove the fuse holder cover by using a flat head screwdriver as shown.



**Step 2:** Remove the fuse holder by using a flat head screwdriver as shown.



**Step 3:** Remove the fuse holder and rotate so that the voltage rating you require is oriented to the left.



**Step 4:** Insert the fuse holder ensuring it is fully engaged.



**Step 5:** Push the fuse holder cover in so that it is completely sealed.

# 4 Cable and Wiring

## 4.7 Venu 210i V2 wiring

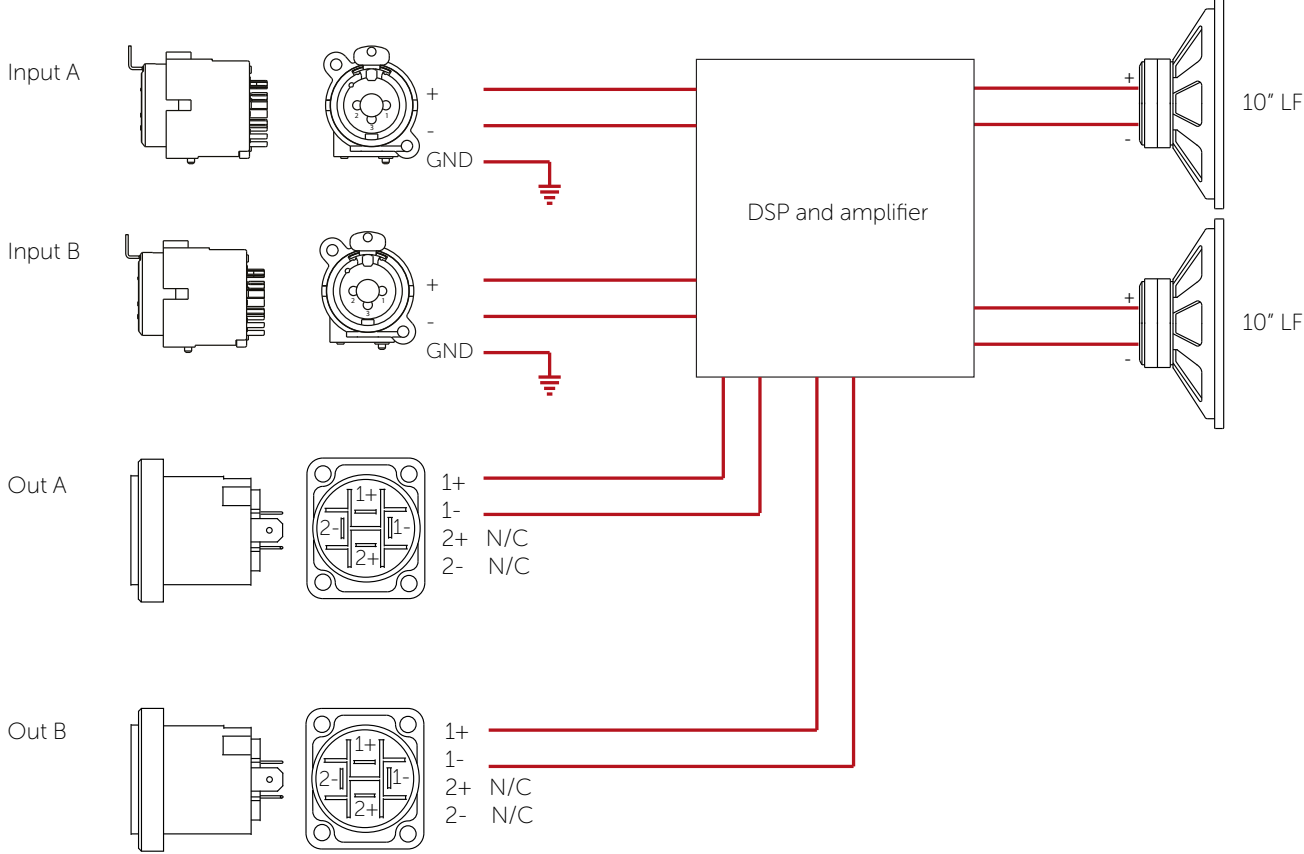


Figure 4.5: Venu 210i V2 wiring diagram

# 4 Cable and Wiring

## 4.8 Venu 210i Input connectors

Analogue input XLR-M pinout

|       |        |
|-------|--------|
| Pin 1 | GND    |
| Pin 2 | Hot +  |
| Pin 3 | Cold - |

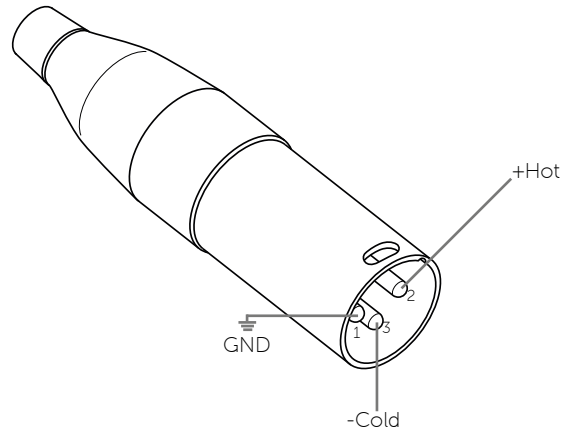


Figure 4.6: XLR-M diagram

Analogue input TRS Jack pinout

|        |        |
|--------|--------|
| Tip    | Hot +  |
| Ring   | Cold - |
| Sleeve | GND    |

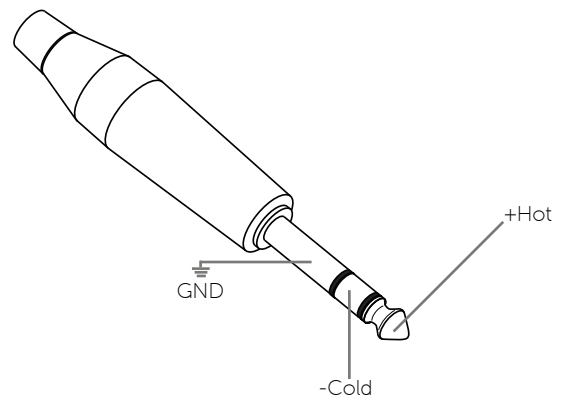


Figure 4.7: TRS Jack diagram

## 4.9 Venu 210i Output connectors

Loudspeaker output Neutrik speakON™

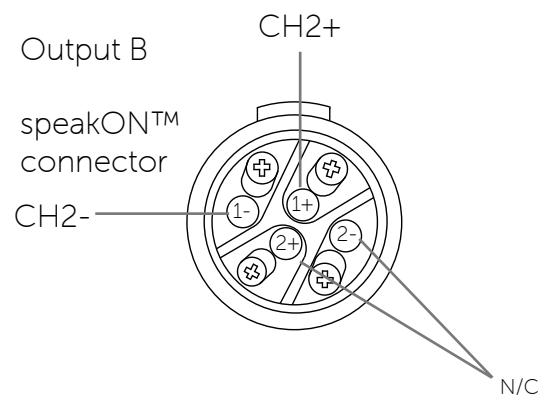
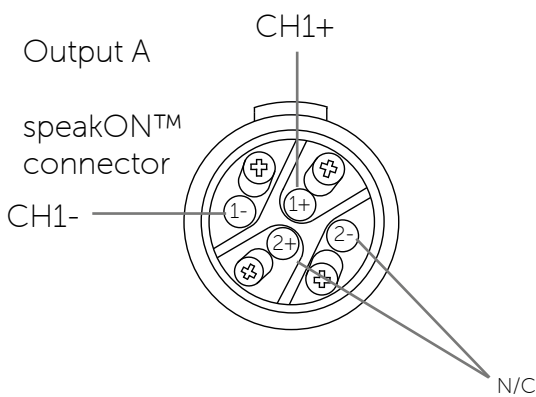


Figure 4.8: Channel 1 and 2 speakON™ connector diagram. Note: pins 2+/2- are not connected.

# 4 Cable and Wiring

## 4.10 Venu 215i V2 wiring

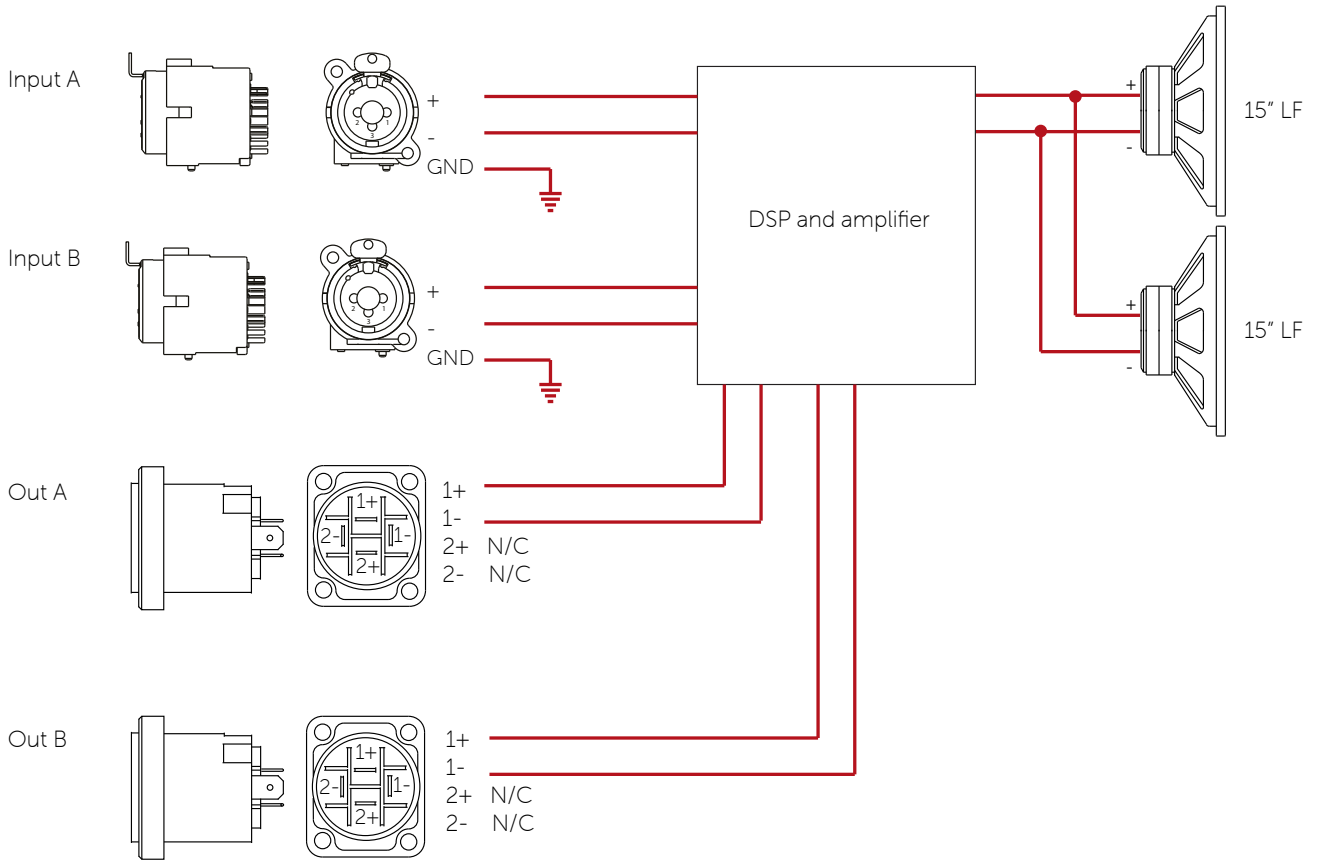


Figure 4.9: Venu 215i V2 wiring diagram

# 4 Cable and Wiring

## 4.11 Venu 215i Input connectors

Analogue input XLR-M pinout

|       |        |
|-------|--------|
| Pin 1 | GND    |
| Pin 2 | Hot +  |
| Pin 3 | Cold - |

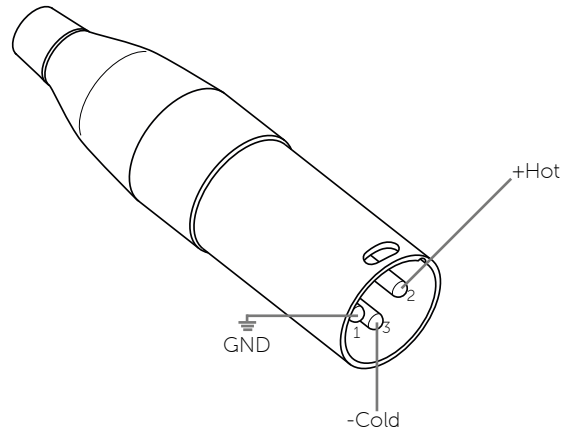


Figure 4.10: XLR-M diagram

Analogue input TRS Jack pinout

|        |        |
|--------|--------|
| Tip    | Hot +  |
| Ring   | Cold - |
| Sleeve | GND    |

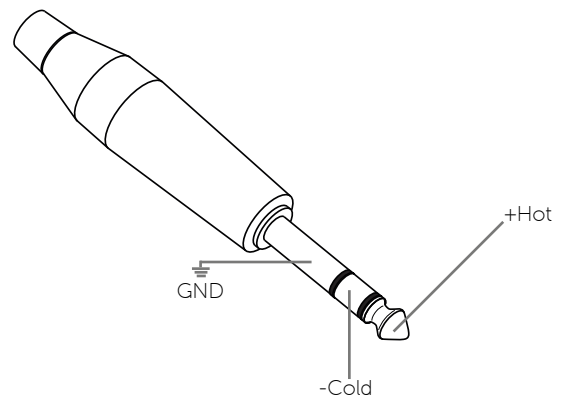


Figure 4.11: TRS Jack diagram

## 4.12 Venu 215i Output connectors

Loudspeaker output Neutrik speakON™

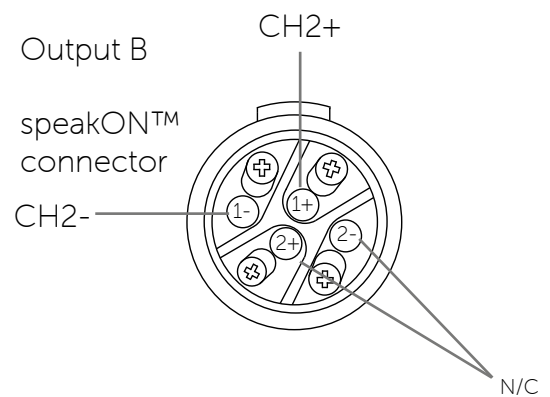
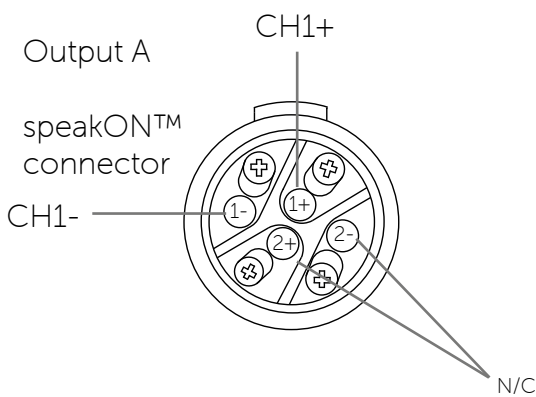


Figure 4.12: Channel 1 and 2 speakON™ connector diagram. Note: pins 2+/2- are not connected.

# 5 DSP

## 5.1 Venu 208i components

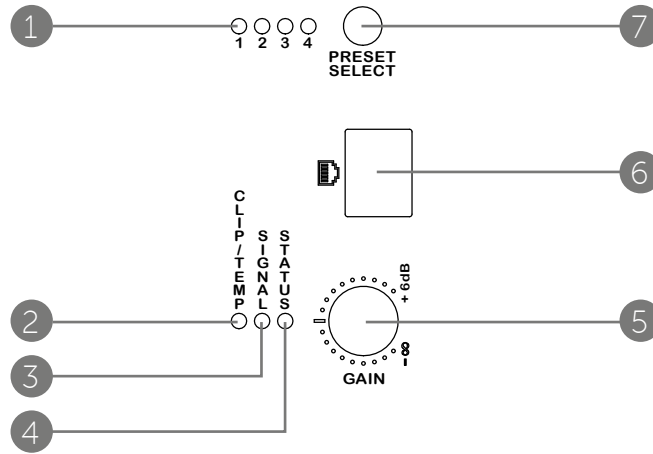


Figure 5.1: LED panel

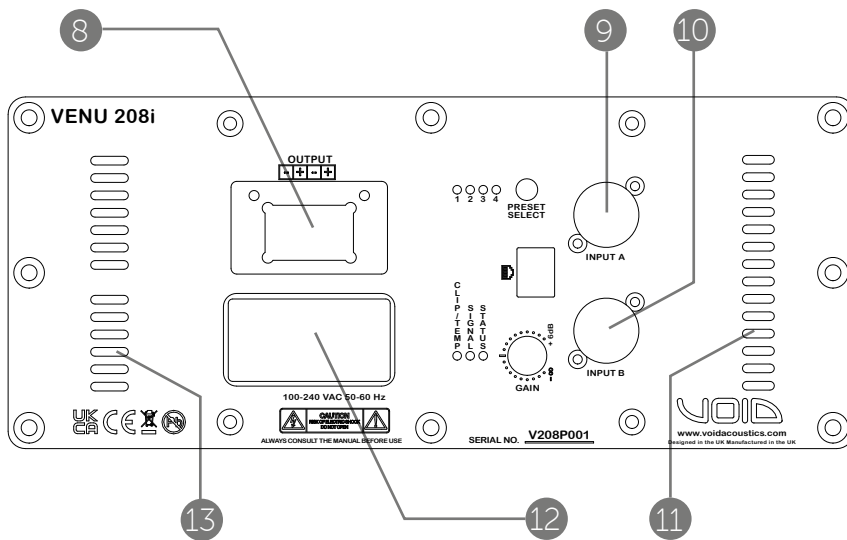


Figure 5.2: Rear panel

- |   |   |
|---|---|
| <ul style="list-style-type: none"> <li>1. Preset LEDs</li> <li>2. Signal clipping LED</li> <li>3. Signal presence/limiting LED</li> <li>4. Status LED</li> <li>5. Volume potentiometer</li> <li>6. Ethernet connector</li> <li>7. Preset select</li> <li>8. Phoenix connector output</li> </ul> | <ul style="list-style-type: none"> <li>9. Combi Jack - XLR input signal connector input A</li> <li>10. Combi Jack - XLR input signal connector input B</li> <li>11. Exhaust vent</li> <li>12. IEC C13 power input</li> <li>13. Fan inlet</li> </ul> |
|---|---|

# 5 DSP

## 5.2 Venu 210i V2 components

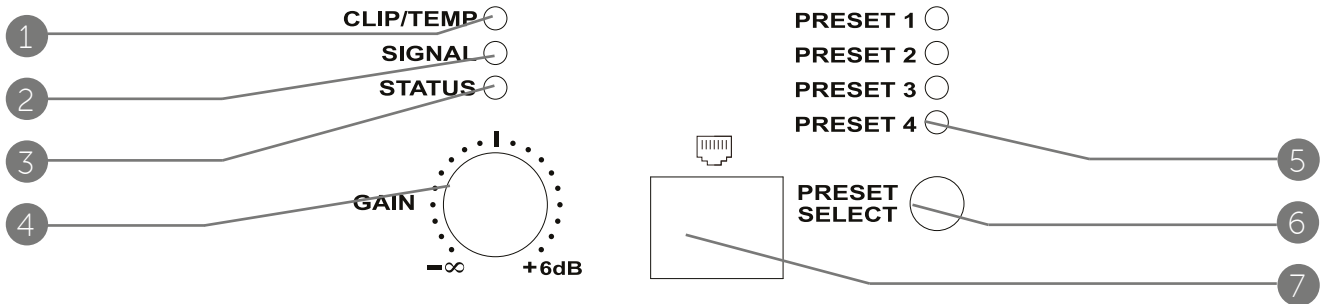


Figure 5.3: LED panel

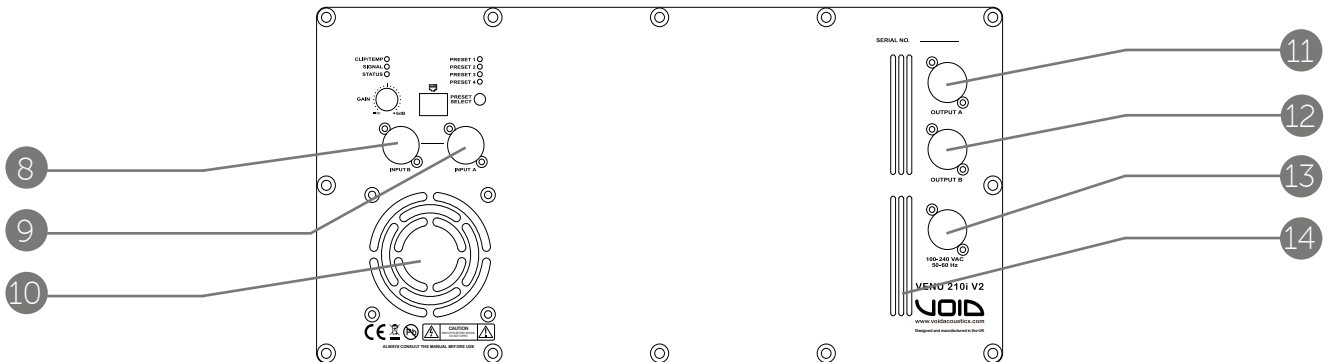


Figure 5.4: Rear panel

- |  |   |
|--|---|
| <ol style="list-style-type: none"> <li>1. Signal clipping LED</li> <li>2. Signal presence/limiting LED</li> <li>3. Status LED</li> <li>4. Volume potentiometer</li> <li>5. Preset LEDs</li> <li>6. Preset select</li> <li>7. Ethernet connector</li> <li>8. Combi Jack - XLR input signal connector input B</li> </ol> | <ol style="list-style-type: none"> <li>9. Combi Jack - XLR input signal connector input A</li> <li>10. Fan Inlet</li> <li>11. Neutrik speakON™ output A</li> <li>12. Neutrik speakON™ output B</li> <li>13. PowerCon™ power input</li> <li>14. Exhaust vents</li> </ol> |
|--|---|



# 5 DSP

## 5.3 Venu 215i V2 components

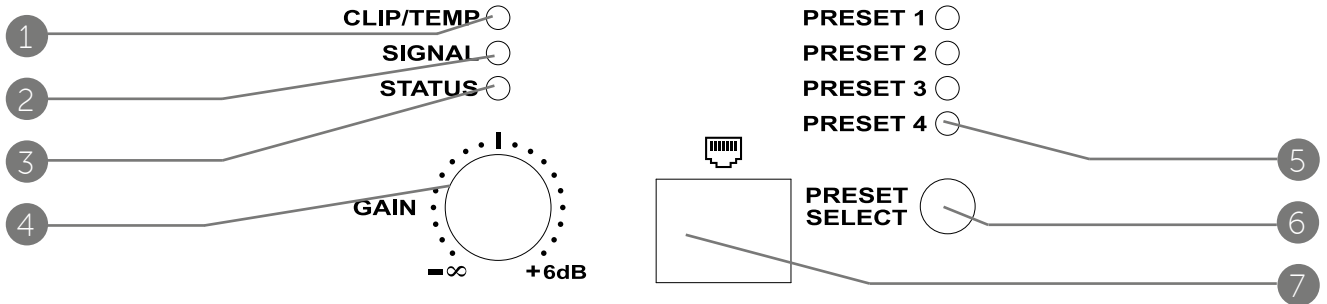


Figure 5.5: LED panel

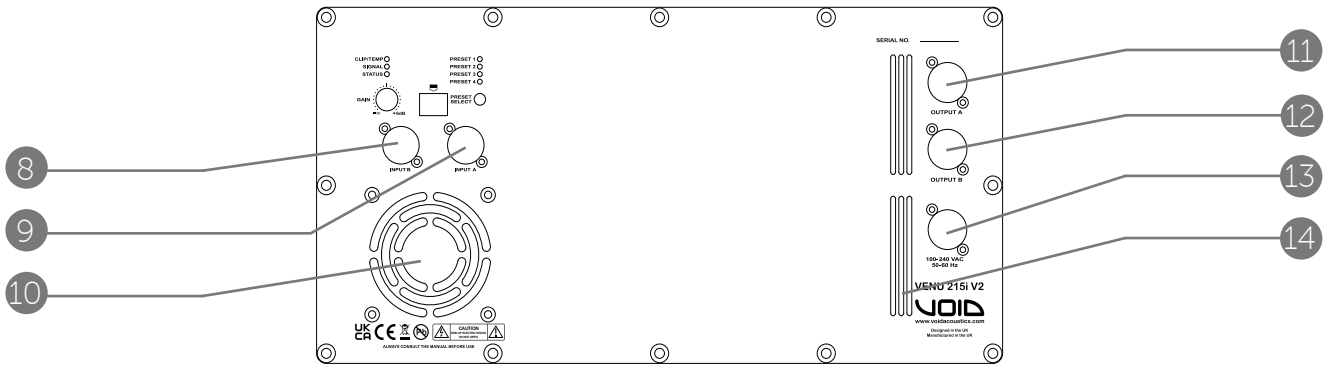


Figure 5.6: Rear panel

- |  |   |
|--|---|
| <ul style="list-style-type: none"> <li>1. Signal clipping LED</li> <li>2. Signal presence/limiting LED</li> <li>3. Status LED</li> <li>4. Volume potentiometer</li> <li>5. Preset LEDs</li> <li>6. Preset select</li> <li>7. Ethernet connector</li> <li>8. Combi Jack - XLR input signal connector input B</li> </ul> | <ul style="list-style-type: none"> <li>9. Combi Jack - XLR input signal connector input A</li> <li>10. Fan Inlet</li> <li>11. Neutrik speakON™ output A</li> <li>12. Neutrik speakON™ output B</li> <li>13. PowerCon™ power input</li> <li>14. Exhaust vents</li> </ul> |
|--|---|

# 5 DSP

## 5.3 Venu 208i factory presets

Factory presets for the Venu 208i are as follows:

|          |            |
|----------|------------|
| Preset 1 | Cyclone 4  |
| Preset 2 | Cyclone 55 |
| Preset 3 | Indigo 6s  |
| Preset 4 | Venu 6 V2  |

## 5.4 Venu 210i V2 factory presets

Factory presets for the Venu 210i V2 are as follows:

|          |            |
|----------|------------|
| Preset 1 | Air 8      |
| Preset 2 | Cyclone 55 |
| Preset 3 | Indigo 6S  |
| Preset 4 | Venu 6 V2  |

## 5.5 Venu 215i V2 factory presets

Factory presets for the Venu 215i V2 are as follows:

|          |            |
|----------|------------|
| Preset 1 | Air 8      |
| Preset 2 | Airten V3  |
| Preset 3 | Cyclone 10 |
| Preset 4 | Venu 10 V2 |

## 5.6 Selecting your preset

To change your Venu 208i, Venu 210i V2, Venu 215i V2 preset

1. Apply power to the amplifier
2. Wait 15 seconds for the amplifier to initialize
3. Press the preset button
4. The next selected preset light will begin flashing
5. When the preset LED stops flashing and becomes steady the amplifier is ready to use in that preset mode.

For alternative loudspeaker presets, please download the relevant files from the support documents tab found on <https://voidacoustics.com/resources-and-support>

# 5 DSP

## 5.6 LED chart - Venu 208i, Venu 210i and Venu 215i V2

### Clip/temp LED

| Colour | Solid on                    | Action required    |
|--------|-----------------------------|--------------------|
| Off    | Temperature OK, no clipping | No action required |
| Yellow | High amplifier temperature  | Reduce system gain |
| Red    | Output signal clipping      | Reduce system gain |

### Signal LED

| Colour | Solid on                                  | Action required    |
|--------|---|--------------------|
| Green  | Input signal present, output not in limit | No action required |
| Yellow | Output limiter engaging                   | Reduce system gain |
| Red    | Input signal clipping                     | Reduce input gain  |

### Status LED

| Colour | Solid ON  |
|--------|---|
| Off    | System off  |
| Green  | System ready to play, auto standby mode disabled                  |
| Cyan   | System ready to play, auto standby mode enabled                   |
| Blue   | System in standby mode: no signal detected in the last 15 minutes |

# 5 DSP

## 5.7 Software

1. Download and install Armonia Plus from the support page on the Void Acoustics website. Download the Venu powered speaker model from the marketplace within Armonia Plus
2. Connect an ethernet cable from the Venu powered speaker to the PC or router
3. Open Armonia Plus and click on the cog wheel in the bottom right corner of the window. Ensure that the appropriate network interface is enabled under the Communication Manager tab

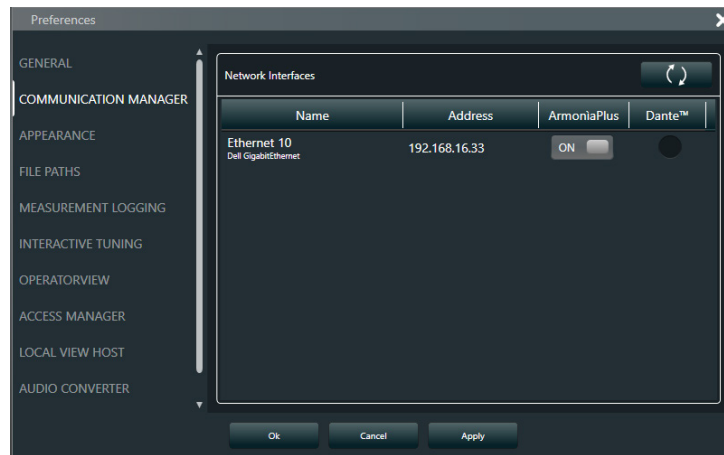


Figure 5.7: Armonia Plus communications manager

4. Click on Match under the design tab, then Discovery. Armonia Plus should now be able to detect the device.

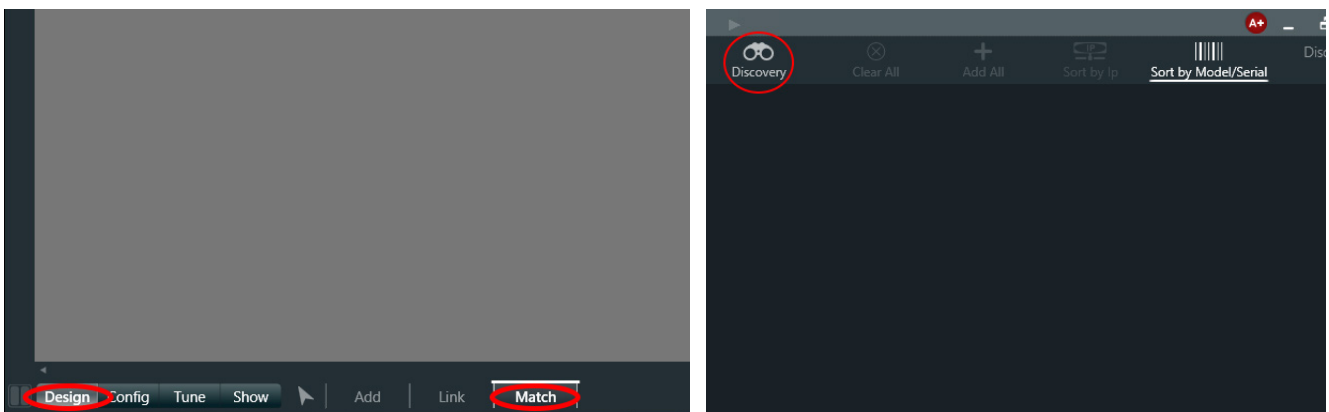


Figure 5.8: Armonia Plus tab selection

5. Click on the red Synchronisation button in the top right corner of the window. Turn Synchronisation on. You will now be able to add the device to the workspace and access the DSP.

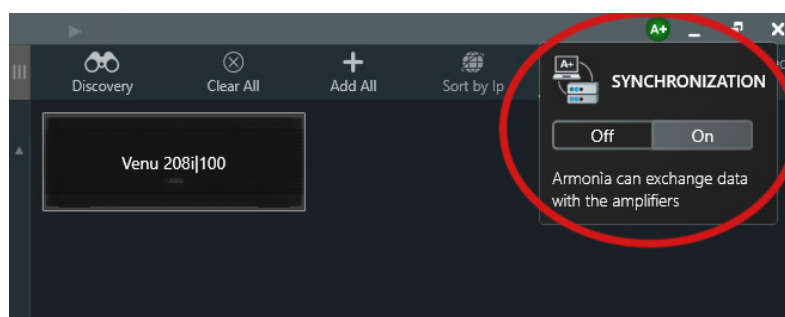


Figure 5.9: Synchronisation and DSP access

# 5 DSP

## 5.7.1 Changing network setting

Once added to the workspace, double click on the Venu powered speaker to access the processing options. The Network Settings section is available by clicking on the button under the Scheme window. Here you can view the current ethernet status and change address settings.

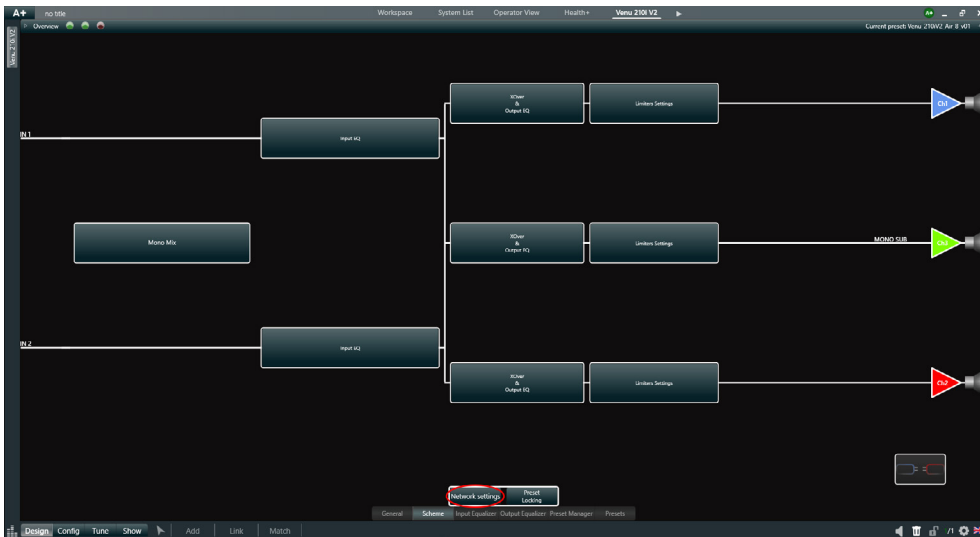


Figure 5.10: Scheme window

In order to set a static IP, click on Change Address Settings, choose Static as Addressing Mode and enter the chosen IP address. Be aware that changing these settings could break communication with the Venu powered speaker. Confirm the changes by clicking on Apply Settings. The new static IP will be applied immediately.

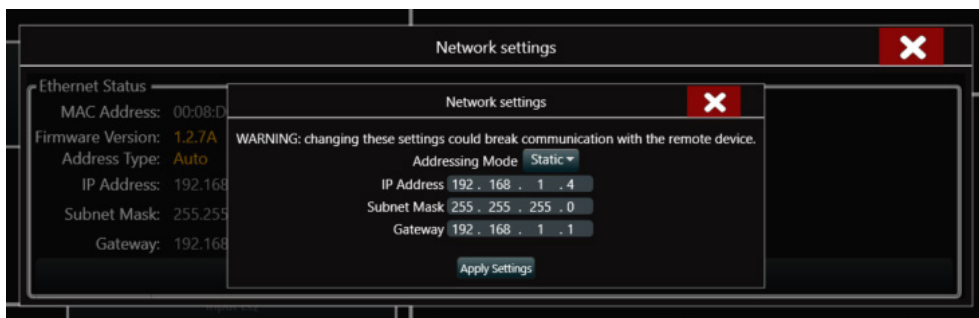


Figure 5.11: Network settings

# 5 DSP

## 5.7.2 Changing default presets

Download and unzip a preset pack from the 'support docs' section on the product page of the Void website. After loading in your powered speaker model to the Add page, select the arrow tool between the 'Show' and 'Add' buttons, then double click on the Venu powered speaker (Venu 208i shown) to access the amp settings. From the row of amp DSP options along the bottom select 'presets'



Figure 5.12: Scheme window

Now select which one of the four available preset slots you wish to edit by choosing the relevant 'recall' button (preset 2 selected)

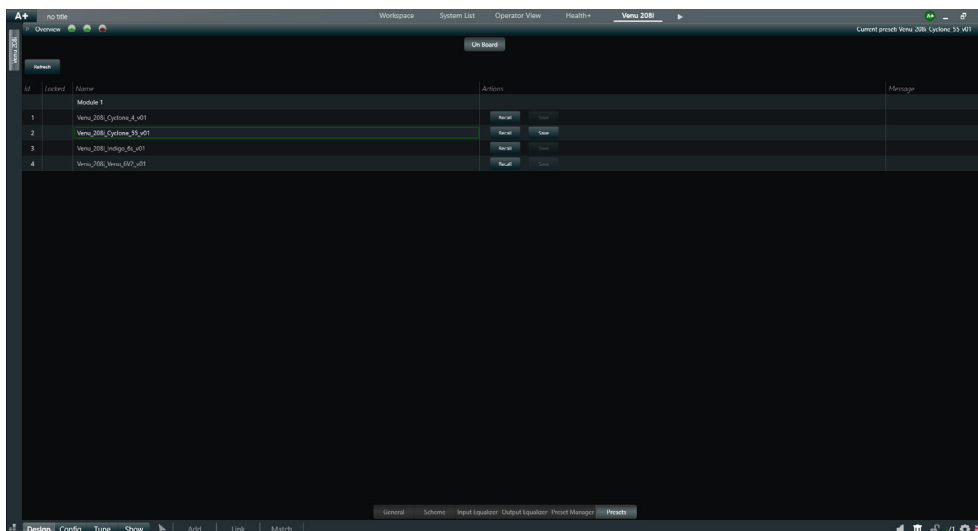


Figure 5.13: Scheme window

# 5 DSP

Navigate back to the main Armonia 'Add' page and right click the amp. Select 'PAM', then select 'import'. Select the preset you wish to load from the unzipped downloaded preset folder (Air 8 shown). At the 'do you really want to overwrite settings' prompt, select Yes. Armonia will now load the preset from your computer to the internal DSP on the amp. Double click on the amp to confirm the desired preset is loaded.

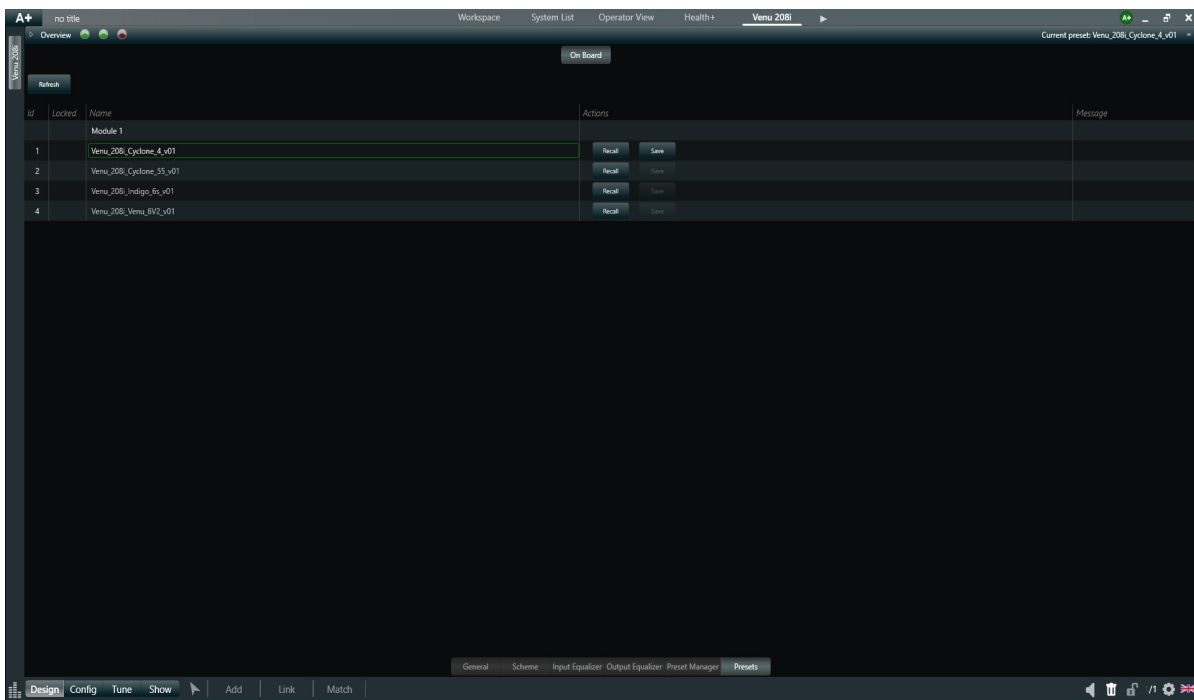


Figure 5.14: Scheme window

## 5.8 Network troubleshooting

The Venu V2i Powered Series powered speaker cannot be discovered by Armonia Plus when it is set with a different subnet than the network card to which it's connected. In this case, after you have clicked on Discovery, Armonia Plus will report that a connected device has an incompatible IP address.

Hovering the mouse pointer above the alert message displayed at the bottom of the Match window will show the current device IP address. In order to discover the Venu powered speaker you will need to adjust the settings of the PC network card to be compatible with

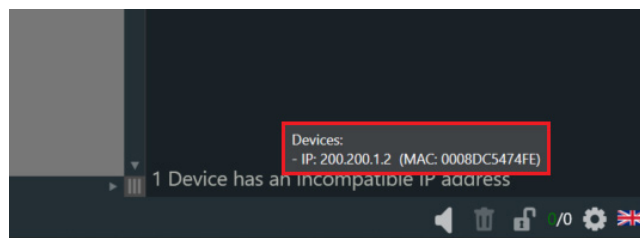


Figure 5.15: IP address warning

those of the product being connected to:

Go to Network Connection following this path: Control Panel \ Network and Internet \ Network Connections

Right click on the network card you are using and click on Properties. In the Networking tab, find the item Internet Protocol Version 4 (TCP/IPv4), select it and click on Properties. This will

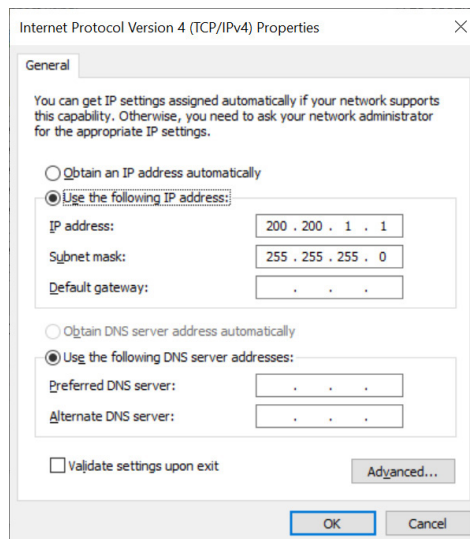


Figure 5.16: Internet Protocol Version 4 (TCP/IPv4) properties

allow you to set a static IP address for the PC in the same range as the Venu powered speaker. In Armonia Plus, re-enable the network card with the new IP settings in the Communication Manager and follow the connection steps in Section 5.6. Once added to the workspace, you can change its IP configuration as outlined in Section 5.7, then re-establish the PC network card with the previous settings.



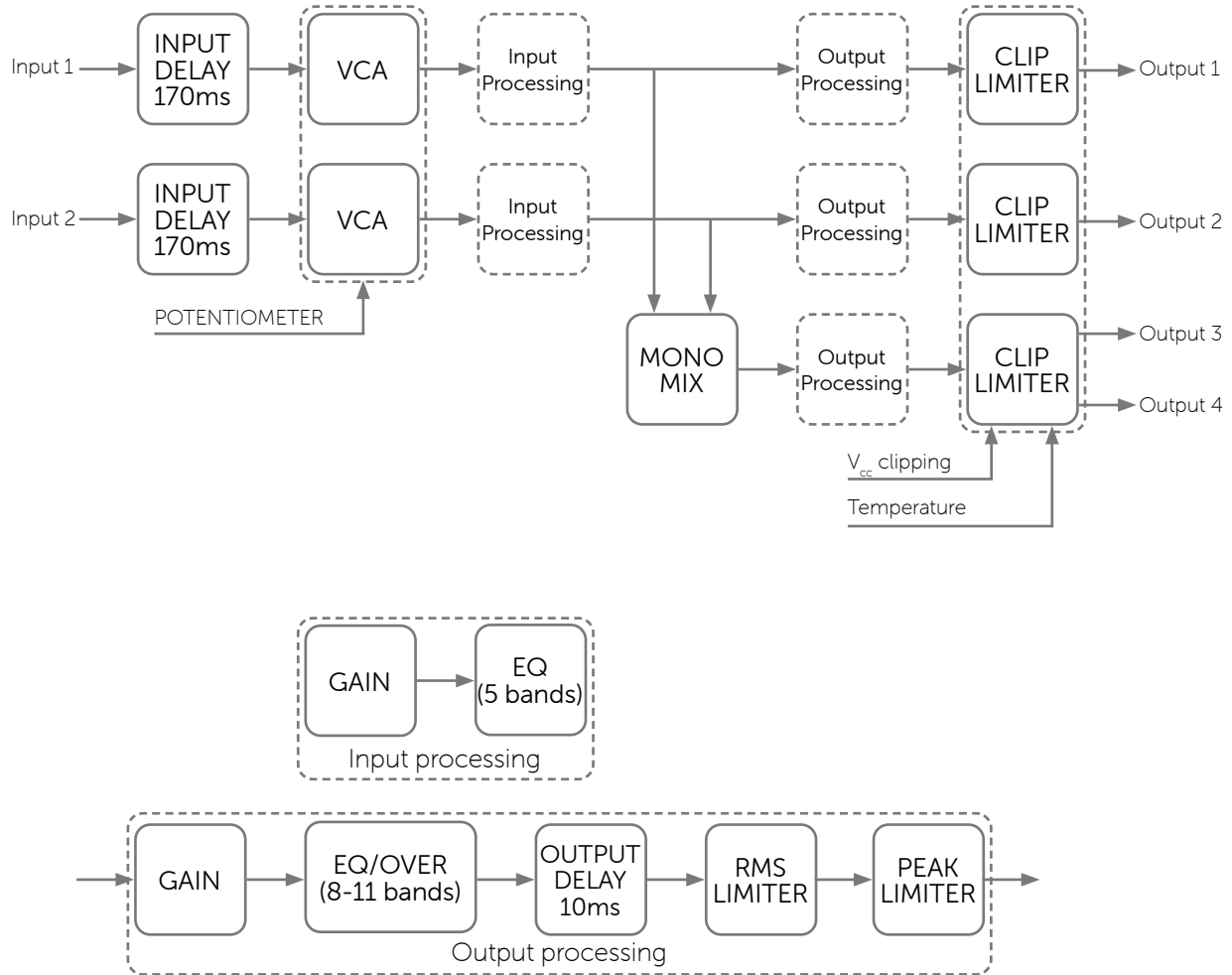
## 5.9 Power management

It is possible to implement a power saving strategy to reduce power consumption and heat build-up. By factory default, the power management feature is not active. Pressing and holding the Preset Select button for at least 3 seconds will toggle the power management. When active (Cyan Status LED), the Venu V2i Powered Series loudspeaker will enter a low power operating mode after 15 minutes of no input signal (input level below -45 dBu). The DSP board will send a signal to the amplifier module turning off the output stages and enabling standby mode (Blue LED).

On detection of an input signal (input level above -45 dBu), the DSP board will automatically re-engage the amplifier module and exit standby mode.

# 5 DSP

## 5.10 Processing architecture



# 5 DSP

## 5.11 Internal signal path polarity

In order to increase the power's supply energy storage efficiency, signals coming from channel pairs 1-2 are polarity reversed, one with respect to the other within the pair, when entering the amplifier. This ensures a symmetrical use of the voltage rails: if, for example, both channels' 1 and 2 input signals are going through a peak at the same time, channel 1's energy will come from the positive voltage rails while channel 2, whose polarity is reversed with respect to channel 1, will be fed energy from the negative voltage rails. In this manner, the power supply will work symmetrically, with one channel catered by the positive rails and the other by the symmetrical negative rails. Channel 2's signal will be polarity reversed once more to ensure that both channels output with the same polarity as their corresponding input signals.

For this reason it is very important not to invert the polarity of either channels before feeding them to the module. A double polarity inversion (the first by the user inserting the input signal and the other by the amplifier's internal circuitry) results in no inversion at all. If this were the case, both channels would be weighing on only one side (positive or negative) of the power supply's voltage rails. This would result in an inefficient use of the power supply's energy.

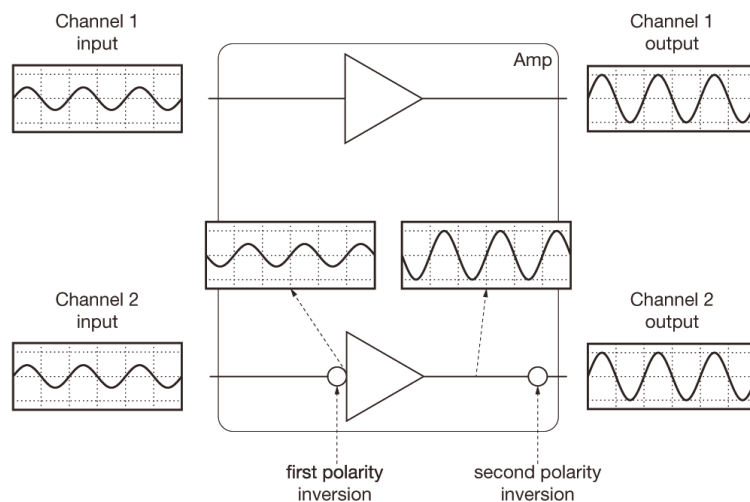


Figure 5.17: Internal signal path polarity with example input signal. Both channels 1 and 2 are fed with the same sine signal.

# 6 Mounting

## 6.1 Installation safety

To avoid mechanical hazards, please note the following:



- Safety regulations vary in different regions. Full compliance with those regulations must be your priority
- Installations must only be undertaken by fully qualified and experienced engineers/technicians who understand local regulations
- This may include consulting a structural engineer before installation of wall brackets
- Remember that all personnel have a duty of care to themselves, to their assistants, to the venue staff and to the public
- Before lifting any part of the system above head height, check the whole rig for loose tools or other items that may fall and cause injury
- Do not use a telephone (even if hands-free) whilst installing. Always concentrate fully on the installation operation
- Do not install equipment that is worn, damaged, corroded, mishandled or over-stressed in any way
- Use only Void-approved mounting equipment and accessories
- Secondary safeties should be provided in all instances where cabinets are flying or fixing overhead and should conform to local regulations

# 6.2 Venu 208i Yoke Bracket

Parts required:

|                       |                |
|-----------------------|----------------|
| Venu 208 Yoke Bracket | White - IT3216 |
|                       | Black - IT3215 |



**Note:**  
All bolts must be fitted when securing the bracket to the wall.

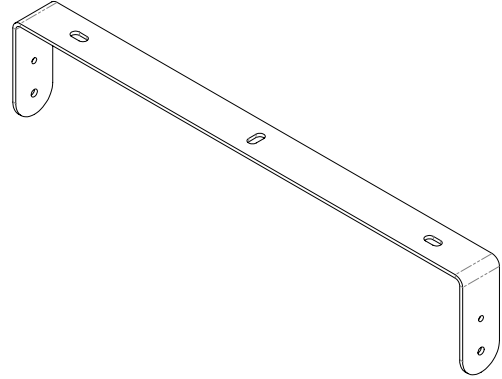


Figure 6.1: Venu 208 Yoke Bracket

**Step 1:**  
Remove the M6 and M8 countersink bolts from the sides of the cabinet

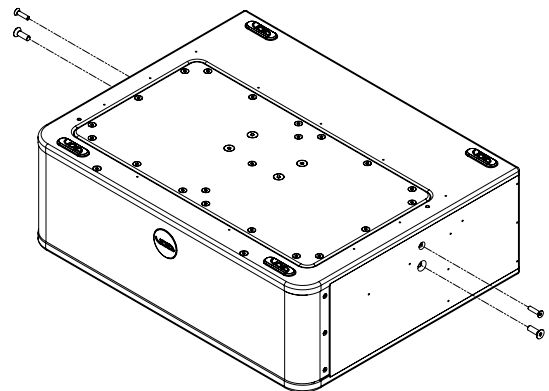


Figure 6.2: Bolt removal

**Step 2:**  
With the yoke bracket fixed in position insert the M6 and M8 socket head bolts provided with the bracket.

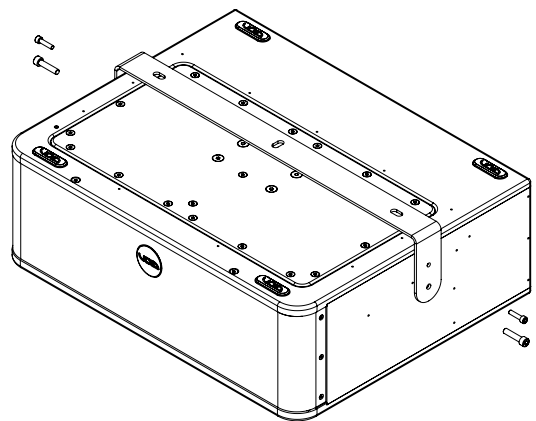


Figure 6.3: Attaching yoke bracket

# 6.3 Venu 208i Wall Mounting

Parts required:

|                    |                |
|--------------------|----------------|
| T75 - Wall Bracket | White - IT1133 |
|                    | Black - IT1132 |



**Note:**  
All bolts must be fitted when securing the bracket to the wall.

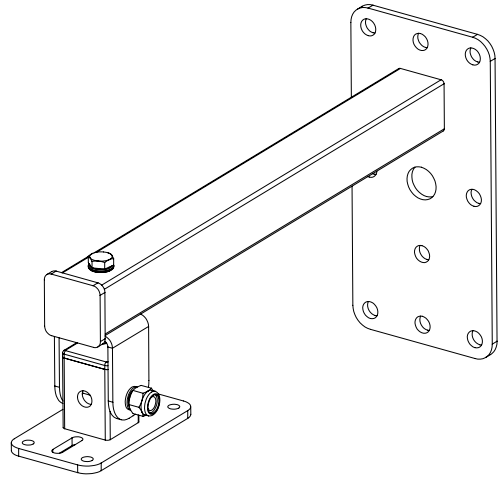


Figure 6.4: T75 Wall Bracket

**Step 1:**  
Remove all four M8 countersink bolts from the bottom of the cabinet as shown.

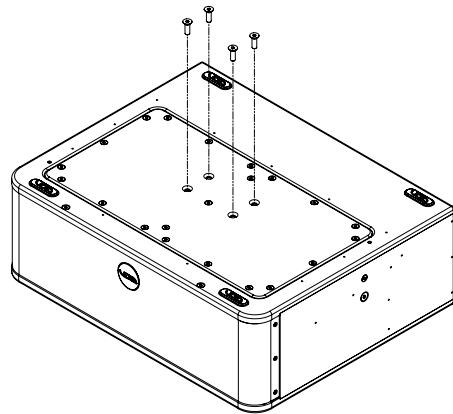


Figure 6.5: Bolt removal

**Step 2:**  
Remove the type 75 plate from the bracket and fix it to the cabinet with M8 socket head bolts provided with the bracket.

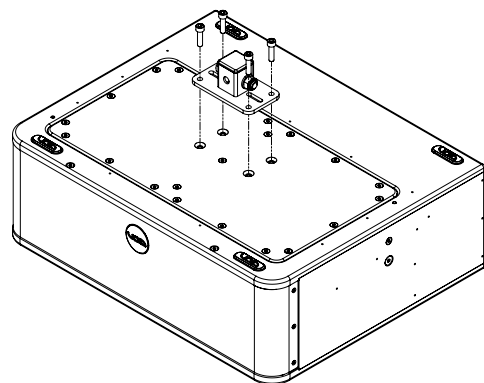


Figure 6.6: Type 75 plate attachment

## 6.3 Venu 208i Wall Mounting

### Step 3:

With the wall bracket fixed in position fix the type 75 plate to the bracket with the M12 bolt.

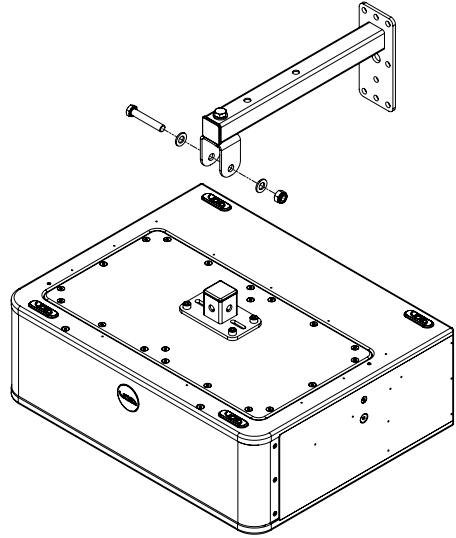


Figure 6.7: Wall bracket fixing

# 6.4 Venu 208i Ceiling Mounting

Parts required:

|                                 |                |
|---------------------------------|----------------|
| T75 - Ceiling Bracket (500 mm)  | White - IT1905 |
|                                 | Black - IT1140 |
| T75 - Ceiling Bracket (1000 mm) | White - IT3218 |
|                                 | Black - IT3217 |
| T75 - Ceiling Bracket (1500 mm) | Black - IT3688 |



**Note:**  
All eight bolts must be fitted when securing the bracket. Pole can be cut to length on site to accommodate installation requirements.

**Step 1:**  
Remove all four M8 countersink bolts from the bottom of the cabinet as shown.

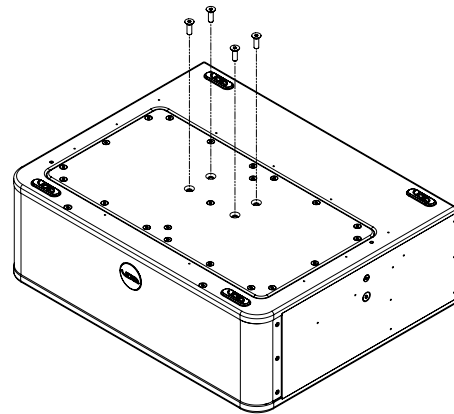


Figure 6.9: Bolt removal

**Step 2:**  
Remove the type 75 plate from the bracket and fix it to the cabinet with M8 socket head bolts provided with the bracket.

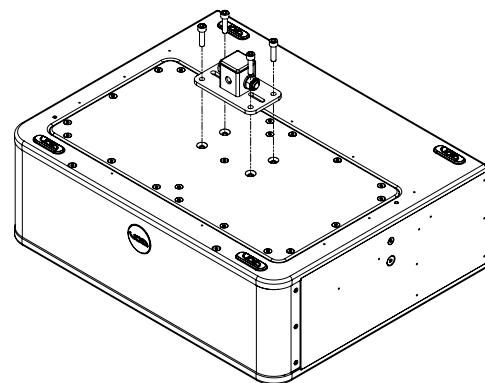


Figure 6.10: Type 75 plate attachment

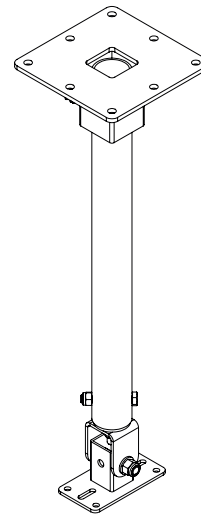


Figure 6.8: T75 Ceiling Bracket



## 6.4 Venu 208i Ceiling Mounting

### Step 3:

With the ceiling bracket fixed in position fix the type 75 plate to the bracket with the M12 bolt.

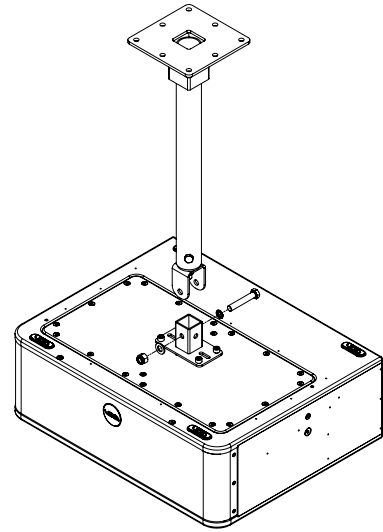


Figure 6.11: Ceiling bracket fixing

## 6.5 Venu 210i Mounting

Part required:

Heavy Duty Top Hat - Black - IT2041

Heavy Duty Top Hat - White - IT2042

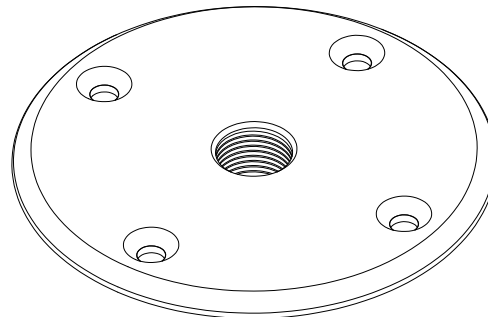


Figure 6.12: Heavy duty top hat

**Step 1:**

Remove all four M6 bolts and remove the cover plate.

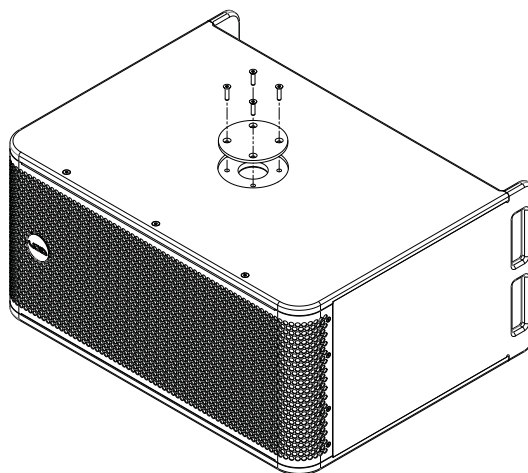


Figure 6.13: Cover plate removal

**Step 2:**

Insert the Heavy Duty Top Hat and replace all four M6 bolts.

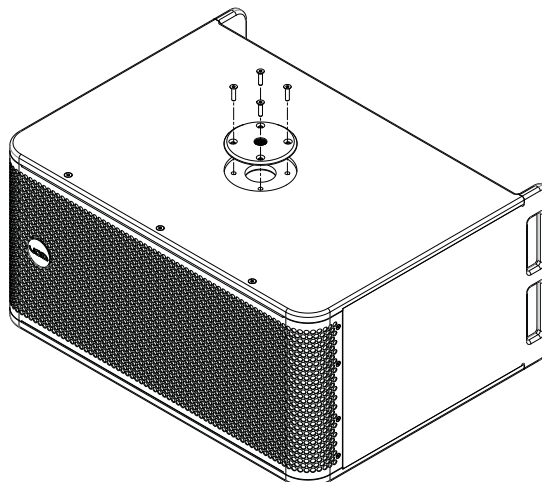


Figure 6.14: Top hat placement

## 6.6 Venu 215i Mounting

Part required:

Heavy Duty Top Hat - Black - IT2041

Heavy Duty Top Hat - White - IT2042

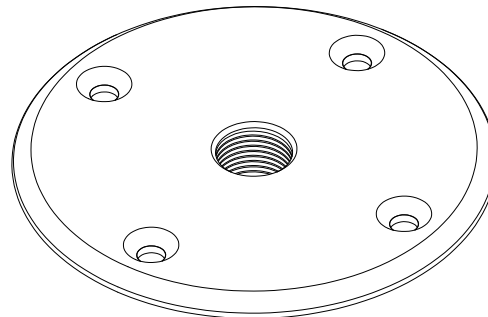


Figure 6.15: Heavy duty top hat

**Step 1:**

Remove all four M6 bolts and remove the cover plate.

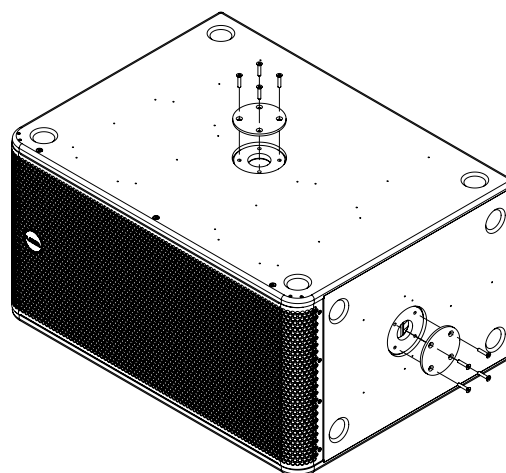


Figure 6.16: Cover plate removal

**Step 2:**

Insert the Heavy Duty Top Hat and replace all four M6 bolts.

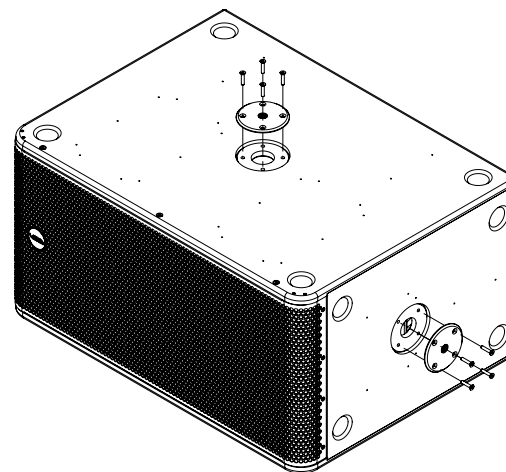


Figure 6.17: Top hat placement

# 7 Service

Void Venu V2i Powered Series loudspeakers should only be serviced by a fully-trained technician.



No user serviceable parts inside. Refer servicing to your dealer.

## 7.1 Return authorisation

Before returning your faulty product for repair, please remember to get an R.A.N. (Return Authorisation Number) from the Void dealer who supplied the system to you. Your dealer will handle the necessary paperwork and repair. Failure to go through this return authorisation procedure could delay the repair of your product.

Note that your dealer will need to see a copy of your sales receipt as proof of purchase so please have this to hand when applying for return authorisation.

## 7.2 Shipping and packing considerations

- When sending a Void Venu V2i Powered Series loudspeaker to an authorised service centre, please write a detailed description of the fault and list any other equipment used in conjunction with the faulty product.
- Accessories will not be required. Do not send the instruction manual, cables or any other hardware unless your dealer asks you to.
- Pack your unit in the original factory packaging if possible. Include a note of the fault description with the product. Do not send it separately.
- Ensure safe transportation of your unit to the authorised service centre.

# 8 Appendix A: Specifications

## A.1 Venu 208i specifications

|  |  |
|--|--|
| Bass frequency range                     | 42 Hz - 120 Hz $\pm$ 3 dB                    |
| Input                                    | 2 x combo XLR                                |
| Maximum output                           | 119 dB cont, 125 dB peak                     |
| Driver configuration                     | 2 x 8" LF                                    |
| Height                                   | 203 mm (8")                                  |
| Width                                    | 600 mm (23.6")                               |
| Depth                                    | 475 mm (18.7")                               |
| Weight                                   | 21 kg (46.3 lbs)                             |
| Enclosure                                | 15 mm birch plywood                          |
| Finish                                   | Textured Warnex                              |
| Grille                                   | Powder-coated perforated steel - foam filter |
| Output                                   | 1 x Phoenix connector                        |
| 2-channel output mode                    |  |
| 4 $\Omega$ / Ch                          | 150 W  |
| 8 $\Omega$ / Ch                          | 75 W   |
| Max output voltage                       | 35 V <sub>peak</sub>                         |
| Max output current                       | 10 A <sub>peak</sub>                         |
| Nominal power requirement                | AC 100 V - 240 V, 50/60 Hz                   |
| Consumption                              |  |
| Standby                                  | < 0.5 W                                      |
| Idle                                     | < 10 W                                       |
| 1/4 of max output power @ 4 $\Omega$     | 150 W  |
| Amplifier and DSP features               |  |
| Crosstalk separation (1 kHz)             | Typically . 70 dB                            |
| Input sensitivity                        | 3 V <sub>RMS</sub> / 11.7 dBu                |
| Input impedance                          | 13 k $\Omega$ balanced                       |
| THD+N / DIM100 (from 0.1 W to 1/2 Power) | < 0.1% (typically <0.05%)                    |

# 8 Appendix A: Specifications

## A.2 Venu 210i V2 specifications

|                                      |   |
|--------------------------------------|---|
| Bass frequency range                 | 40 Hz - 150 Hz $\pm$ 3 dB   |
| Input                                | 2 x 10 k $\Omega$ balanced  |
| Maximum output                       | 122 dB cont, 128 dB peak  |
| Driver configuration                 | 2 x 10" LF  |
| Height                               | 334 mm (13.1")  |
| Width                                | 676 mm (26.6")  |
| Depth                                | 530 mm (20.9")  |
| Weight                               | 33 kg (72.8 lbs)  |
| Enclosure                            | 15 mm birch plywood   |
| Finish                               | Textured Warnex   |
| Grille                               | Powder-coated perforated steel - foam filter  |
| Output                               | 2 x Neutrik speakON™  |
| 2-channel output mode                |   |
| 4 $\Omega$ / Ch                      | 750 W   |
| 8 $\Omega$ / Ch                      | 400 W   |
| Max output voltage                   | 78 V <sub>peak</sub>  |
| Max output current                   | 30 A <sub>peak</sub>  |
| Nominal power requirement            | AC 100 V - 240 V, 50/60 Hz with PFC   |
| Consumption                          |   |
| Standby                              | < 1 W   |
| Idle                                 | $\leq$ 10.2 W   |
| 1/4 of max output power @ 4 $\Omega$ | 600 W   |
| Amplifier and DSP features           |   |
| DSP                                  | Analogue Devices SigmaDSP™  |
| S/N Ratio                            | 115 dB  |
| Crosstalk separation                 | 85 dB @ 1kHz  |
| Input sensitivity                    | 3 V <sub>RMS</sub> / 11.7 dBu   |
| Input impedance                      | 10 k $\Omega$ balanced  |
| THD+N / DIM100                       | < 0.08% from 0.1 W to full power (typically <0.05%)   |
| Slew rate                            | 50 V/ $\mu$ s @ 8 $\Omega$ , input filter bypassed  |
| Damping factor @ 8 $\Omega$          | <10000 @ 100 Hz   |
| Delay                                | 340 ms input delay, 10 ms per channel output delay  |
| Input equalizer                      | 5 parametric equalizers: hi/lo-shelving, all-pass, band-pass, band-stop, hi/lo-stop         |
| Output equalizer                     | Parametric IIR filters: peaking, hi/lo-shelving, all-pass, band-pass, band-stop, hi/lo-pass |
| Crossover                            | Butterworth, Linkwitz-Riley, Bessel: 6 dB/oct to 48 dB/oct (IIR)                            |

# 8 Appendix A: Specifications

## A.3 Venu 215i V2 specifications

|                                      |   |
|--------------------------------------|---|
| Bass frequency range                 | 38 Hz - 160 Hz $\pm$ 3 dB   |
| Input                                | Combo XLR and 1/4" jack   |
| Maximum output                       | 130 dB cont, 136 dB peak  |
| Driver configuration                 | 2 x 15" LF  |
| Height                               | 454 mm (17.9")  |
| Width                                | 867.5 mm (34.2")  |
| Depth                                | 644.9 mm (25.4")  |
| Weight                               | 57 kg (125.66lbs)   |
| Enclosure                            | 18 mm birch plywood   |
| Finish                               | Textured Warnex   |
| Grille                               | Perforated steel with foam filter   |
| Output                               | 2 x Neutrik speakON™  |
| 2-channel output mode                |   |
| 4 $\Omega$ / Ch                      | 750 W   |
| 8 $\Omega$ / Ch                      | 400 W   |
| Max output voltage                   | 78 V <sub>peak</sub>  |
| Max output current                   | 30 A <sub>peak</sub>  |
| Nominal power requirement            | AC 100 V - 240 V, 50/60 Hz with PFC   |
| Consumption                          |   |
| Standby                              | < 1 W   |
| Idle                                 | $\leq$ 10.2 W   |
| 1/4 of max output power @ 4 $\Omega$ | 600 W   |
| Amplifier and DSP features           |   |
| DSP                                  | Analogue Devices SigmaDSP™  |
| S/N Ratio                            | 115 dB  |
| Crosstalk separation                 | 85 dB @ 1kHz  |
| Input sensitivity                    | 3 V <sub>RMS</sub> / 11.7 dBu   |
| Input impedance                      | 10 k $\Omega$ balanced  |
| THD+N / DIM100                       | < 0.08% from 0.1 W to full power (typically <0.05%)   |
| Slew rate                            | 50 V/ $\mu$ s @ 8 $\Omega$ , input filter bypassed  |
| Damping factor @ 8 $\Omega$          | <10000 @ 100 Hz   |
| Delay                                | 340 ms input delay, 10 ms per channel output delay  |
| Input equalizer                      | 5 parametric equalizers: hi/lo-shelving, all-pass, band-pass, band-stop, hi/lo-stop         |
| Output equalizer                     | Parametric IIR filters: peaking, hi/lo-shelving, all-pass, band-pass, band-stop, hi/lo-pass |
| Crossover                            | Butterworth, Linkwitz-Riley, Bessel: 6 dB/oct to 48 dB/oct (IIR)                            |

# 8 Appendix B: Dimensions

## B.1 Venu 208i dimensions

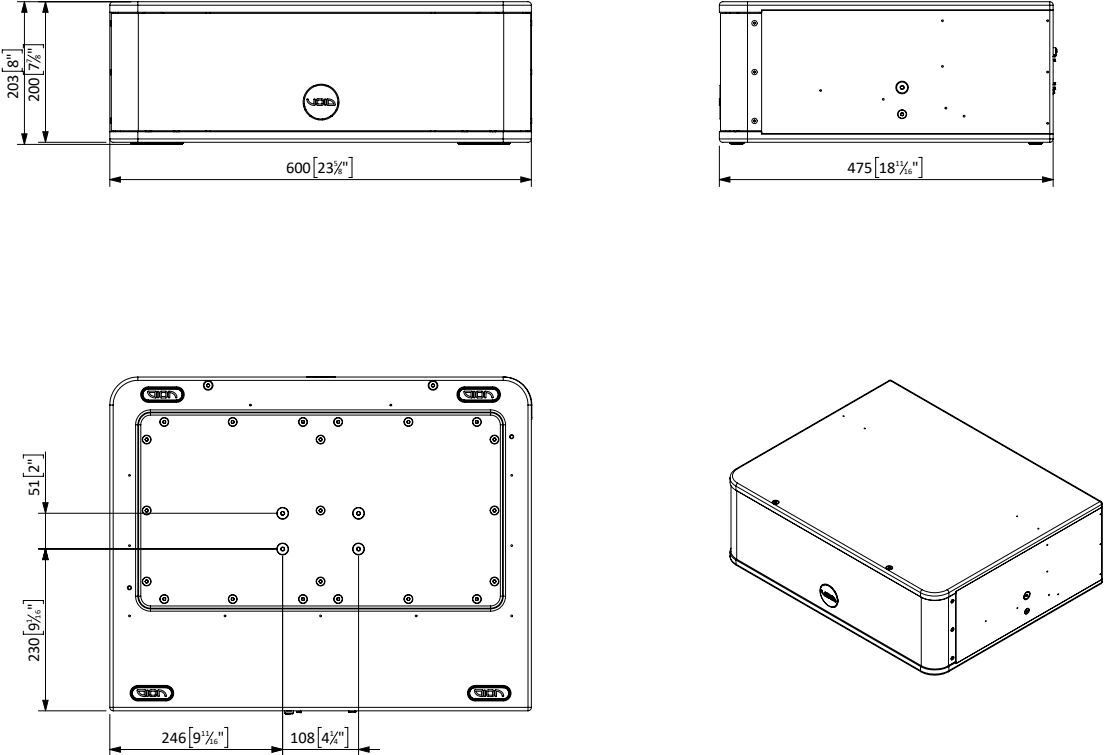


Figure 8.1: Dimensions



# 8 Appendix B: Dimensions

## B.2 Venu 210i V2 dimensions

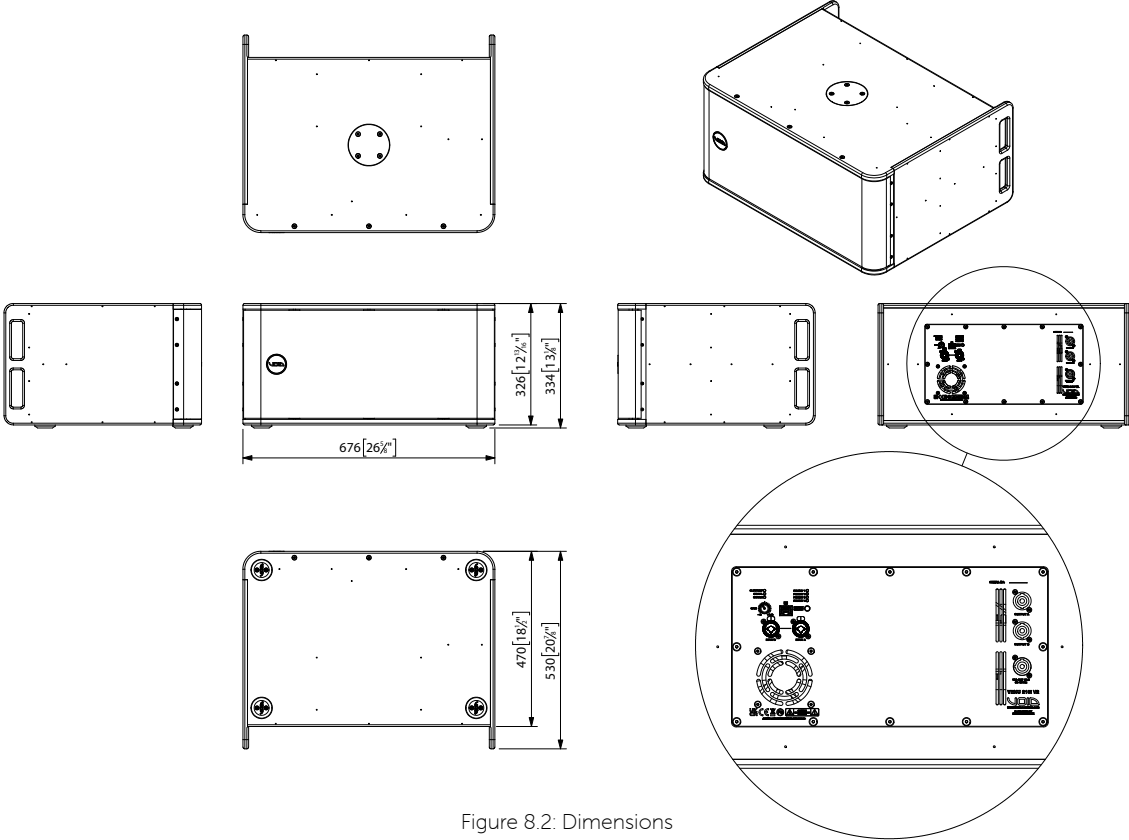


Figure 8.2: Dimensions

# 8 Appendix B: Dimensions

## B.3 Venu 215i V2 dimensions

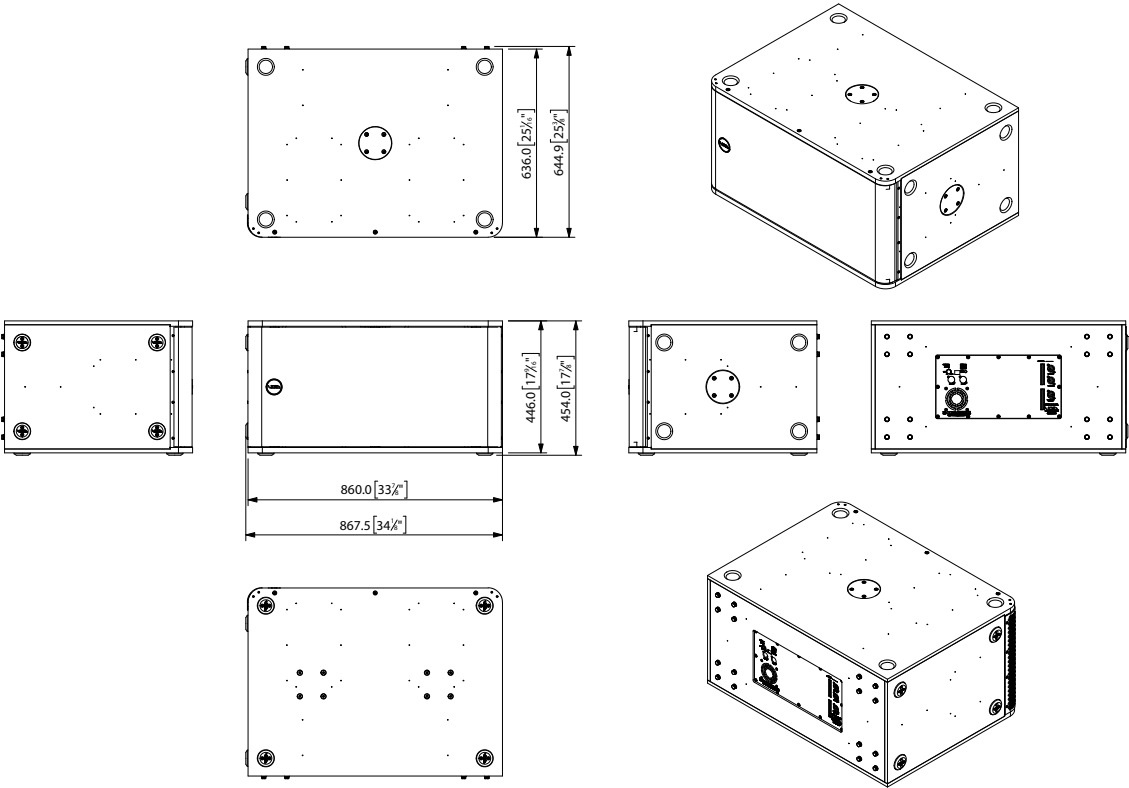


Figure 8.3: Dimensions

# 8 Appendix C: Architectural Specifications

## C.1 Venu 208i

The loudspeaker shall be self-powered and comprising two high power 8" (203.2 mm) bandpass loaded low frequency (LF) transducers.

The enclosure shall be rectangular constructed from 15 mm multi-laminated birch plywood with a wraparound grille and a rotating badge; it shall have integral threaded inserts for the fitment of wall and ceiling mounting hardware; it shall be finished in a textured polyurethane with external dimensions of (H) 203 mm x (W) 600 mm x (D) 475 mm (8" x 23.6" x 18.7") and weigh 20 kg (44 lbs).

Performance specifications of a typical production unit shall be as follows: frequency response of 42 Hz – 120 Hz ( $\pm 3$  dB from rated sensitivity); pressure sensitivity of 95 dB at one Watt at one metre.

The system shall be powered by its own internal 300 W dedicated power amplification module with DSP management and two 150 W at 4  $\Omega$  full range outputs.

The low frequency transducer shall be constructed on a cast aluminium frame with a treated paper cone, 50.8 mm (2") voice coil, wound with copper wire on a high-quality voice coil former for high power handling and long-term reliability.

The loudspeaker system shall be a Void Acoustics Venu 208i.

## C.2 Venu 210i V2

The loudspeaker shall be active comprised of two high power 10" (254 mm) direct radiating, reflex loaded low frequency (LF) transducers.

The enclosure shall be rectangular constructed from 15 mm multi-laminated birch plywood with a wraparound grille and a rotating badge; it shall have a removable cover plate for fixing an optional M20 top hat and it shall be finished in a textured warnex with external dimensions of (H) 334 mm x (W) 676 mm x (D) 530 mm (13.2" x 26.6" x 20.9") and weigh 33 kg (72.8 lbs).

Performance specifications of a typical production unit shall be as follows: frequency response of 40 Hz – 150 Hz ( $\pm 3$  dB from rated sensitivity); pressure sensitivity of 97 dB at one Watt 100 at one metre; rated nominal impedance of 4  $\Omega$ .

The system shall be powered by its own internal 1500 W dedicated power amplification module with DSP management with two 750 W at 4  $\Omega$  full range outputs.

The low frequency transducer shall be constructed on a cast aluminium frame with a treated paper cone, 101.6 mm (4") voice coil, wound with copper wire on a high-quality voice coil former for high power handling and long-term reliability.

The loudspeaker system shall be a Void Acoustics Venu 210i V2.

# 8 Appendix C: Architectural Specifications

## C.3 Venu 215i

The loudspeaker shall be a self-powered, dual 15" (381 mm) direct radiating, reflex loaded, low frequency loudspeaker in a birch plywood enclosure.

The enclosure shall be rectangular shaped and constructed from 18 mm multi-laminated birch plywood with a wraparound grille, and a rotating badge; it shall have removable cover plates for fixing optional M20 top hats and shall be finished in a textured Warnex with external dimensions of (H) 454 mm x (W) 867.5 mm x (D) 644.9 mm (17.9" x 34.2" x 25.4") and weigh 57 kgs.

Performance specifications of a typical production unit shall be as follows: frequency response of 38 Hz – 160 Hz ( $\pm 3$  dB) pressure sensitivity of 100 dB at one Watt 100 Hz – 10 kHz at one metre; rated nominal impedance of 8  $\Omega$ .

The low frequency transducer shall be constructed on a resonant free and heavy-duty basket design with a 3" (76.2mm) voice coil, wound with copper wire on a high-quality former for high power handling and long-term reliability.

The system shall be powered by its own dedicated 2400 W amplifier module with DSP management with two 750 W outputs at 4  $\Omega$ . Inputs shall be combination XLR and 1/4" type and powered outputs shall be speakON®. DSP features shall be accessed via dedicated ethernet connection.

The loudspeaker system shall be a Void Acoustics Venu 215i V2.

## NORTH AMERICA

Void Acoustics North America

Call: +1 (630) 6866616

Email: [hello@voidacoustics.com](mailto:hello@voidacoustics.com)

## HEAD OFFICE

Void Acoustics Research Ltd,  
Unit 15, Dawkins Road Industrial Estate,  
Poole, Dorset,  
BH15 4JY  
United Kingdom

Call: +44(0) 1202 666006

Email: [hello@voidacoustics.com](mailto:hello@voidacoustics.com)



Hear. Feel. Connect.

[voidacoustics.com](http://voidacoustics.com)