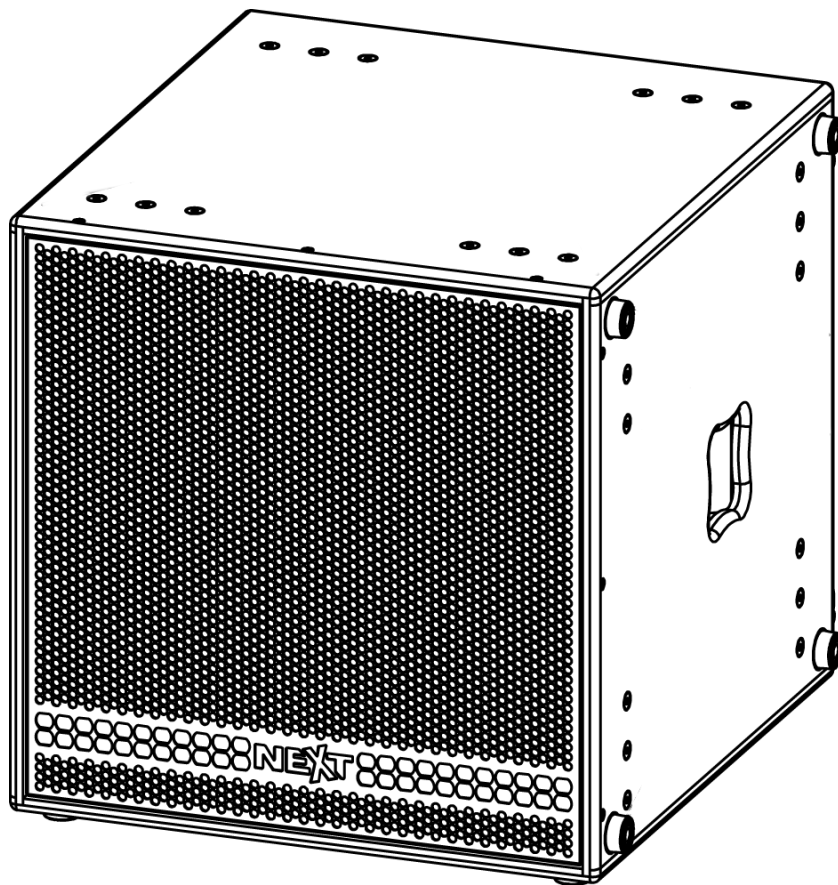


NEXT
proaudio
||| www.next-proaudio.com



PXH64/PXH95
2-Way Horn-Loaded Mid/High Speaker
USER MANUAL

CONTENTS

INTRODUCTION	- 1 -
UNPACKING	- 1 -
PX SYSTEM OVERVIEW	- 1 -
SAFETY FIRST	- 2 -
PXH64/PXH95 OVERVIEW	- 4 -
CABLE SELECTING	- 4 -
CONNECTIONS AND ELECTRIC DIAGRAM	- 5 -
AMPLIFICATION	- 7 -
PX SYSTEM DEPLOYMENT	- 7 -
TROUBLESHOOTING	- 13 -
TECHNICAL SPECIFICATIONS	- 14 -
Dimensions	- 14 -
WARRANTY	- 15 -
SPARE PARTS	- 15 -
ACCESSORIES	- 15 -
CONTACTS	- 16 -

INTRODUCTION

Thank you for purchasing a NEXT-proaudio PXH64/PXH95 Coaxial Mid/High Speaker. This manual will provide you with useful and important information about your PXH64/PXH95 element. Please devote some time reading this manual, and keep it at hand for future reference. NEXT-proaudio is concerned with your safety and well-being, so please follow all instructions and heed all warnings. Also, a better understanding of some specific features of the PXH64/PXH95 will help you to operate it to its full potential. With a continuous evolution of techniques and standards, NEXT-proaudio, reserves the right to change the specifications of its products without early warning.

For the most current data, please visit our website: www.next-proaudio.com

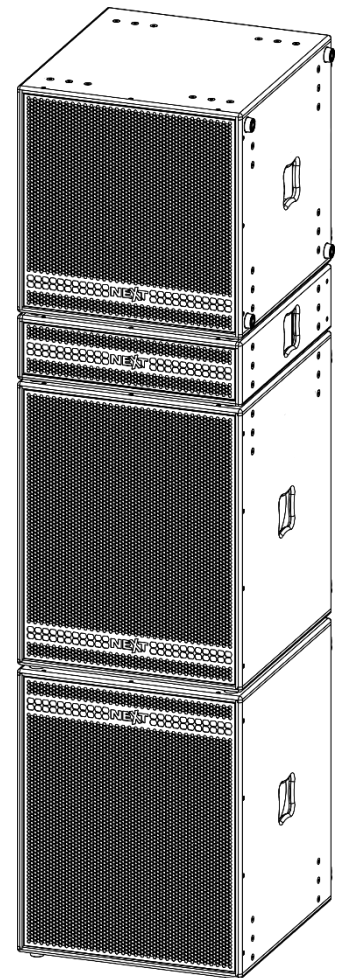
UNPACKING

PX Systems are built in Europe (Portugal) by NEXT-proaudio, according to the highest standards and thoroughly inspected before they leave the factory. When unpacking your PXH64/PXH95, examine it carefully for any signs of possible transit damage and inform your dealer immediately if any such damage has occurred.

It is suggested that you retain the original packaging so that the PXH64/PXH95 can be repacked in the future if necessary. Please note that NEXT-proaudio and its authorized distributors cannot accept any responsibility for damage to any returned product through the use of non-approved packaging.

PX SYSTEM OVERVIEW

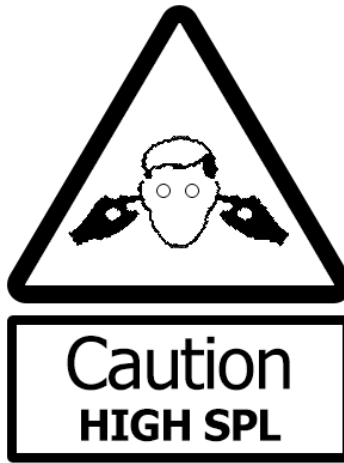
The PX system is a complete plug 'n' play, processor-controlled, horn-loaded stacking P.A. system optimized for flexible, very high power, modular array configurations, for use in festival tents, clubs and open-air events. Very high sound pressure, extreme reliability, easy transportation, fast setting-up times and easy cabling, are just some of the important practical advantages of the PX system. High-quality components combined with the new Mid/High, coaxially mounted horns, the hybrid bass horns and the latest processor DSP technology, deliver maximum sound pressure and superlative audio performance. The components of the PX System can be quickly and easily configured to cover an enormous range of different sound reinforcement applications in venues of all shapes and sizes without any need for complex calculations, controller adjustments and limiter settings. If extreme sub levels are needed for an open air DJ event, just add another sub on each side. If the brass band in the beer tent wants ultra-wide coverage, just use two subs and two angled tops per side. If a Top 40 band suddenly finds itself playing to an audience of 3000, the same system amp can drive four subs and two tops per side.



SAFETY FIRST

Please pay close attention to this chapter. Failure to comply with these instructions may result on injury or death.

DANGER – HEARING DAMAGE



NEXT PX Systems are capable of producing extremely high sound pressure levels and should be used with care. Hearing loss is cumulative and can result from levels above 90dB if people are exposed for a long period. Never stand close to loudspeakers driven at high levels.



CAUTION
RISK OF ELECTRIC SHOCK
DO NOT OPEN



TO REDUCE THE RISK OF ELECTRIC SHOCK, DO NOT REMOVE COVER
NO USER SERVICEABLE PARTS INSIDE
REFER SERVICE TO QUALIFIED PERSONNEL

STACKING

Always ensure that the floor or structure where the stack will take place is even and can withstand the weight of the complete stack. Do not stack speakers too high, especially outdoors where winds could topple the stack. Be aware that speakers working at very high power levels generate vibrations that can creep the systems. Take additional measures to prevent this if needed. Place cables in a way that they do not present a trip hazard. Don't place any objects on top of the stack, they can fall accidentally and cause injuries. Do not attempt to move the enclosures while connected. Try not to operate the PX system under heavy rain or moisture, it is weather-resistant but not completely "weather-proof". Do not expose the system to extreme heat or cold conditions to prevent component damage.

RIGGING AND SUSPENSION SAFETY CONSIDERATIONS

WARNING: DO NOT SUSPEND PXL118 SUB1

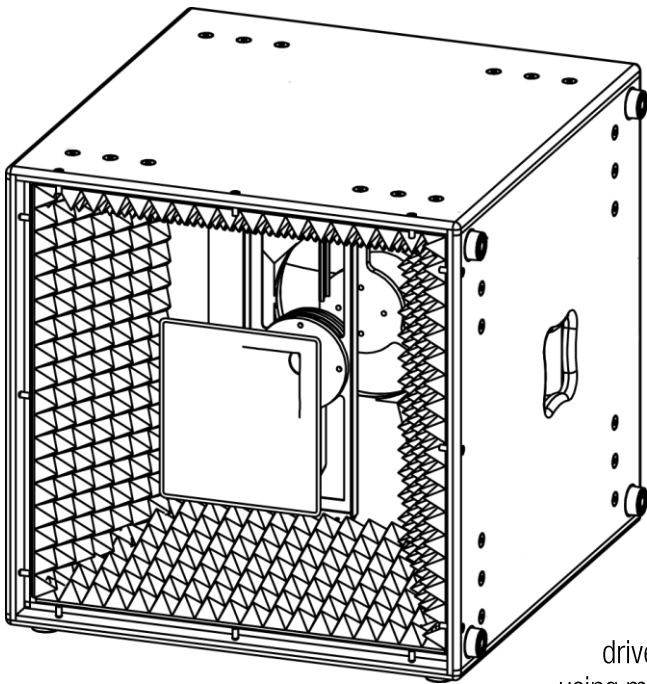


In the NEXT PX system only the PXL118 SUB2, PXH64/PXH95 and PXA8001 are designed to be suspended, PXL118 SUB1 was not designed having suspended use in mind.

Before rigging or suspending any NEXT PX system component, inspect all components and all hardware for any signs of damage or missing parts. If you find any damaged, corroded or deformed parts, do not use them, replace them immediately. Do not use hardware that isn't load rated or that its rating is not enough to handle the system's weight with a good safety factor. Don't forget that the hardware won't just hold the systems weight. It has to be sturdy enough to handle dynamic forces like winds without any part deformation.

NEXT PX system installation should only be carried out by qualified personnel. Always use adequate protective clothing and equipment to prevent possible injuries. Isolate the surrounding area during installation and operation, to prevent general public presence near the systems. Also, be sure you understand all local and national regulations regarding equipment installation. Failure to comply with these instructions may result on injury or death.

PXH64/PXH95 OVERVIEW



The NEXT PXH64/PXH95 Mid/High element is part of the PX system. The NEXT PXH64/PXH95 was engineered to be a powerful medium to long-throw, mid/high frequency cabinet in a coaxial configuration, covering the frequency range from 160Hz up to 18kHz. To obtain the highest possible on-axis sound pressure levels and clear and intelligible sound reproduction over long distances, the PXH64/PXH95 mid/high unit is entirely horn-loaded. The coaxial arrangement of the High Frequency CD horn and the Mid Frequency 12" speaker (also horn-loaded) creates a precise coverage pattern of 60°H x 40°V, on PXH64, or 90°H x 50°V, on PXH95, over a frequency range from 400Hz - 17kHz, ensuring equal sound within the coverage area. The HF range from 1.150kHz upwards is reproduced by a Neodymium 1.4" driver with a 2.5" voice coil and a Constant Q horn, whilst coverage in the mid-range from 160Hz to 1.25kHz is provided by a low power compression 12" driver loaded into a midrange horn. Wider coverage can be achieved using multiple elements, laterally stacked or flown. When stacking two PX systems, side by side, is recommended to rotate the PXH64/PXH95 element.

CABLE SELECTING

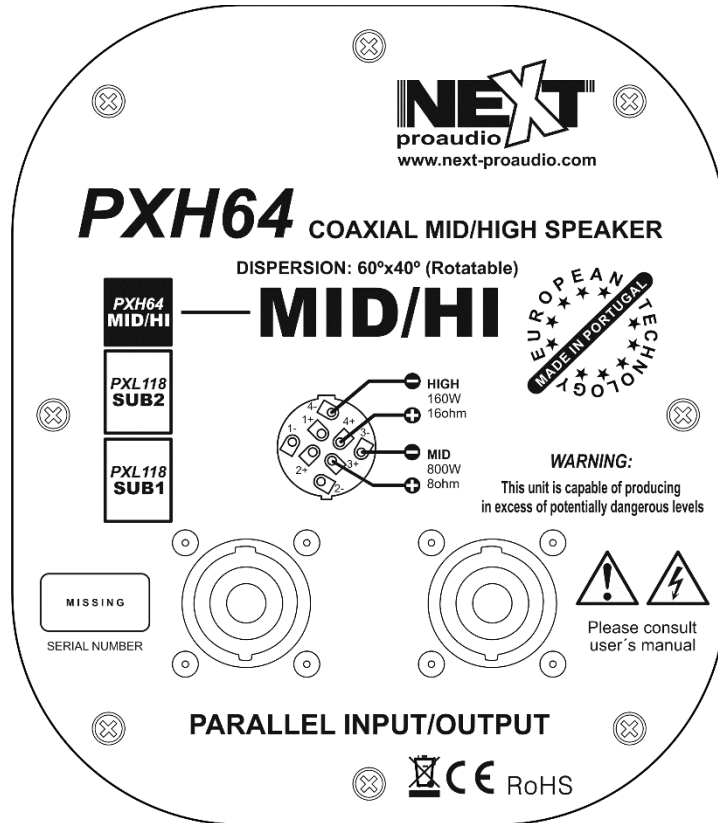
Selecting a cable consists of calculating the correct cable section in relation to the load impedance and the required cable length. A small cable section will increase its serial resistance, which will induce power-loss and response variations (damping factor).

The following table indicates, for 3 common sizes, a cable length with a maximum serial resistance equal to 4% of the load impedance (damping factor = 25):

Cable section	Maximum Length related to load impedance	
	8 Ω	4 Ω
1.5 mm ²	12 m [40 ft]	6 m [20 ft]
2.5 mm ²	20 m [64 ft]	10 m [32 ft]
4 mm ²	32 m [104 ft]	16 m [52 ft]

CONNECTIONS AND ELECTRIC DIAGRAM

The PXH64/PXH95 is connected through Neutrik® SpeakON® NL8FC plugs (not supplied). A wiring description is printed on the connections panels located on back of the cabinet.

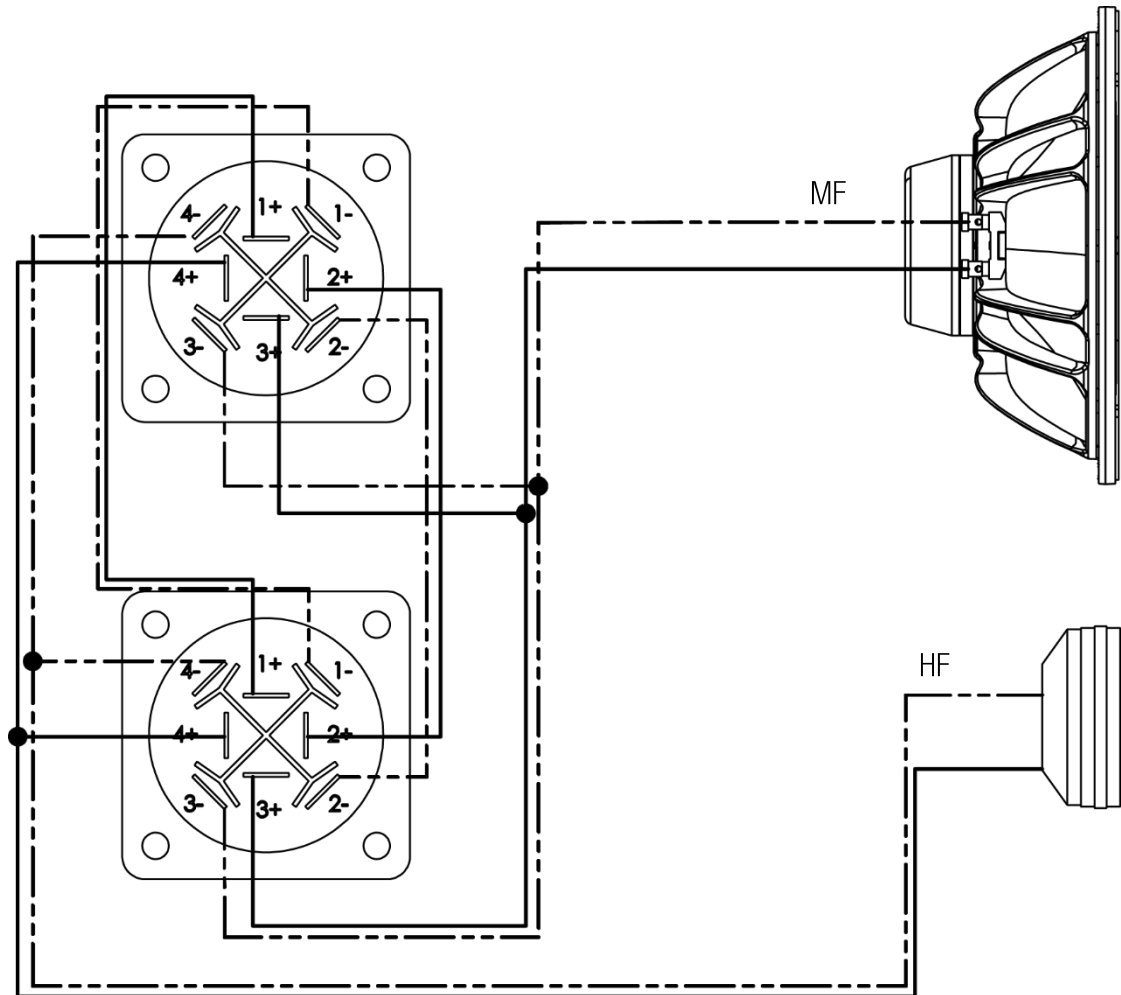


The 8 pins of the 2xNL8 SpeakON sockets are parallel wired within the enclosure. Either connector can be used to connect to the PXA8001 or another Subwoofer (PXL118 SUB1 or PXL118 SUB2).

See the table and the diagram below:

NL8 PIN	Description
1 +	PXL118 SUB1 Reserved
1 -	PXL118 SUB1 Reserved
2 +	PXL118 SUB2 Reserved
2 -	PXL118 SUB2 Reserved
3 +	PXH64/PXH95 MID +
3 -	PXH64/PXH95 MID -
4 +	PXH64/PXH95 HIGH +
4 -	PXH64/PXH95 HIGH -

ELECTRIC DIAGRAM



—— MF+ (Grey); HF+ (Red)

----- MF - (Black); HF - (White)

AMPLIFICATION

When using the PX system standard configuration, all processing and powering needs are taken care of by the PXA8001¹ element. **Care should be taken to avoid amplifier clipping.** It is important to understand that a low power amplifier driven into clipping is more likely to damage a loudspeaker than a higher power amplifier used within its ratings. This is because music signals have a high peak-to-average "crest" factor. When an amplifier is severely overdriven, its output waveform is "clipped" (its peaks are squared off) – reducing the crest factor. In extreme cases, the waveform can approach that of a square wave. An amplifier is normally capable of producing far more power under these conditions than its undistorted rated power output. The use of very high power amplifiers with outputs much greater than those recommended is discouraged.

Care should also be taken to avoid switch-on surges, which can result in momentary power peaks in excess of specified ratings. The PXA8001 element has a protection circuit, between the integrated processor and amplifier, to avoid this problem. Nevertheless, this circuit only works within the PXA8001 components, if you switch off your mixer or any other exterior component the power surge will occur. When powering up a sound system it is important to switch on the amplifiers last, after the mixer and control electronics have stabilised. When powering down the system, reverse the sequence and switch off the amplifiers first.

PX SYSTEM DEPLOYMENT

The PX System is a versatile, easy and fast deployment system. It can be used ground-stacked or suspended. Combined with the optional splay adjustment kit, NC07712, you can adjust the splay as needed in 5° steps up to 10° front or rear.

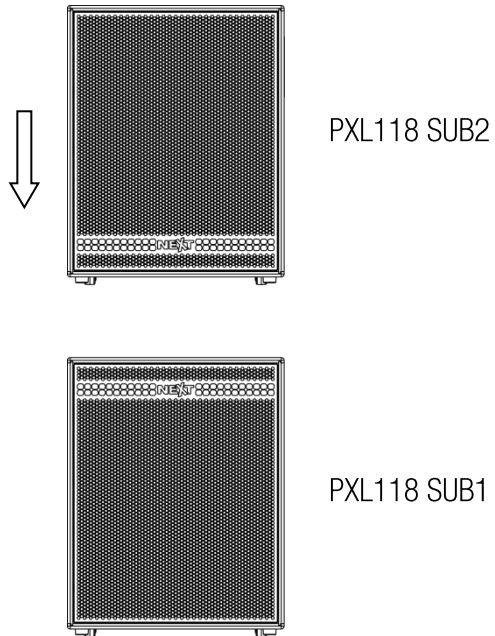
GROUND STACKING

There are some things you should know about ground-stacking the PX System. PXL118 SUB1 and SUB2 have a correct order on the stack. Always start with SUB1 from the ground. Other than that, the stack is pretty standard. The PXH64/PXH95 has two working positions. It can work in a H60° x V40° when there is only one vertical stack per side, or you can rotate it to achieve a H40° x V60° when you have a double stack in the same place. This way you'll reduce the comb effects between those elements. You can also arrange it so you have up to 80° horizontal coverage. If more coverage is needed 2 pieces of PXH95 can be used to achieve 100° horizontal coverage.

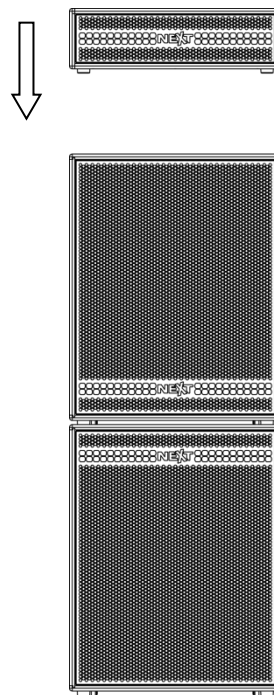
¹ Refer to PXA8001 manual for more information.

Let's proceed with a standard stack.

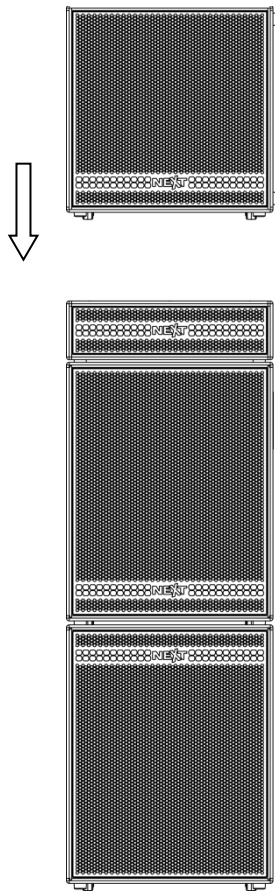
Step 1. - Start with PXL118 SUB1 and place PXL118 SUB2 on top of it.



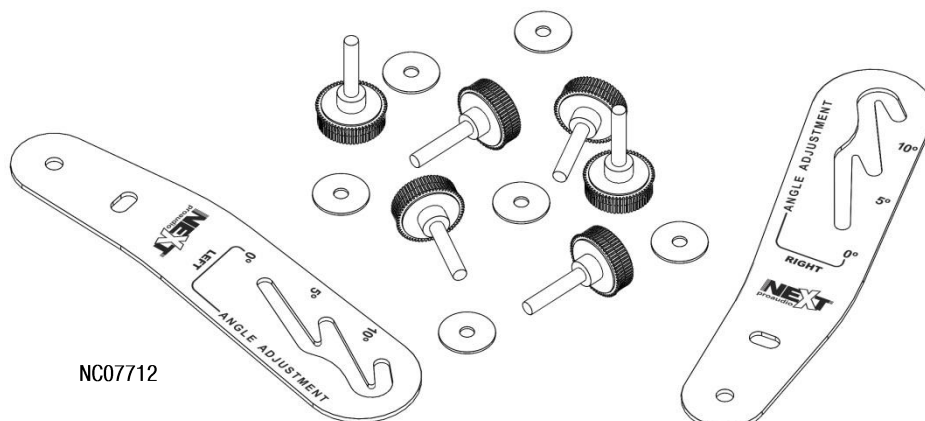
Step 2. - Place the PXA8001 on top of the PXL118 SUB2.



Step 3. – Last, place the PXH64/PXH95 on top of the PXA8001. It's as easy as it can be.

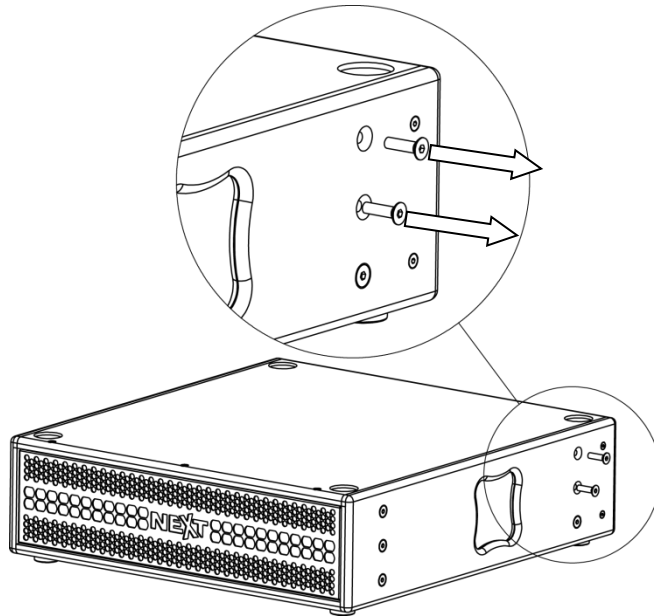


Ok, this is the standard configuration of the PX System. Now you can proceed and connect the system as explained on the PXA8001 user manual. But sometimes you may need to tilt the PXH64/PXH95 a little to better address the audience. The PX System is towering by itself, it's easily predictable you will need to tilt the PXH64/PXH95. For that you will need the PX Splay adjustment kit mentioned earlier. This splay kit allows frontward tilt in 5° or 10°.

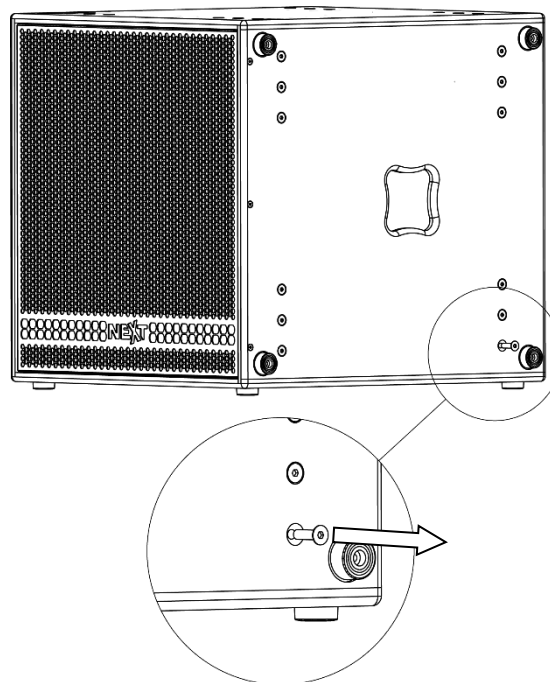


This kit can be applied connecting the PXH64/PXH95 to the PXA8001 power-rack, or connecting the PXH64/PXH95 to PXL118 SUB2. The assembly method is exactly the same, so we'll review only the assembly for a frontward tilt between the PXH64/PXH95 and the PXA8001.

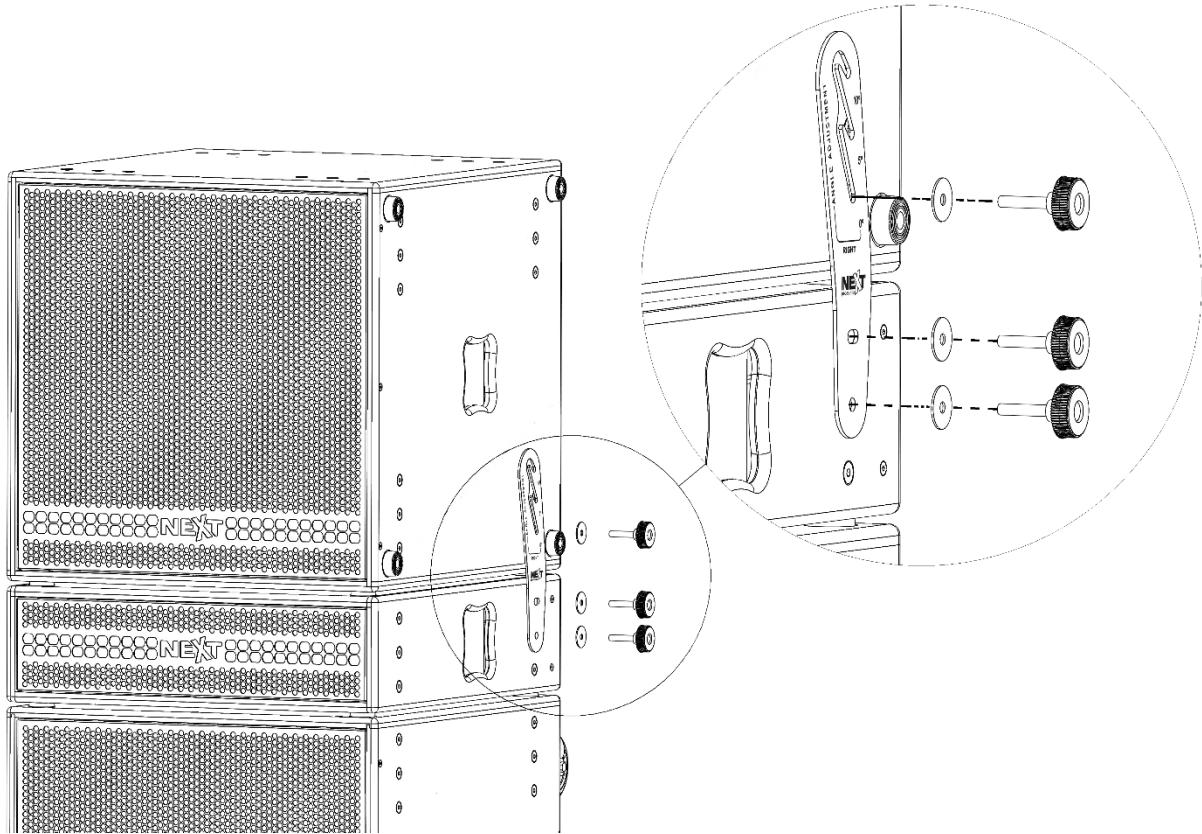
Step 1. – Remove the upper two screws of the PXA8001 on the rear as shown in the picture:



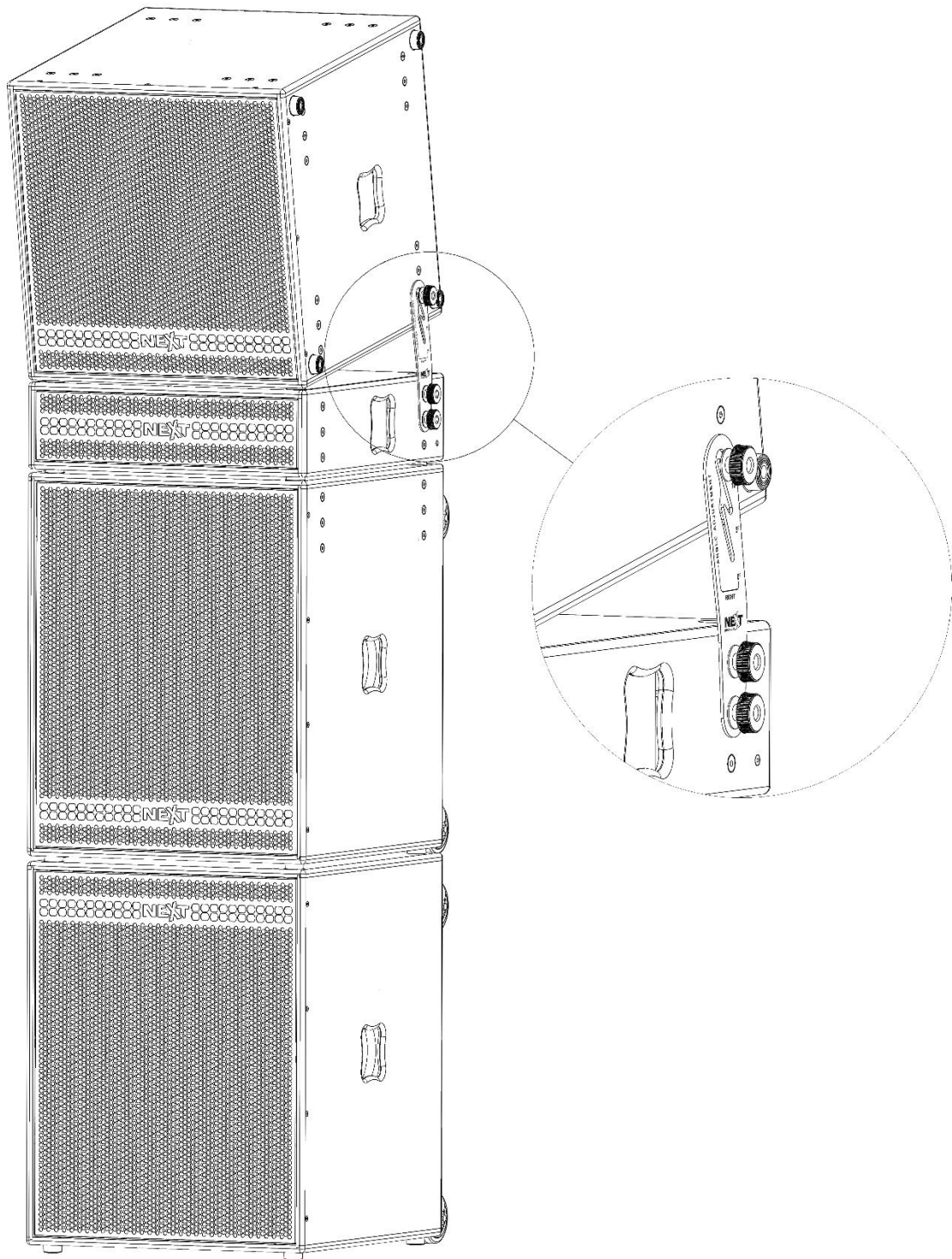
Step 2. – Remove the screw on the PXH64/PXH95 rear group as shown in the image.



Step 3. – Follow the full standard assembly as described earlier. Then, place the adjustment guides on the PXA8001 one at each side, like in the image below. Position the screws but do not tighten them just yet.

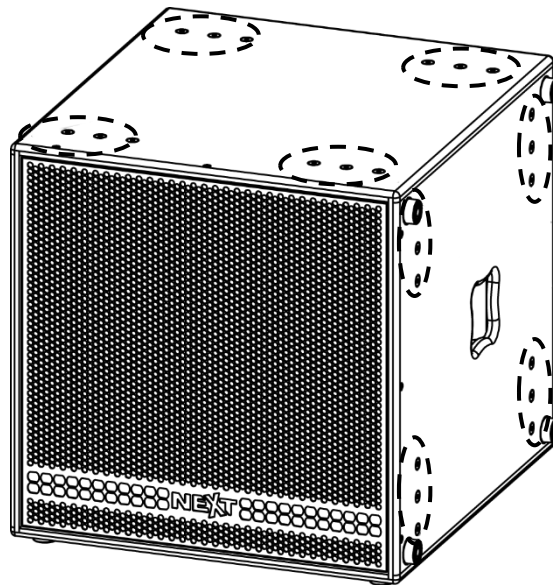



After positioning the screws, pull the PXH64/PXH95. You will notice that, if you don't tighten the screws, the guide will position in a way that if you let it go down slowly, it will enter the cavity of the nearest angle. So, if you pull halfway and then let go, you will have a 5° splay, and if you pull it over to the top, it will enter the 10° cavity. Notice that this system only works the way up. If you want to descend from 5° or 10° into 0°, someone will have to hold the guides in place for you. When the guides reach the splay you want, tighten the screws.



FLYING THE SYSTEM

The PX System elements that can be suspended, like the PXH64/PXH95, were designed to be suspended using standard cargo restraint tracks, or eyebolts. Any of the exterior screws on the PXH can be used for that purpose. The cabinet is steel braced from the inside. Despite that, hanging more than three units on the same vertical stack is not advised.



 - Flying Points

TROUBLESHOOTING

Simple troubleshooting does not require sophisticated measurement equipment and can be easily undertaken by users. The technique should be to segment the system in order to identify the faulty system component: signal source, controller, amplifier, loudspeaker or cables. Most installations are multi-channel. It is often the case that one channel works and others do not. Trying different combinations of system elements can usually help to isolate and locate the fault.

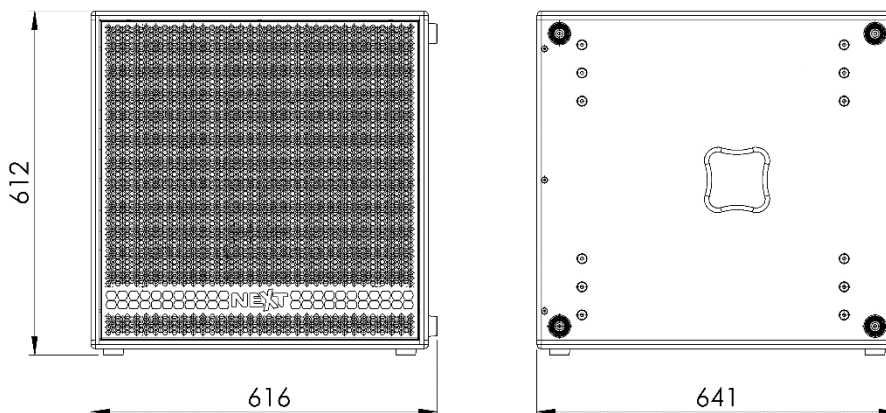
Some cabinet faults can be quite easily identified and corrected by the user. A simple sweep with a sine wave generator can be very helpful though it MUST be made at a fairly low level to prevent damage to the components. A sine wave sweep can help find:

- Vibrations due to loose screws.
- Air-leak noises: check that no screws are missing, particularly where the accessories attach to the cabinet.
- Vibrations due to a front grille badly positioned on the quick release fixings.
- Foreign object that has fallen into the cabinet after repair or through the ports.
- Internal connection wires or absorbing material touching the loudspeaker diaphragm: check by removing the bass loudspeaker.
- Loudspeaker not connected or phase reversed following a previous inspection, test or repair.

TECHNICAL SPECIFICATIONS

NEXT PXH64/PXH95 TECHNICAL SPECIFICATIONS	
Speaker Type	Coaxial Horn-Loaded Mid/High Speaker
Frequency Response (-6dB)	130Hz - 18000Hz
Calculated Max. SPL (Cont/Peak) (Mid/High)	132dB/138dB
Components	MF: 1 x 12" / 3" Voice Coil B&C Custom Speaker
	HF: 1 x 1.4" / 2.5" VC B&C Custom Compression Driver
Directivity PXH64 (HxV)	60° x 40° (User Rotatable)
Directivity PXH95 (HxV)	90° x 50° (User Rotatable)
Continuous Power Handling (Mid/High)	800W/160W
Nominal Impedance (Mid/High)	8Ω/16Ω
Sensitivity (1W/1m Full-Space) (Mid/High)	103dB/110dB
Crossover Frequency (active)	150Hz/1150Hz
Connectors	2 x Neutrik® NL8 Parallel Wired
Construction	15mm Multi-laminate Birch Plywood, Screwed and Glued
Finish	Black Textured Scratch Resistant Paint
Grille	Steel, Black Finish (also available in other colours)
Castors	4 (Optional)
Rigging Tracks	16 (Optional)
Dimensions (W x H x D)	616 x 612 x 641 mm
Weight	43.3 kg

Dimensions



WARRANTY

NEXT-proaudio's products are warranted, by NEXT-proaudio, against **manufacturing defects** in materials or craftsmanship over a period of 5 years for the passive loudspeakers, and 2 years for all other products counting from the date of original purchase. The original receipt of purchase is mandatory for warranty validation purposes, and the product must have been bought from a NEXT-proaudio authorized dealer.

The warranty can be transferred to a subsequent owner during the warranty period; however, this cannot extend the warranty period beyond the original warranty period of five years from the original date of purchase stated on the NEXT-proaudio's invoice.

During the warranty period NEXT-proaudio will, at its own discretion, either repair or replace a product which prove to be defective provided that the product is returned in its original packaging, shipping prepaid, to an authorized NEXT-proaudio service agent or distributor.

NEXT-proaudio cannot be held responsible for defects caused by unauthorized modifications, improper use, negligence, exposure to inclement weather conditions, act of God or accident, or any use of this product that is not in accordance with the instructions provided by this manual and/or NEXT-proaudio. NEXT-proaudio is not liable for consequential damages.

This warranty is exclusive and no other warranty is expressed or implied. This warranty does not affect your statutory rights

SPARE PARTS

Reference	Description
NC01710	NEXT PXH64/PXH95 Grille
NC03710	NEXT PXH64 60 x 40 1.4" Horn
NC03711	NEXT PXH95 90 x 50 1.4" Horn
BB01261	NEXT PXH64/PXH95 HF 1.4" Driver
BB05063	NEXT PXH64/PXH95 MF 12" Driver

ACCESSORIES

Reference	Description
	Wheel Kit
BA00004	Cargo Restraint Track with Double Stud Ring
VP11224	NEXT M8 Eyebolt
NC07712	NEXT PX System Splay adjustment kit

CONTACTS

In case of any doubts or any information just:

Write us:

NEXT-proaudio
Rua da Venda Nova, 295
4435-469 Rio Tinto
Portugal

Contact us:

Tel. +351 22 489 00 75
Fax. +351 22 480 50 97

Send an e-mail:

info@next-proaudio.com

Search our website:

www.next-proaudio.com

Follow us on:

Facebook: facebook.com/nextproaudio
Instagram: instagram.com/nextproaudio
LinkedIn: linkedin.com/company/next-proaudio
Twitter: twitter.com/next_proaudio
Youtube: youtube.com/user/NEXTmanufacturer