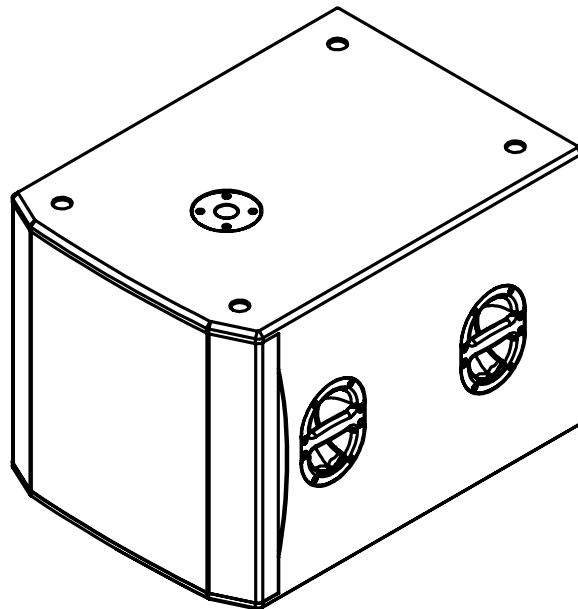




Pro18s Pro18sA User Guide



Contents

1	Safety and Warnings	4
1.1	Certificates of Conformity	4
1.2	Warranty	4
1.3	End of Life	
2	Introduction and Overview	5
2.1	Introduction	5
2.2	Unpacking	5
2.3	Overview	5
2.3.1	Pro18sA	5
2.3.2	Pro18s	6
2.4	Specifications	7
3	Cabling and Amplification	8
3.1	Amplifier Layout	8
3.2	Wiring Diagram	9
4	Accessories	10

1 Safety and Warnings



The lightning flash with arrowhead symbol within an equilateral triangle is intended to alert the user to the presence of uninsulated "dangerous voltage" within the product's enclosure that may be of sufficient magnitude to constitute a risk of electrical shock.



The exclamation mark within an equilateral triangle is intended to alert the user to the presence of important operating and maintenance instructions

- Read these instructions
- Keep these instructions
- Heed all warnings
- Follow all instructions
- Use the equipment only for its intended purpose as instructed in this manual
- Before installing, observe the applicable safety regulations for your country
- Always check if the equipment is installed securely and will not fall
- Never install close to ignition or heat sources such as radiators, ovens or any other apparatus that produce heat.
- Do not use or install the equipment near water or exposed to rain
- If the equipment is not functioning properly or has been damaged in any way, switch it off immediately
- Do not open or try to service the equipment. It may only be repaired by authorized, qualified personnel
- Clean the equipment using only a clean dry cloth
- Do not operate the unit for an extended period with the sound distorting
- Never remove the cover, because otherwise there may be a risk of electric shock. There are no user serviceable parts inside. Have repairs carried out only by qualified service personnel.



This equipment is intended for professional use. Therefore, commercial use of this equipment is subject to the respectively applicable national accident prevention rules and regulations. As a manufacturer, NEXT Audiocom is obligated to notify you formally about the existence of potential health risks. Hearing damage due to high volume and prolonged exposure: When in use, this product is capable of producing high sound-pressure levels (SPL) that can lead to irreversible hearing damage in performers, employees, and audience members.

For this reason, avoid prolonged exposure to volumes in excess of 90dB.

ATTENTION! Because of the continuous evolution of techniques and standards, NEXT Audiocom reserves the right to change the specifications of its products without warning. For the most updated version of this manual and general information about this and other products, please visit our website www.nextaudiogroup.com.

1.1 Certificates of Conformity

Certificates of conformity can be found at:

<https://www.nextaudiogroup.com/en/apoio-ao-cliente/downloads>

1.2 Warranty

Warranty details can be found at:

www.nextaudiogroup.com/en/apoio-ao-cliente/warranty

1.3 End of Life



When to be definitively put out of operation, take the product to a local recycling plant for a disposal which is not harmful to the environment.

Devices marked with this symbol must not be disposed of as household waste. Contact your retailer or local authorities for more information.

2 Introduction and Overview

2.1 Introduction

Thank you for purchasing a NEXT Pro18s/Pro18sA. This manual will provide you with useful and important information about your NEXT Pro18s/Pro18sA. Please devote some time reading this manual and keep it at hand for future reference. NEXT Audiocom is concerned with your safety and well-being so please follow all instructions and heed all warnings. A better understanding of specific features of the Pro18s/Pro18sA will help you to operate your system to its full potential. With a continuous evolution of techniques and standards NEXT Audiocom reserves the right to change the specifications of its products without warning. For the latest information please visit: www.nextaudiogroup.com.

2.2 Unpacking

When unpacking your NEXT Pro18s/Pro18sA please examine it carefully for any signs of transit damage and inform your dealer immediately if any is found.

NEXT Audiocom recommends that you retain the original packaging so that the system can be repackaged in future if necessary. Please note that NEXT Audiocom and its authorized distributors cannot accept any responsibility for damage to any returned product using non-approved packaging.

2.3 Overview

2.3.1 Pro18sA

The Pro18sA is an active 18" Reflex Subwoofer engineered specifically for installation and portable solutions with a modern and trendy design to deliver high output and dynamics, extreme linearity and fidelity at a very competitive price, making them an affordable solution for the professional market. This subwoofer can be an ideal solution to use with Pro12A, Pro15A or MV12 for hotels, restaurants, bars, lounges, conference rooms, Djs and musicians among many others. Thanks to its 2000 W Class D Amplifier, and you can control X-Over Frequency Adjustment (80 Hz to 150 Hz), Phase (0° or 180°), Input Level and Output Signal.

The Pro18sA can be connected between each other using the "Output" connector. A Line Output (Input Link) or Post X-Over Line Output can be selected. The cabinets are constructed using premium-quality 15mm plywood with polyurethane coating. Front and speakers' protection is assured by an acoustically transparent a powdercoated steel grill with acoustical foam. The Pro18sA professional active subwoofer was engineered to deliver powerful bass, providing enhanced headroom and a more defined audio experience with clear sound.

2 Introduction and Overview

2.3.1 Pro18s

The Pro18s is a 2000W passive 18" Reflex Subwoofer engineered specifically for installation and portable solutions with a modern and trendy design to deliver high output and dynamics, extreme linearity and fidelity at a very competitive price, making them an affordable solution for the professional market. This subwoofer can be an ideal solution to use with Pro12 or Pro15 for hotels, restaurants, bars, lounges, conference rooms, Djs and musicians among many others.

The cabinets are constructed using premium-quality 15mm plywood with polyurethane coating. Front and speakers' protection is assured by an acoustically transparent powdercoated steel grill with acoustical foam. The Pro18s professional passive subwoofer was engineered to deliver powerful bass, providing enhanced headroom and a more defined audio experience with clear sound.

2.4 Specifications

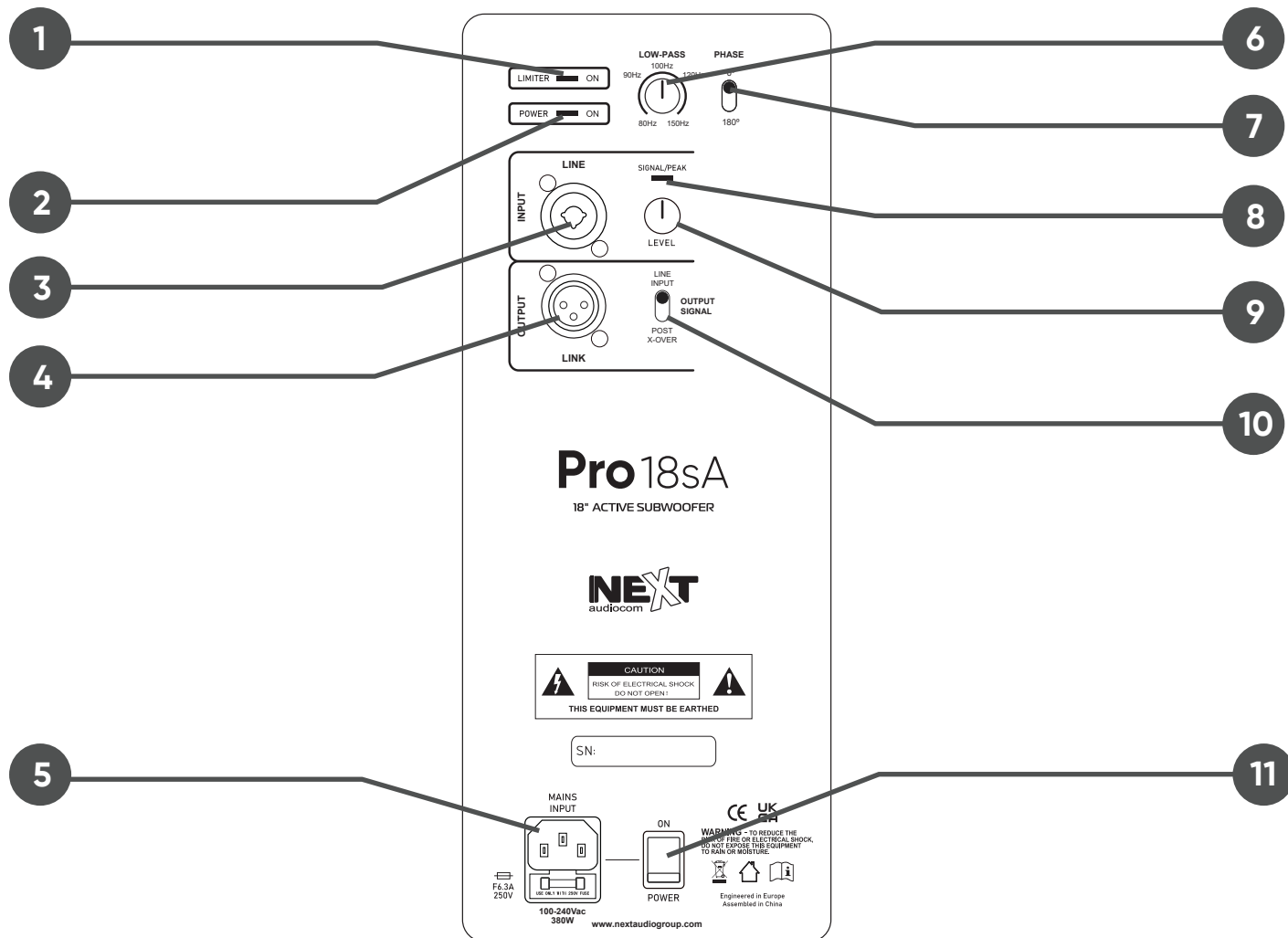
	Pro18s
Frequency Response	36 Hz - 160 Hz (-6 dB)
Program Power	1000 W
Peak Power	2000 W
Nominal Impedance	8 Ω
Frequency / Type of X-Over	80 Hz to 120 Hz - 24 dB/oct LR (recommended)
Recommended High-Pass Filter	34 Hz, 18 dB/oct Butterworth
Maximum SPL (calculated)	132 dB/135 dB (Half-Space)
Subwoofer Driver	1 x 18" (460 mm), 4" (100 mm) VC
Input Connectors	2 x NL4
Recommended Amplifier	A504 DSP A3800
Fittings	1 x M20 and/or 35mm pole mount socket
Handles	2 on each Side
Grille	Black Perforated Steel
Construction	Heavily Braced Multi-laminate Birch Plywood
Finish	Polyurea Coating
Dimensions (WxHxD)	560 x 545 x 780mm (22 x 21.5 x 30.7")
Net Weight	46 kg
Shipping Weight	53 kg

2 Introduction and Overview

	Pro18sA
Frequency Response	36 Hz - 160 Hz (-6 dB)
Frequency / Type of X-Over	Adjustable on the Back Panel from 80 Hz to 150 Hz
Amplifier Technology	Class D Amplifier
Amplifier Power	1000 W/2000 W
Control Type	X-Over Frequency Adjustment, Phase (0° or 180°), Input Level, Output Signal
Maximum SPL (calculated)	130 dB/133 dB (Half-Space)
Subwoofer Driver	1 x 18" (460 mm), 4" (100 mm) VC
Audio Signal Inputs	Line Input
Input Connectors	1 x XLR / TRS combo
Audio Signal Outputs	Line Output (Input Link) or Post X-Over Line Output
Output Connectors	1 x XLR
Operating Temperature Range	0° C - 40° C
Cooling Type	Convection
Power Input	AC 100 V - 240 V 50 Hz/60 Hz
Mains Connector	Standard IEC socket
Power Consumption	380 W
Fittings	1 x M20 and/or 35 mm pole mount socket
Handles	2 on each Side
Grille	Black Perforated Steel
Construction	Heavily Braced Multi-laminate Birch Plywood
Finish	Polyurea Coating
Dimensions (WxHxD)	560 x 545 x 780mm (22 x 21.5 x 30.7")
Net Weight	47.5kg (104.7lb)
Shipping Weight	54.5kg (120.2lb)

3 Cabling and Amplification

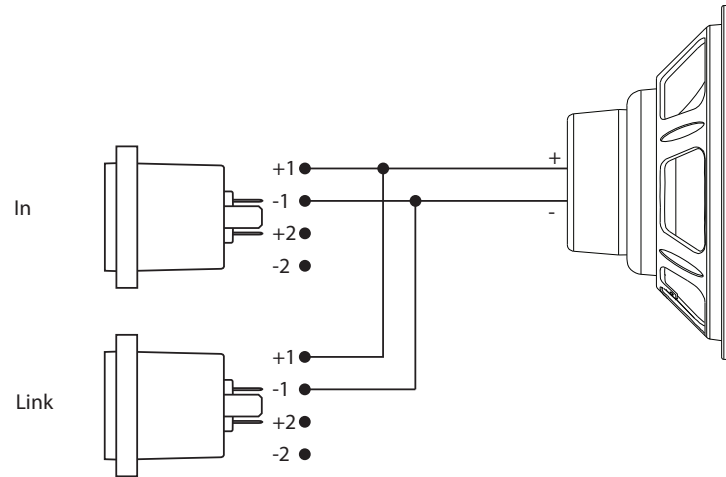
3.1 Pro18sA Amplifier Layout



1. Limiter LED - indicates excessive sound levels, if flashing reduce input signal
2. Power LED - green when on
3. Signal Input (XLR/Jack combo - F)
4. Signal Output (XLR - M)
5. Power Input (IEC - M)
6. Low Pass Filter - 80 Hz to 150 Hz
7. Phase Inverter
8. Signal/Peak LED - excessive input signal, reduce level at source
9. Input Level Potentiometer
10. Output Signal Selection - line input will send signal from input directly to the output, post x-over will send the signal with the low pass filter applied
11. Power Switch

3 Cabling and Amplification

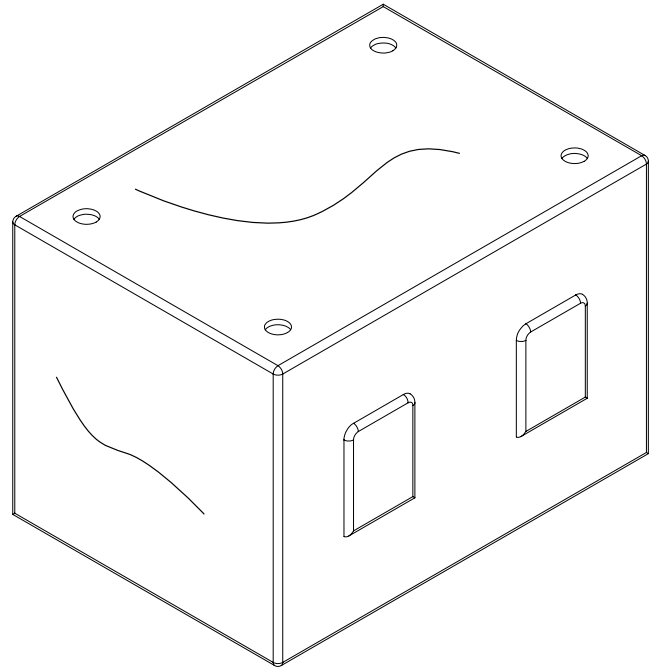
3.2 Pro18s Wiring Diagram



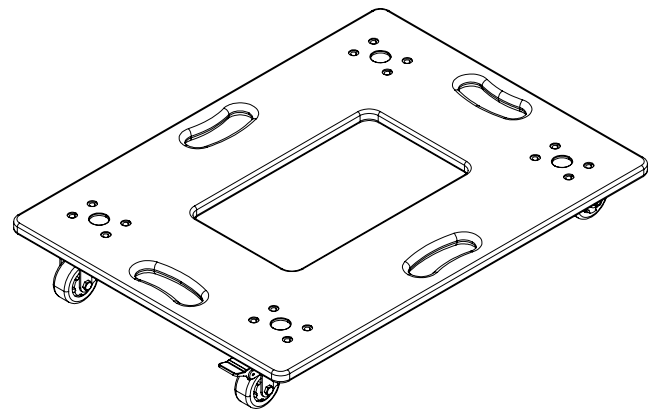
	speakON pins 1+,1-	speakON pins 2+,2-	Impedance
In	18" SW	Not connected	8 Ω
Link	LF link out	Not connected	N/A

4 Accessories

NEXT Audiocom Individual Cover for Pro18s
Part number: TX12405



NEXT Audiocom Dolly for Pro18s
Part number: NC75528



 Rua da Venda Nova, 295 | 4435-469 Rio Tinto, Portugal

 info@nextaudiogroup.com

 www.nextaudiogroup.com

 www.instagram.com/next.audiogroup

 facebook.com/nextproaudio

NEXT
audiocom