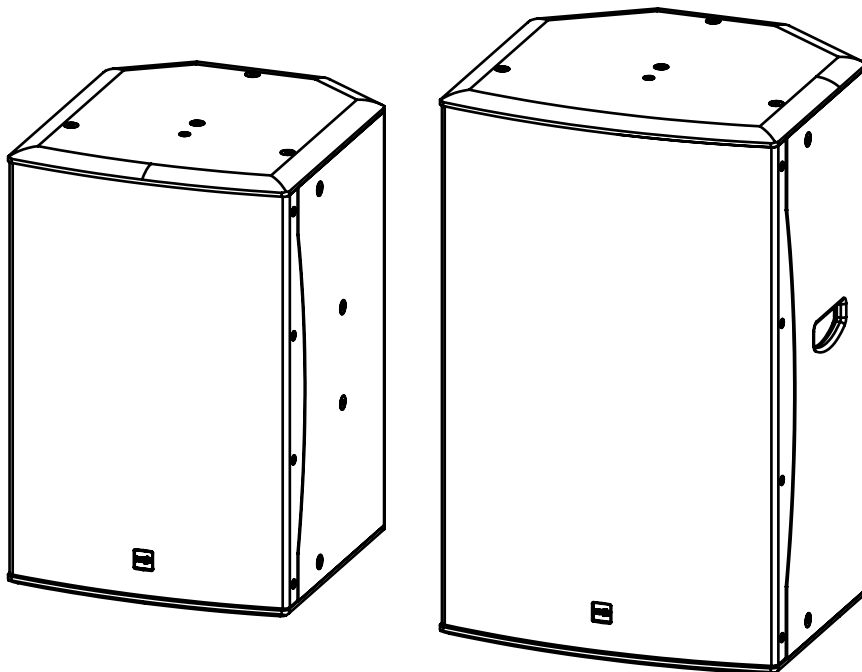




Pro Series

USER MANUAL



Multi-Purpose Passive/Active Speaker

INTRODUCTION

GENERAL DESCRIPTION	-2-
UNPACKING	-2-
SAFETY FIRST	-2-
WARNINGS	-2-

GETTING STARTED

PRO SERIES OVERVIEW	-3-
MULTI-PURPOSE FEATURE	-3-
CONNECTIONS	-3-
PASSIVE VERSION	-3-
ACTIVE VERSION	-4-
PRESETS	-4-
PRESET LIST	-4-
PRESET CHANGING PROCEDURE	-4-
BLUETOOTH PAIRING/UNPAIRING	-4-

HANDS-ON

INSTALLATION	-5-
GENERAL CONSIDERATIONS	-5-
PREPARATION	-5-
U-BRACKET INSTALL INSTRUCTIONS	-5-
WALL BRACKET INSTALL INSTRUCTIONS	-6-
SUSPENDED INSTALL INSTRUCTIONS	-6-
HF HORN ROTATION PROCEDURE	-6-

CONTENTS

SERVICE

TROUBLESHOOTING	-7-
PASSIVE VERSION	-7-
ACTIVE VERSION	-7-
WARRANTY POLICY	-7-
SIMPLIFIED EU DECLARATION OF CONFORMITY	-7-
CORRECT DISPOSAL	-8-
TECHNICAL SPECIFICATIONS	-8-
PRO 12	-8-
PRO 15	-8-
PRO 12A	-8-
PRO 15A	-8-
TECHNICAL DRAWINGS	-8-
PRO 12 + U-BRACKET DIMENSIONS	-8-
PRO 15 + U-BRACKET DIMENSIONS	-8-

INTRODUCTION

GENERAL DESCRIPTION

Thank you for purchasing a NEXT Audiocom Pro Series speaker. This user manual will provide you with useful and important information about your equipment. Please devote some time reading it and keep it at hand for future reference.

The NEXT Audiocom Pro Series is composed by both active and passive point-source speakers designed for installations and portable solutions. The premium-quality components provide a balanced sound with an excellent low frequency extension. This series can be an ideal solution for hotels, restaurants, bars, lounges, conference rooms and many others.

ATTENTION! Because of the continuous evolution of techniques and standards, NEXT Audiocom reserves the right to change the specifications of its products without warning. For the most updated version of this manual and general information about this and other products, please visit our website www.nextaudiogroup.com.

UNPACKING

NEXT Audiocom's products are built under strict quality guidelines and supervision, according to the highest standards. When unpacking your product, carefully examine it for any signs of possible transit damage and inform your dealer immediately if any such damage has occurred. It is suggested that you retain the original packaging so that the product can be repacked in the future when necessary. Please note that NEXT Audiocom and its authorized distributors cannot accept any responsibility for damage to any returned product using non-approved packaging.

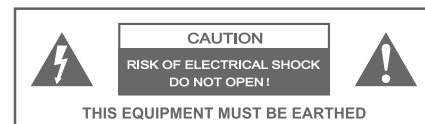
SAFETY FIRST

Please take some time to review the following statements concerning safe use of your NEXT Audiocom Pro Series.

- Read these instructions
- Keep these instructions
- Heed all warnings
- Follow all instructions
- Use the equipment only for its intended purpose as instructed in this manual
- Before installing, observe the applicable safety regulations for your country
- Always check if the equipment is installed securely and will not fall
- Do not attempt to move the enclosures while connected

- When mounted on a pole, always ensure that the floor or structure where the stack will take place is even and can withstand the weight
- Never install close to ignition or heat sources such as radiators, ovens or any other apparatus that produce heat
- Do not use or install the equipment near water or exposed to rain
- If the equipment is not functioning properly or has been damaged in any way, switch it off immediately
- Do not open or try to service the equipment. It may only be repaired by authorized, qualified personnel
- Clean the equipment using only a clean dry cloth
- Do not operate the unit for an extended period with the sound distorting

WARNINGS



CAUTION:

Never remove the cover, because otherwise there may be a risk of electric shock. There are no user serviceable parts inside. Have repairs carried out only by qualified service personnel.

The lightning flash with arrowhead symbol within an equilateral triangle is intended to alert the user to the presence of uninsulated "dangerous voltage" within the product's enclosure that may be of sufficient magnitude to constitute a risk of electrical shock.

The exclamation mark within an equilateral triangle is intended to alert the user to the presence of important operating and maintenance instructions.



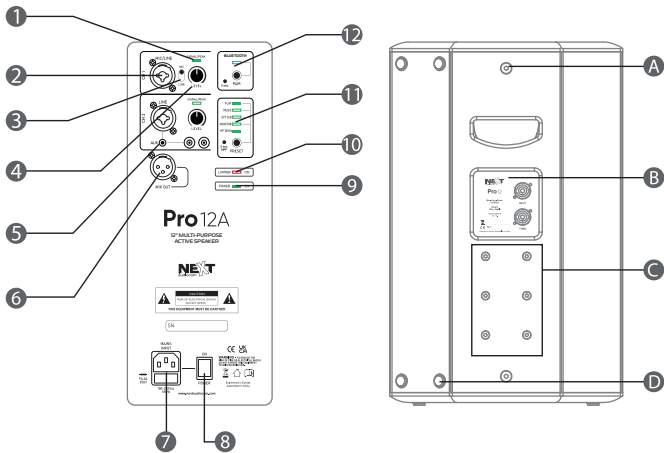
CAUTION:

This equipment is intended for professional use. Therefore, commercial use of this equipment is subject to the respectively applicable national accident prevention rules and regulations. As a manufacturer, NEXT Audiocom is obligated to notify you formally about the existence of potential health risks. Hearing damage due to high volume and prolonged exposure: When in use, this product is capable of producing high sound-pressure levels (SPL) that can lead to irreversible hearing damage in performers, employees, and audience members.

For this reason, avoid prolonged exposure to volumes in excess of 90dB.

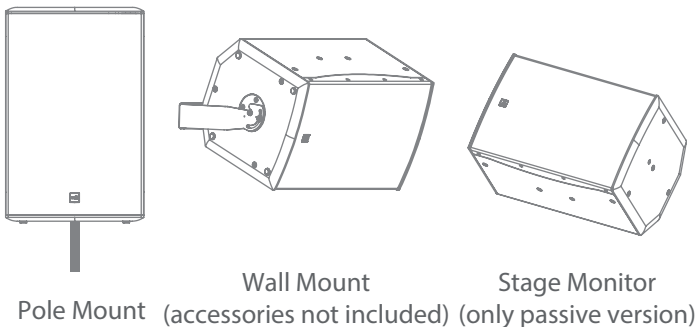
GETTING STARTED

PRO SERIES OVERVIEW



- 1 - Input Signal / Peak LED
- 2 - XLR / TRS 1/4" Combo Inputs
- 3 - MIC/LINE Selector
- Line is used for audio mixing console, audio playback device or electronic musical instrument
- 4 - Input Level
- 5 - AUX Input - 3.5mm audio jack / CD Player Input - RCA connector
- 6 - XLR Output
- 7 - Mains Power Input - IEC connector / Protection Fuse - F6.3A 250V
- 8 - Power On/Off Switch
- 9 - Power LED
- Blue - ON
- 10 - Output Limiter LED Indicator
- Red - Limiting
- 11 - Preset Selection Section
- 12 - Bluetooth Section
- LED State:
- Quick Blink - Unpaired / Solid - Paired / Slow Blink - Playing
- A - One of the 12 Hanging points (M8 threaded)
- B - Connections' Plate (SpeakON 4-pin connected to 1+/1-)
- C - Wall Bracket Bolts (only available on Pro12)
- D - Side Rubber Feet (only available on passive versions)

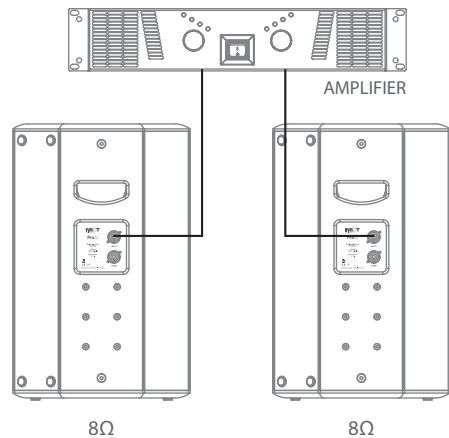
MULTI-PURPOSE FEATURE



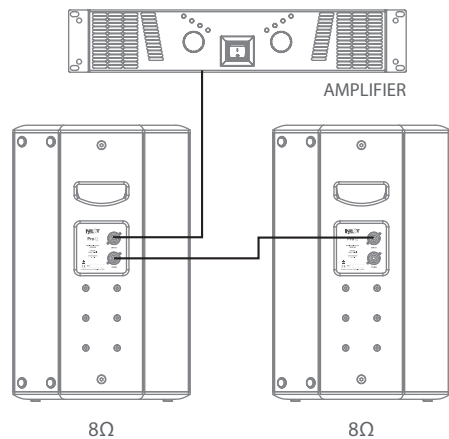
CONNECTIONS

PASSIVE VERSION

The NEXT Audiocom Pro Series speakers, in the passive version, have a nominal impedance of 8Ω. Use a Neutrik NL4 to connect the amplifier to the speaker. On the speaker side connect the wires to 1+/1-. To avoid speaker damage, be sure to deliver not more than 500W to Pro12 and 700W to Pro15.



Above is a stereo connection of the speakers to the amplifier. Below is a parallel connection of the speakers to the amplifier.

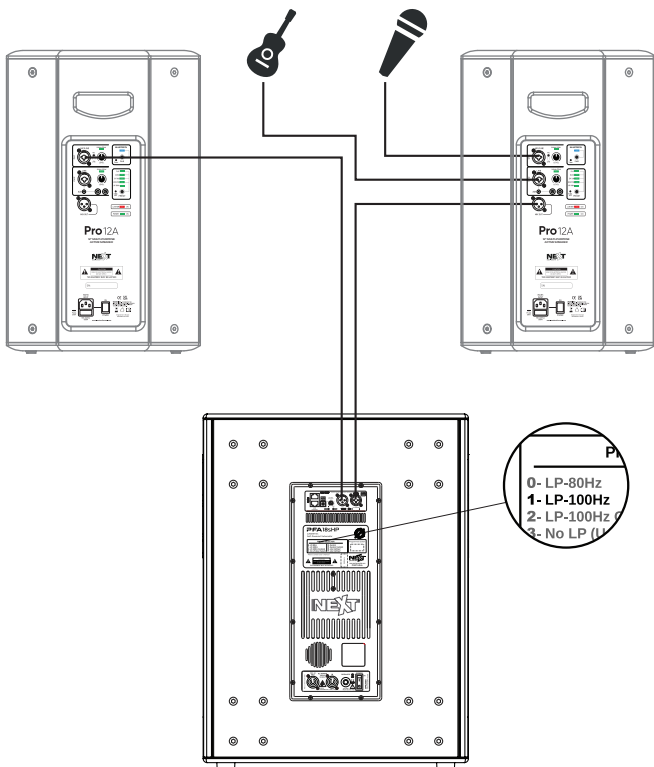


When connecting multiple speakers in parallel, be sure to follow the amplifier's specifications in relation to the minimum allowed impedance. Most amplifiers allow for a minimum 4Ω impedance which corresponds to two Pro Series speakers connected in parallel.

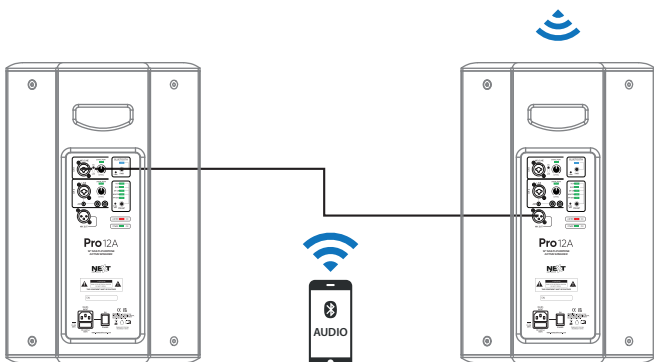
GETTING STARTED

ACTIVE VERSION

You can connect any instrument, microphone, CD Player or audio mixer to the active Pro Series input. The Pro speakers can be connected between each other using the "Mix Out" connector. An active external subwoofer can be added to extend the system frequency response.



You can use your mobile device to play wireless music, using the bluetooth technology, to one Pro speaker. The Pro speakers can be connected between each other using the "Mix Out" connector. An active external subwoofer can be added to extend the system frequency response connecting it as the example above.



PRESETS

PRESET LIST

FLAT - Speaker's Flat Response - use this preset in live performances for clarity of voice and instruments.

HF BOOST - Speaker's EQ for Long Distances - use this preset when long throw is needed or when used on very absorbent room (dead room).

MUSIC - Speaker's EQ for Music Reproduction - use this preset for recorded music playback and electronic dance music applications.

WALL - Speaker's EQ for Wall Applications - use this preset when the speaker is installed on the wall/ceiling using the wall bracket or U-Bracket.

HPF 100Hz - Speaker's High Pass Filter - use this preset to enable the HPF when using the speaker with a subwoofer. It will change the speaker's high pass filter to 100Hz Linkwitz-Riley 24dB/oct.

PRESET CHANGING PROCEDURE

1. Press the Preset button once to change the preset among Flat, HF Boost, Music and Wall.
2. Press and hold the Preset button for 2 seconds to activate the High Pass Filter (100Hz). All the presets can be used with or without HPF.

BLUETOOTH PAIRING/UNPAIRING

1. Press and hold the bluetooth pair button for 3 seconds. Now, the speaker is looking for bluetooth devices and the Bluetooth LED will start blinking quickly.
2. On your mobile device, select NEXT Pro12 or NEXT Pro15 to initiate the pairing process.
3. Once the device is paired, the Bluetooth LED will turn solid blue.
4. Play the audio from the mobile device. The Bluetooth LED will blink slowly during audio reproduction.

To unpair the speaker from the mobile device click once on the pair button.

To turn off the bluetooth on the speaker press and hold the pair button for 3 seconds.

HANDS-ON

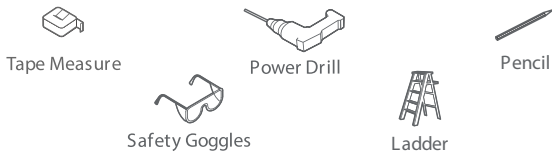
INSTALLATION

GENERAL CONSIDERATIONS

The NEXT Audiocom Pro Series speakers are ready to be installed in a variety of different environments and applications. Each speaker can be hanged using 12 different hanging points, U-bracket (not included), wall bracket (not included and only available on Pro12 passive version) and ceiling bracket (not included and only available on Pro12). **Remember to rotate the HF horn when installing the Pro Series horizontally** (see the instructions on page 6).

PREPARATION

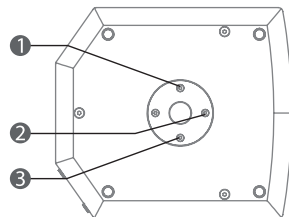
Listed below is the hardware equipment needed to install the Pro Series.



U-BRACKET INSTALL INSTRUCTIONS

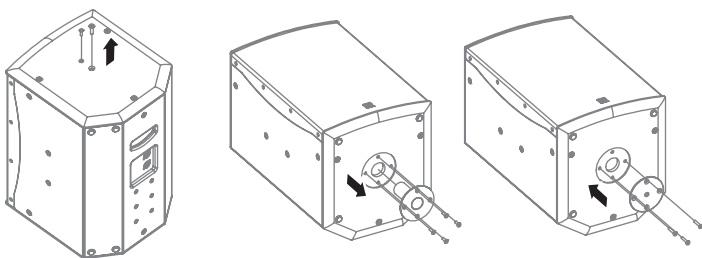
The U-Bracket has a total angle adjustment span of 115°. Depending on the adjustment bolt used, the final speaker's angle may vary.

1. 100° to -15°
2. 10° to -105°
3. -80° to -195°



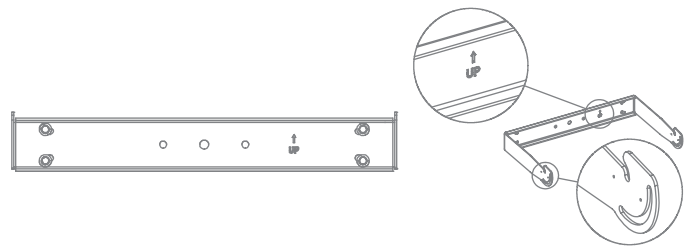
1.

Remove the two bolts from the top of the speaker. Remove the bolts from the pole flange and remove it. Install the new screw flange provided with the u-bracket and fasten 3 bolts (the selected adjustment bolt will be fastened later on).



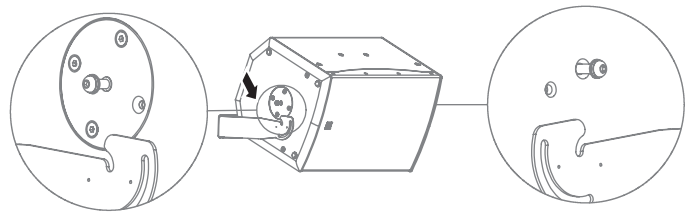
2.

Mount the U-bracket at a designated location on the wall or ceiling (when mounted horizontally on the wall, the UP arrow must be pointing upwards). The screws are inserted into the holes provided on the bracket. Use the correct fasteners for the surface on which the bracket is to be mounted.



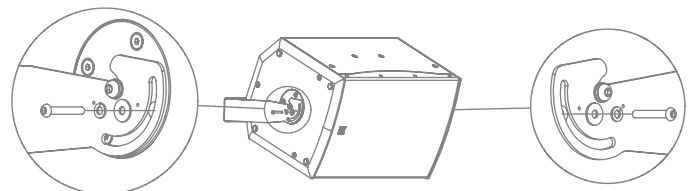
3.

Insert the large (M8) bolts into the center threaded holes (speaker's top and bottom). These should stay up just high enough so that the intended slot in the bracket can be hooked in.

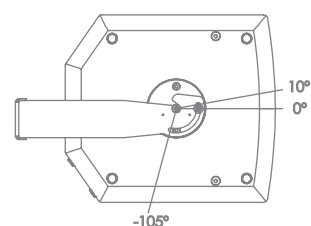


4.

Add the additional (small) safety/adjustment bolts and washers. This is placed in the rotation slot of the bracket. Do not totally fasten it.



Adjust the speaker angle and totally fasten the bolts.

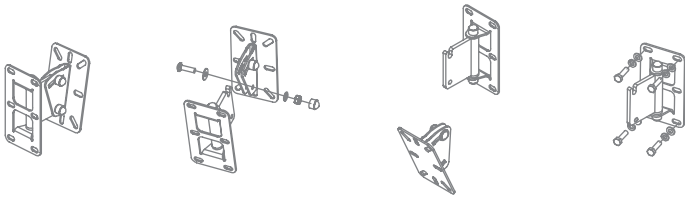


WALL BRACKET INSTALL INSTRUCTIONS

A two-axis wall bracket can be used on the Pro12 passive speaker. The adjustment angle span will vary according to the selected pan and tilt angles. The maximum tilt angle is -30° .

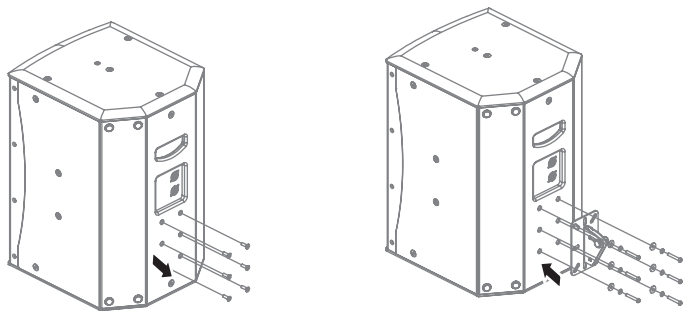
1.

Disassemble the wall bracket into the two main parts. Mount the bracket part at a designated location on the wall or ceiling. The screws are inserted into the holes provided on the bracket. Use the correct fasteners for the surface on which the bracket is to be mounted.



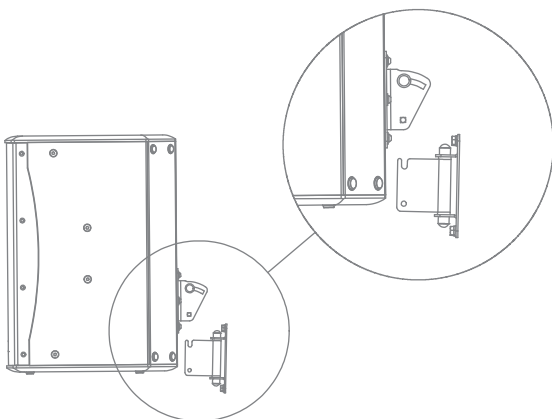
2.

Remove the 6 bolts from the speaker's back. Install the other part of the wall bracket.



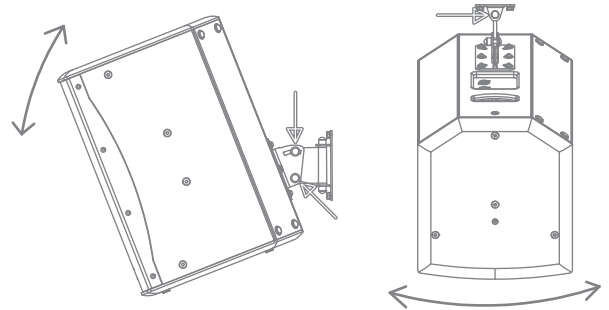
3.

Attach the speaker + wall bracket set into the already installed wall part. Insert the bolts but do not fully tighten them.



4.

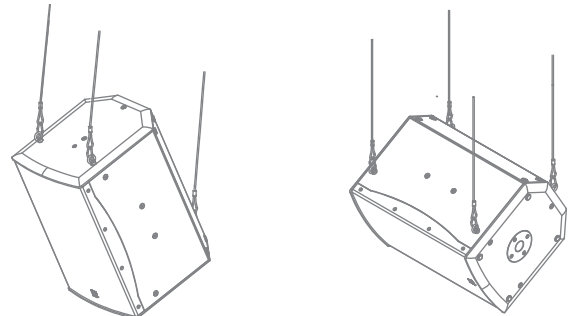
Adjust the pan and tilt angles and fully tighten the indicated bolts on the image.



SUSPENDED INSTALL INSTRUCTIONS

1.

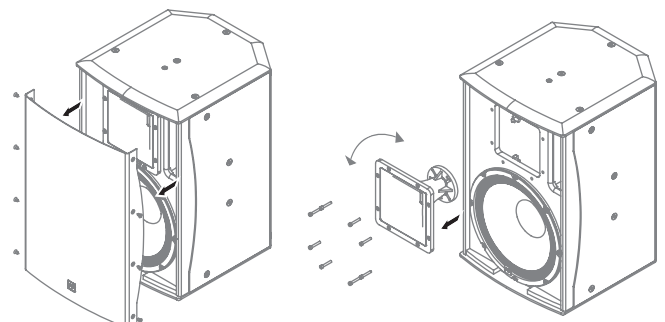
Remove the M8 bolts from the speaker where it's pretended to hang from. Insert the M8 eye bolts and fully tighten them. The speakers can be hanged vertically or horizontally. **Always use a safety cable.**



HF HORN ROTATION PROCEDURE

To maintain the original vertical and horizontal coverage of the speaker ($80^{\circ} \times 50^{\circ}$), when installing it horizontally, the high frequency horn must be rotated by 90° .

Remove the grill unscrewing the 4 screws on each side and pulling it out. Remove the 8 bolts from the horn, and pull it. Rotate the horn by 90° and reinstall it. Place the grill back on.



SERVICE

TROUBLESHOOTING

PASSIVE VERSION

Problem: No sound coming from the speaker

Action to Solution:

- Check volume levels on the amplifier and signal sources and the connections between them. If your amplifier has signal detection or measuring visuals, test if it is reacting to the signal source. If everything seems to be ok, connect another speaker known to be working to the amplifier. If it works, the wiring to the Pro Speaker may have problems.
- Check that you have the correct pair of wires connected to the speakers you are trying to work with. Look for signs of damage if possible and check that the wires are correctly mounted on the connector and the connector is correctly inserted on the speaker.

Problem: Little to no Bass

Action to Solution:

- This happens most of the times when two or more speakers near each other, are wired out of polarity. In this case low frequencies will cancel each other acoustically. Check that the "+" on the amplifier, is connected to the 1+ on the NL4 and the "-" marked on the amplifier terminal is connected to the 1- on the NL4.

ACTIVE VERSION

Problem: Buzzing, hissing or humming

Action to Solution:

- If there is noise and no program material is playing, check your entire signal chain for the bad component. It can also be a matter of poor grounding or a ground loop. Check and correct the system grounding.

Problem: No sound from microphone on CH1

Action to Solution:

- Check if the microphone is a condenser one. If it is, change to a dynamic one or use an external phantom power for condenser microphones.

Problem: Sound is distorting with PEAK led OFF

Action to Solution:

- Reduce the level from the audio source, such as the mixer, increase the level on the input potentiometer.

Problem: Sound is distorting with PEAK led mostly ON

Action to Solution:

- Reduce the level on the input or audio source

Problem: Too much low end when installed on wall or ceiling

Action to Solution:

- Due to wall and/or ceiling reflections the bass response is increased. To linearize the low end, select the Wall preset.

Problem: Poor high frequency response

Action to Solution:

- Probably the room is too absorbent or you are listening from a long distance. To increase the HF frequency response, select the HF Boost preset.

Problem: Poor low frequency response

Action to Solution:

- Probably the High-Pass Filter is enabled. Press and hold the PRESET button for two seconds to disable de HPF.

WARRANTY POLICY

NEXT Audiocom products are warranted, by NEXT Audiocom, against manufacturing defects in materials or craftsmanship over a period of 2 years counting from the date of original purchase for final costumer. The original receipt of purchase is mandatory for warranty validation purposes, and the product must have been bought from a NEXT Audiocom authorized dealer. The warranty can be transferred to a subsequent owner during the warranty period, however, this cannot extend the warranty period beyond the original warranty period of two years from the original date of purchase stated on the NEXT Audiocom's invoice. During the warranty period NEXT Audiocom will, at its own discretion, either repair or replace a product which prove to be defective provided that the product is returned in its original packaging, shipping prepaid, to an authorized NEXT Audiocom service agent or distributor. NEXT Audiocom cannot be held responsible for defects caused by unauthorized modifications, improper use, negligence, exposure to inclement weather conditions, act of God or accident, or any use of this product that is not in accordance with the instructions provided by this manual and/or NEXT Audiocom. NEXT Audiocom is not liable for consequential damages. This warranty is exclusive, and no other warranty is expressed or implied. This warranty does not affect your statutory rights.

SIMPLIFIED EU DoC

Hereby, CVA ELECTRONICA, LDA declares that this equipment type is in compliance with the mandatory directives for the CE certification. The full text of the EU declaration of conformity is available at the following internet address:
www.nextaudiogroup.com/en/apoio-ao-cliente/downloads

CORRECT DISPOSAL



When the Pro series speakers are to be definitively discarded, take the product to a local recycling plant for a disposal which is not harmful to the environment. This equipment should not be treated as general household waste. Devices marked with this symbol must not be disposed of as household waste. For more information, please contact your retailer or local authorities.

TECHNICAL SPECIFICATIONS

PRO 12

Product Type: 2-Way Professional Passive Speaker
Frequency Response (-6dB): 52Hz - 20kHz
Nominal Coverage: 80° H x 50° V (User Rotatable)
Program Power: 500W
Nominal Impedance: 8Ω
Sensitivity (1W, 1m): 97dB
Maximum SPL (Calculated): 124dB / 127dB
LF Driver: 12" Woofer | 2.5" Voice Coil
HF Driver: 1" Titanium Driver | 1.7" Voice Coil
Input Connectors: 2 x NL4 SpeakON (compatible)
Construction: Plywood with Polyurea Coating
Grille: Powder Coated Steel Grille with Acoustical Foam
Net Weight: 19kg (41.9lb)
Shipping Weight: 22kg (48.5lb)

PRO 15

Product Type: 2-Way Professional Passive Speaker
Frequency Response (-6dB): 48Hz - 20kHz
Nominal Coverage: 80° H x 50° V (User Rotatable)
Program Power: 700W
Nominal Impedance: 8Ω
Sensitivity (1W, 1m): 98dB
Maximum SPL (Calculated): 126.5dB / 129.5dB
LF Driver: 15" Woofer | 3" Voice Coil
HF Driver: 1" Titanium Driver | 1.7" Voice Coil
Input Connectors: 2 x NL4 SpeakON (compatible)
Construction: Plywood with Polyurea Coating
Grille: Powder Coated Steel Grille with Acoustical Foam
Net Weight: 26.5kg (58.4lb)
Shipping Weight: 30kg (66.1lb)

PRO 12A

Product Type: 2-Way Professional Active Speaker
Frequency Response (-6dB): 46Hz - 20kHz
Nominal Coverage: 80° H x 50° V (User Rotatable)
Amplifier Power: RMS: 800W | Peak: 1400W
Audio Signal Inputs: Bluetooth | Microphone | Instrument | CD Player | AUX

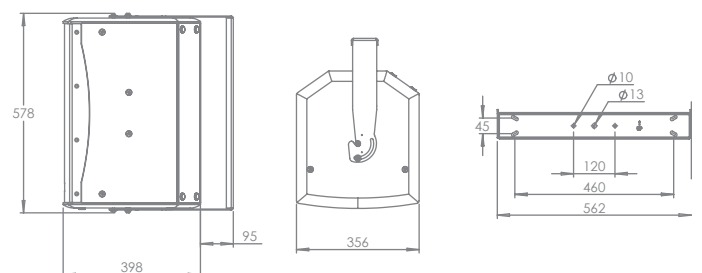
Maximum SPL (Calculated): 122dB / 128dB
LF Driver: 12" Woofer | 2.5" Voice Coil
HF Driver: 1" Titanium Driver | 1.7" Voice Coil
Input Connectors: 2 x XLR / TRS combo | 1 x 3.5mm Stereo Jack | 1 x Stereo RCA
Output Connectors: 1 x XLR
Construction: Plywood with Polyurea Coating
Grille: Powder Coated Steel Grille with Acoustical Foam
Net Weight: 20kg (44.1lb)
Shipping Weight: 23kg (50.7lb)

PRO 15A

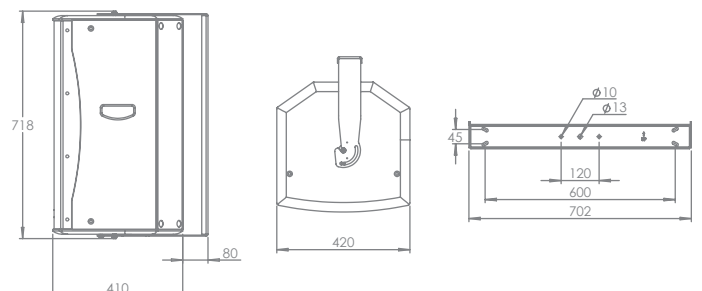
Product Type: 2-Way Professional Active Speaker
Frequency Response (-6dB): 42Hz - 20kHz
Nominal Coverage: 80° H x 50° V (User Rotatable)
Amplifier Power: RMS: 800W | Peak: 1400W
Audio Signal Inputs: Bluetooth | Microphone | Instrument | CD Player | AUX
Maximum SPL (Calculated): 124dB / 130dB
LF Driver: 15" Woofer | 3" Voice Coil
HF Driver: 1" Titanium Driver | 1.7" Voice Coil
Input Connectors: 2 x XLR / TRS combo | 1 x 3.5mm Stereo Jack | 1 x Stereo RCA
Output Connectors: 1 x XLR
Construction: Plywood with Polyurea Coating
Grille: Powder Coated Steel Grille with Acoustical Foam
Net Weight: 27.5kg (60.6lb)
Shipping Weight: 31kg (68.34lb)

TECHNICAL DRAWINGS

PRO 12 + U-BRACKET DIMENSIONS



PRO 15 + U-BRACKET DIMENSIONS



 Rua da Venda Nova, 295 | 4435-469 Rio Tinto, Portugal

 info@nextaudiocom.com

 www.nextaudiocom.com

 [instagram.com/next.audiocom](https://www.instagram.com/next.audiocom)

 [facebook.com/nextaudiocom](https://www.facebook.com/nextaudiocom)

NEXT
audiocom